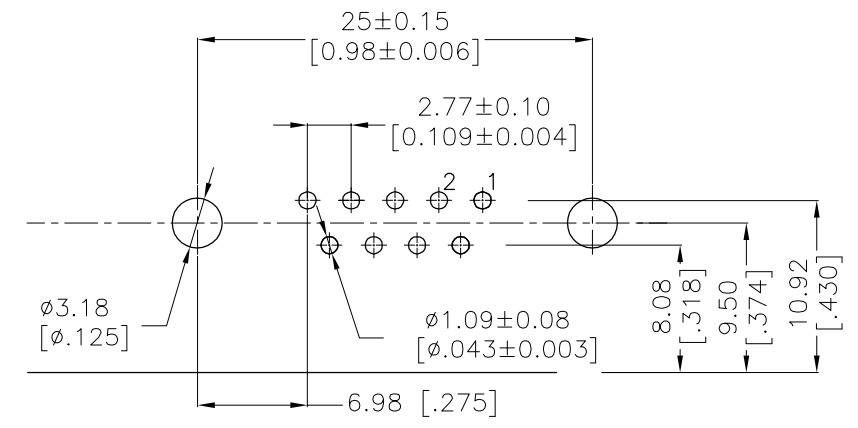


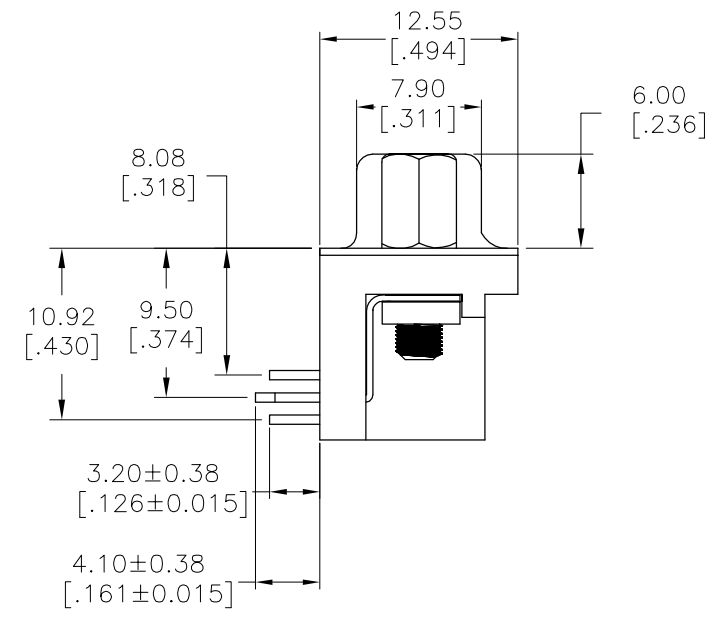
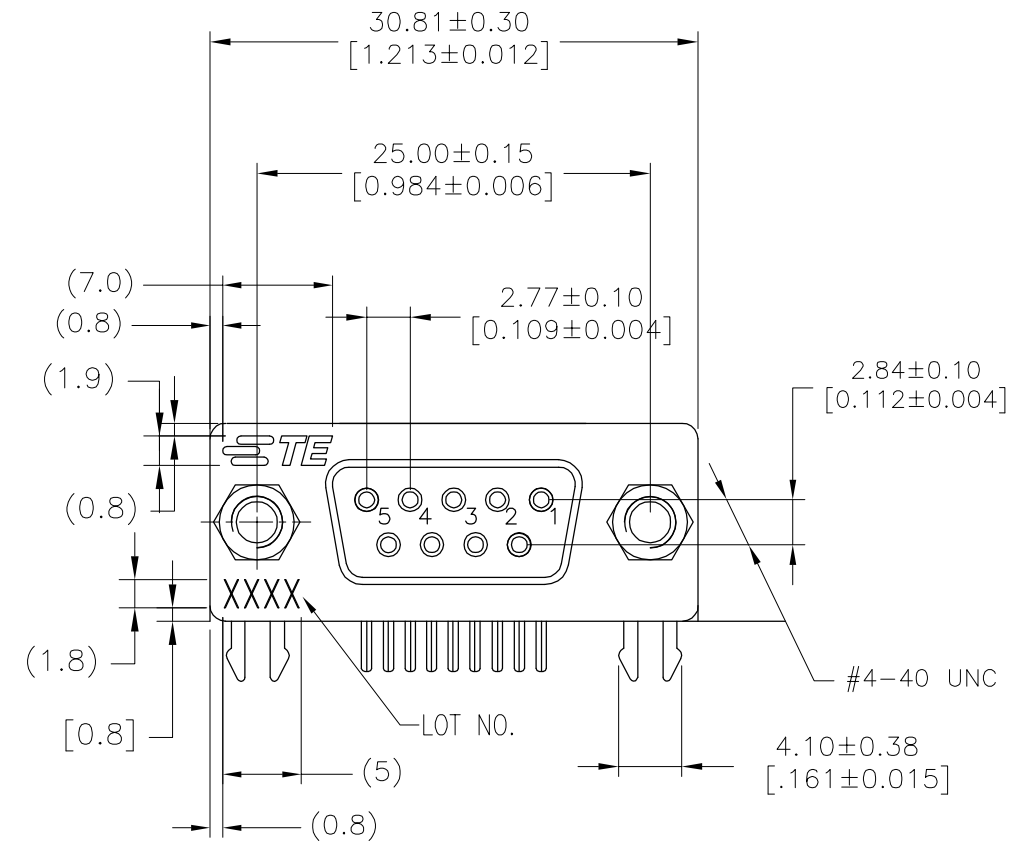
REVISIONS				
P	LTR	DESCRIPTION	DATE	APVD
D		REVISED PER ECO-18-008015	24MAY2018	AP DG

RECOMMENDED PCB LAYOUT  
 TOLERANCE IS ±0.05



NOTES:

- HOUSING:PA9T+GF(UL94V-0) BLACK
- CONTACT:PHOSPHOR BRONZE
- " GOLD PLATING ON CONTACT AREA
- 100u" MATTE TIN PLATING ON SOLDER TAIL
- 50u" NICKEL UNDERPLATED OVERALL
- HOLDDOWN:BRASS,100u" TIN OVER 50u" NICKEL
- SHELL:SPCC,NICKEL PLATED
- RIVET:BRASS,NICKEL PLATED
- SCREWLOCK:BRASS,NI PLATED
- LOT NUMBER "XXXX"
  - STANDS FOR CALENDAR YEAR
  - STANDS FOR WEEK NUMBER



YES	15µAu	2311765-2
YES	Au Flash	2311765-1
SCREWLOCK	Contact Area Plating	P/N

THIS DRAWING IS A CONTROLLED DOCUMENT.		DWN AJITH PAI 22FEB2017	TE Connectivity	
DIMENSIONS: mm [INCHES]		CHK DANIEL GORENC 22FEB2017		
TOLERANCES UNLESS OTHERWISE SPECIFIED:		APVD DANIEL GORENC 22FEB2017	NAME AMPLIMITE RECEPTACLE, HD20, RIGHT ANGLE, 9P	
0 PLC ± - 1 PLC ± - 2 PLC ± 0.25 3 PLC ± - 4 PLC ± - ANGLES ± - FINISH -		PRODUCT SPEC 108-130023	APPLICATION SPEC	
MATERIAL		WEIGHT	SIZE A2	CAGE CODE 00779
			DRAWING NO C-2311765	RESTRICTED TO
		CUSTOMER DRAWING	SCALE 3:1	SHEET 1 of 1
			REV D	

## X-ON Electronics

Largest Supplier of Electrical and Electronic Components

*Click to view similar products for [D-Sub Standard Connectors](#) category:*

*Click to view products by [TE Connectivity](#) manufacturer:*

Other Similar products are found below :

[56F711-015](#) [012-9507-004](#) [LV242999-142T12](#) [015-0341-000](#) [015-0372-005](#) [015-0372-008](#) [015-8755-001](#) [020419-0104](#) [012-0467-000](#) [012-0515-000](#) [012-9507-034](#) [012-9507-114](#) [020745-0008](#) [609-25P](#) [M24308/2-23Z](#) [CT2-14S-2PCA34](#) [CT2-18-11PCAU](#) [CT2-36-15SC](#) [CT6-10SL-3SC](#) [CT6-10SL-4SC](#) [CT6-14S-2SC](#) [CT6E14SA7SC](#) [M83513/01-FC](#) [M83723/76W24619 L/C](#) [M85049/48-3-2F](#) [6STD09PCM99B70X](#) [6STD09SCM99B30X](#) [6STD09SCT99S40X](#) [6STD15PCT99S40X](#) [6STD15SCM99B30X](#) [6STD15SCT99S40X](#) [6STF09PCM05B70X](#) [7-135760-9](#) [MC11E-10-6SN](#) [747552-3](#) [MD1-21PS](#) [MDM-15SCBRM7-F222](#) [MDM96517-699](#) [MDM96521-744](#) [MDVB1-21SL1](#) [MIK0-1-7SH003](#) [MIKQ6-7SH076](#) [MIKQ7-7PH077](#) [MIKQ7-7PH11](#) [MIKQ7-7PH32](#) [MJSV-28SL61](#) [MKJ4A1F14-55S](#) [8-135760-3](#) [8STD09PCM99B30X](#) [PG-KV/PV-16-GROM-SEALING](#)