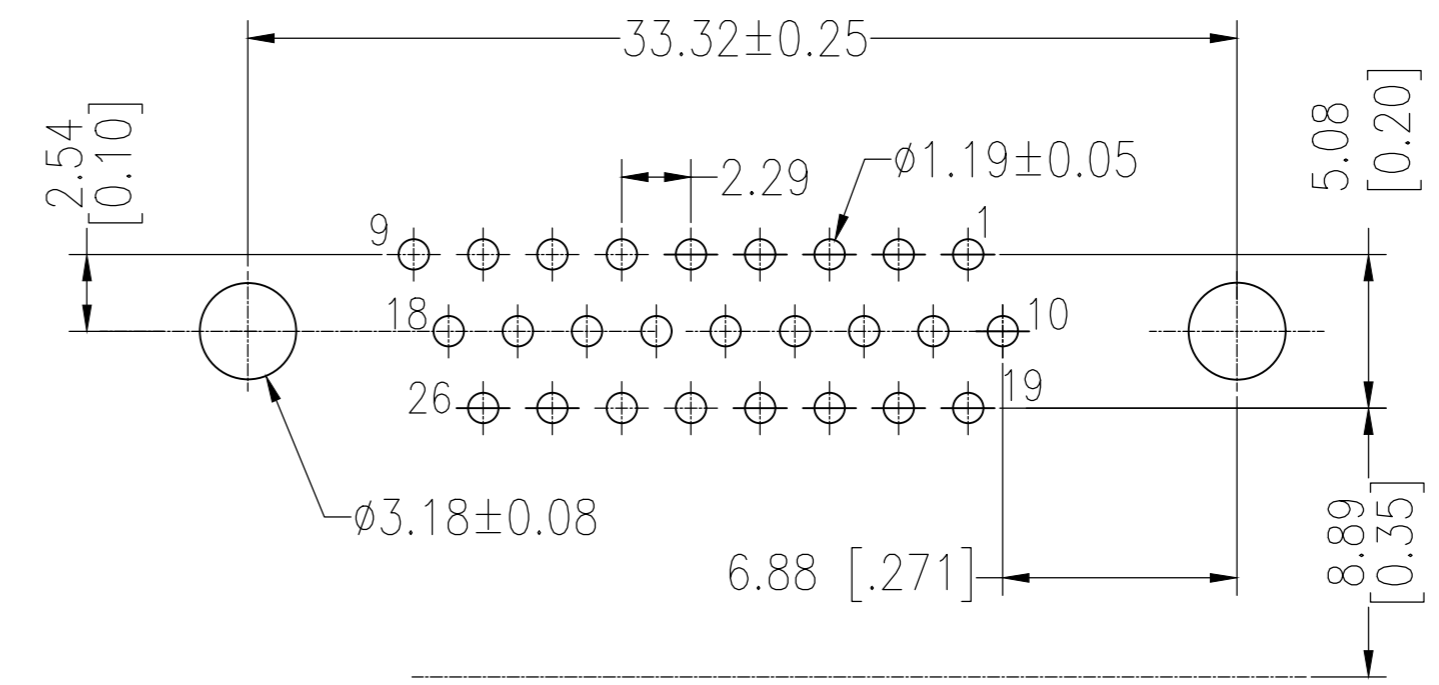
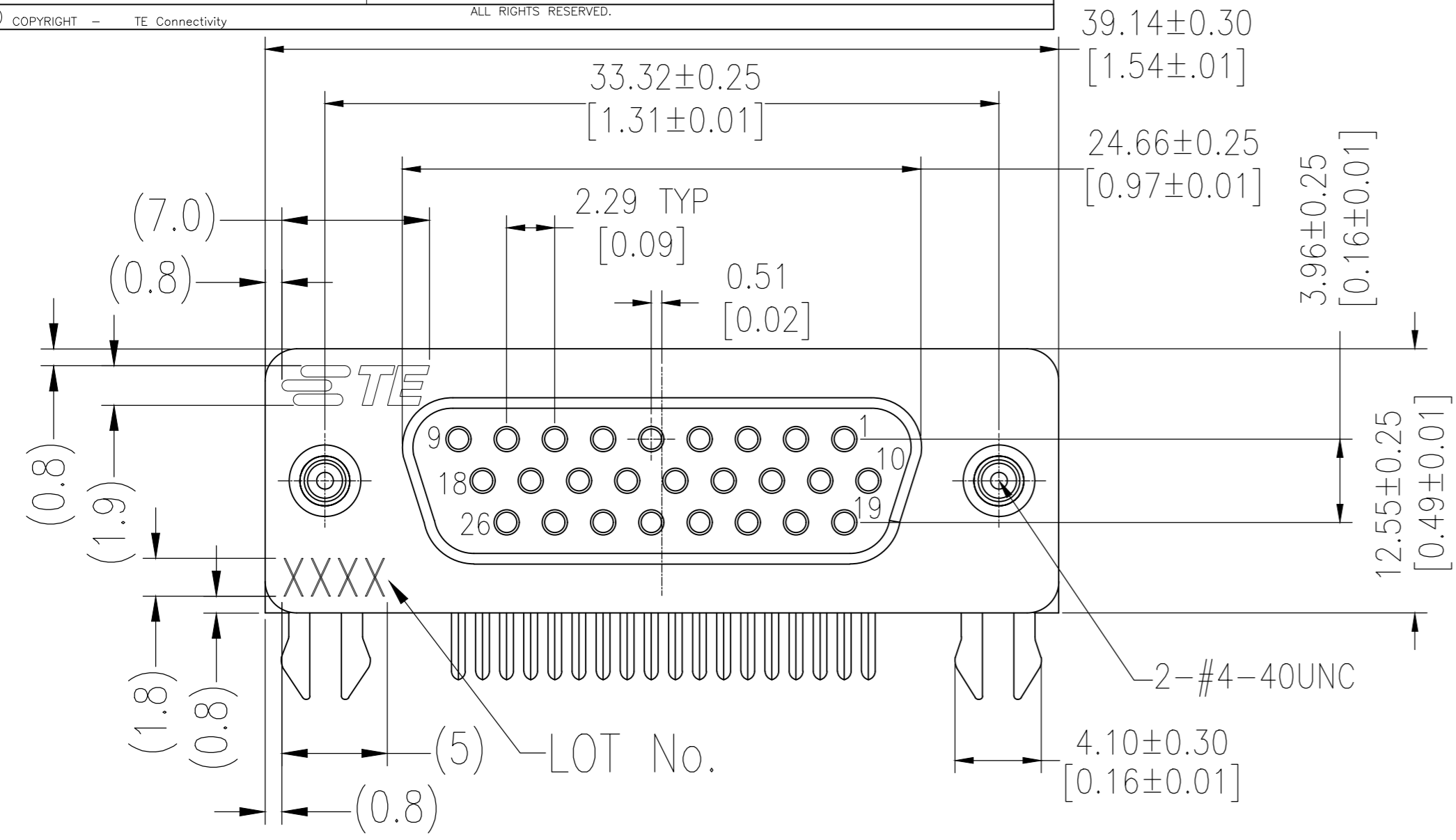


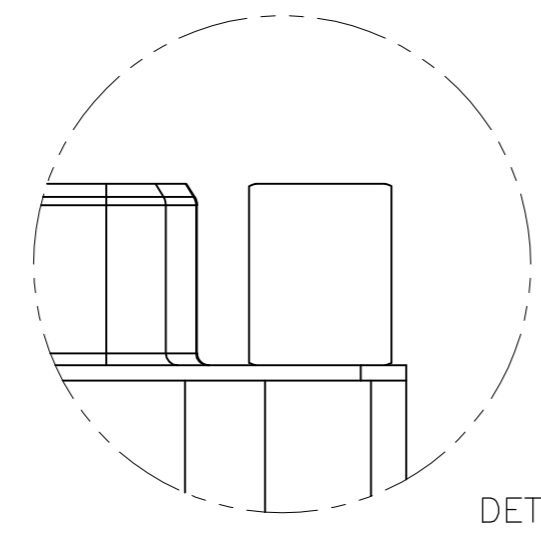
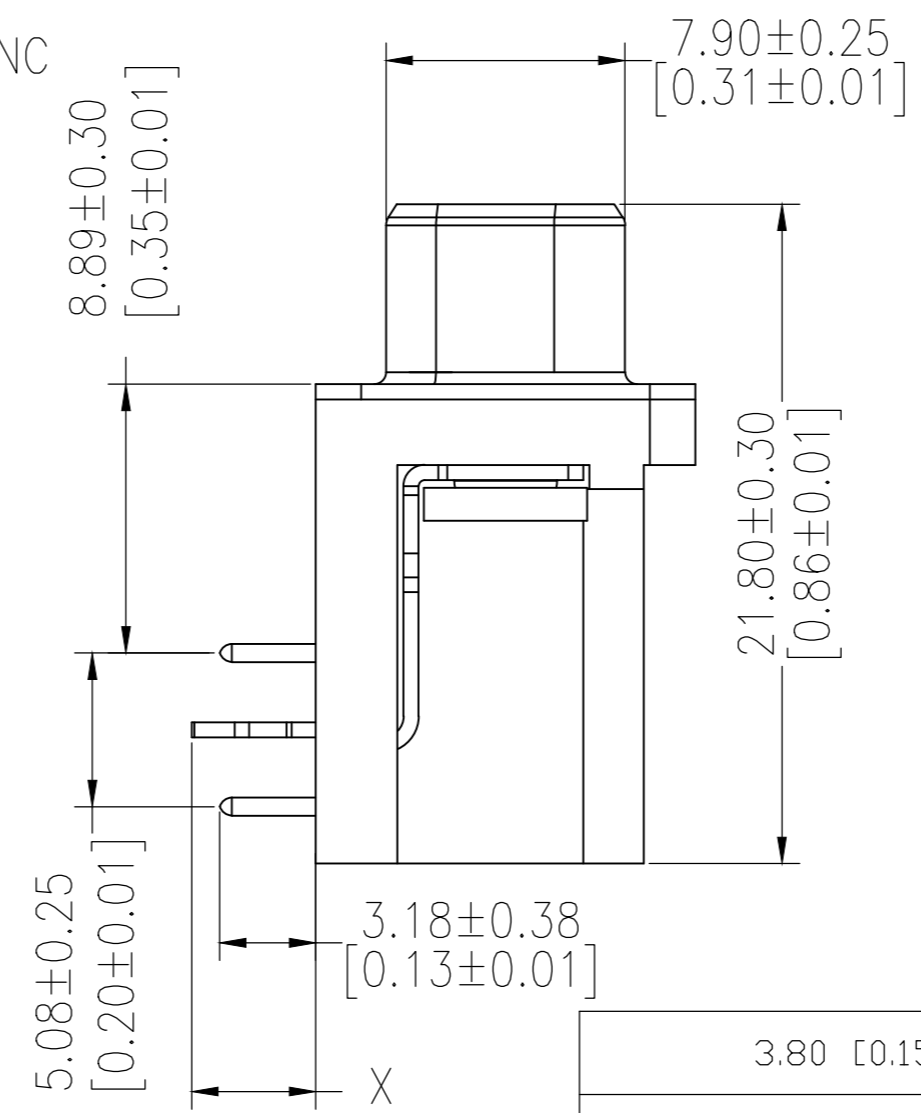
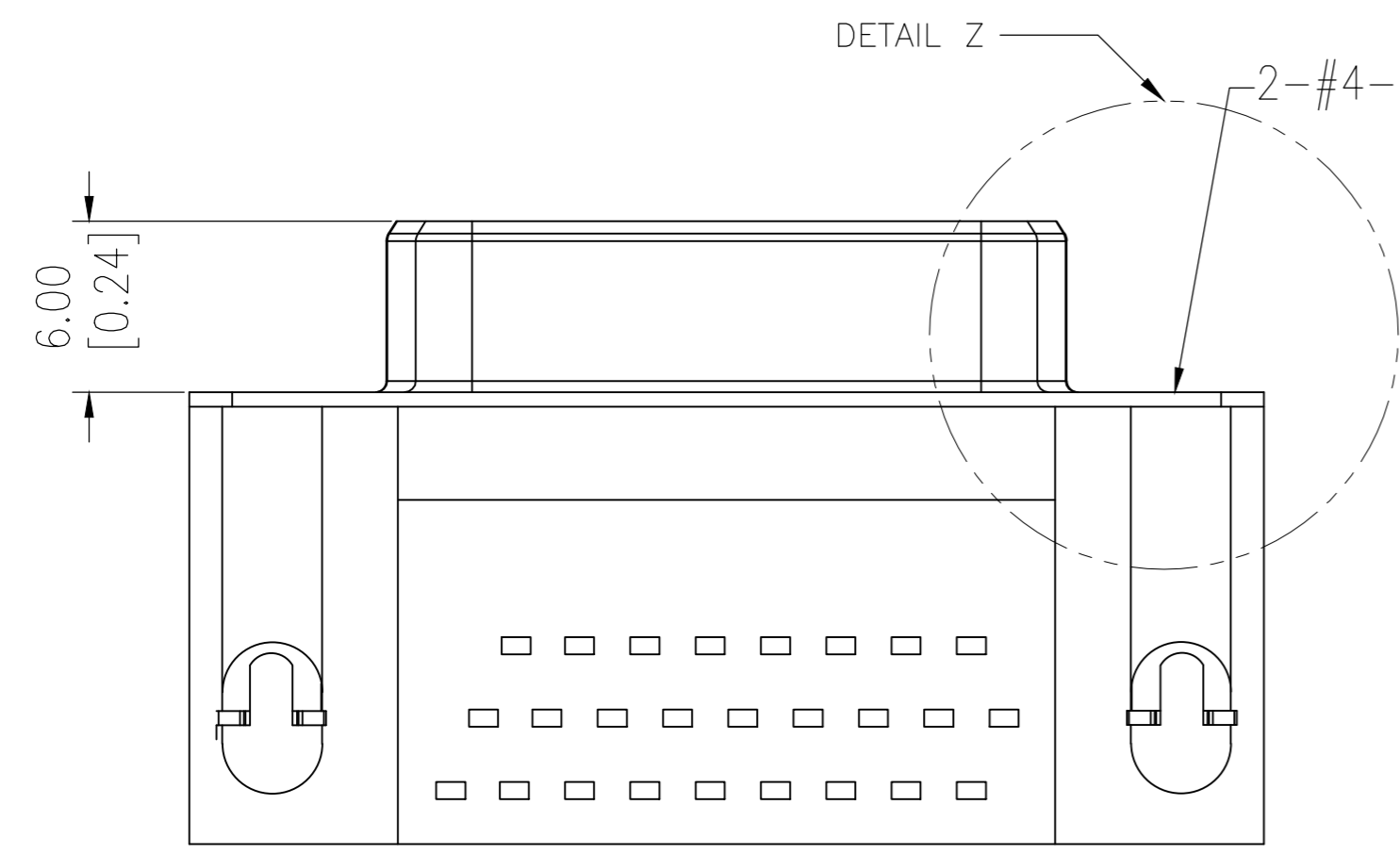
THIS DRAWING IS UNPUBLISHED. RELEASED FOR PUBLICATION
 © COPYRIGHT - TE Connectivity ALL RIGHTS RESERVED.

REVISIONS				
P	LTR	DESCRIPTION	DATE	APVD
E		REVISED PER ECO-18-008015	24MAY2018	AP DG

Recommended P.C.B Layout(Top Side)
 (PCB BOARD TOLERANCE±0.05)



NOTES:
 Insulator:PBT+G.F UL94V-0 BLACK
 Contact:PHOSPHOR BRONZE
 " GOLD PLATING ON CONTACT AREA
 100u" MATTE TIN PLATING ON SOLDER TAIL
 50u" NICKEL UNDERPLATED OVERALL
 Holddown:Brass,100u" TIN OVER 50u" NICKEL
 Sheel: Cold Roller Steel,Ni Plated
 Rivetlock:Brass,Nickel Plated
 LOT NUMBER "XXXX"
 -Stands For Calendar Year
 -Stands For Week Number



3.80 [0.150]	YES SEE DETAIL Z	30μ" Au	2311768-2
4.10 [0.161]	THREADED	30μ" Au	2311768-1
X ± 0.30 [± 0.012]	SCREWLOCK	Contact Area	P/N
BOARDLOCK LENGTH		Plating	

THIS DRAWING IS A CONTROLLED DOCUMENT.		DWN 11MAR2017 AJITH PAI	STE TE Connectivity	
DIMENSIONS: mm		CHK 11MAR2017 DANIEL GORENC		
TOLERANCES UNLESS OTHERWISE SPECIFIED:		APVD 11MAR2017 DANIEL GORENC	NAME AMPLIMITE RECEPTACLE, HD22, RIGHT ANGLE, 26P	
0 PLC ± -		PRODUCT SPEC 108-130023	SIZE CAGE CODE DRAWING NO RESTRICTED TO	
1 PLC ± -		APPLICATION SPEC	A2 00779 C=2311768	
2 PLC ± 0.25			SCALE 1:1 SHEET 1 OF 1 REV E	
3 PLC ± -				
4 PLC ± -				
ANGLES ± -				
MATERIAL -	FINISH -	WEIGHT -		
		CUSTOMER DRAWING		

X-ON Electronics

Largest Supplier of Electrical and Electronic Components

Click to view similar products for [D-Sub High Density Connectors](#) category:

Click to view products by [TE Connectivity](#) manufacturer:

Other Similar products are found below :

[1484349-1](#) [163A16769X](#) [163A16809X](#) [163A17089X](#) [164A17199X](#) [164A17209X](#) [164A17479X](#) [164A18209X](#) [17BH-044S-AA110](#) [K86X-AD-26S](#) [KF66X-A26P-NJ](#) [KF66X-E15P-N](#) [241A17320X](#) [242A18390X](#) [242A25740X](#) [L717HDB44POL2R210](#) [L717HDCH62POL2RM5](#) [L717HDEH15POL2](#) [L777HDE15P](#) [L77HDC62S](#) [L77HDE15SC309](#) [163A16779X](#) [163A16839X](#) [163A17049X](#) [163A17079X](#) [164A17309X](#) [164A17329X](#) [164A18219X](#) [241A16440X](#) [241A16550X](#) [241A16680X](#) [241A17390X](#) [241A20810X](#) [241A25740X](#) [CT25-44P](#) [K66X-E15S-N30](#) [K86X-BA-44S](#) [K86X-ED-15S-BR15](#) [K86X-ED-15SK](#) [L177HDE15SOL2RM23](#) [L177HRC62S](#) [L177HRC62SVFM](#) [L177HRCG62S](#) [L717HDBH44POL2RM5](#) [L717HDEG15POL2RM5](#) [L77HDA26SVF](#) [L77HDE15SD1CO](#) [L77HDEH15SOL2RM832](#) [DAMA-15S-WS](#)
[443895-3](#)