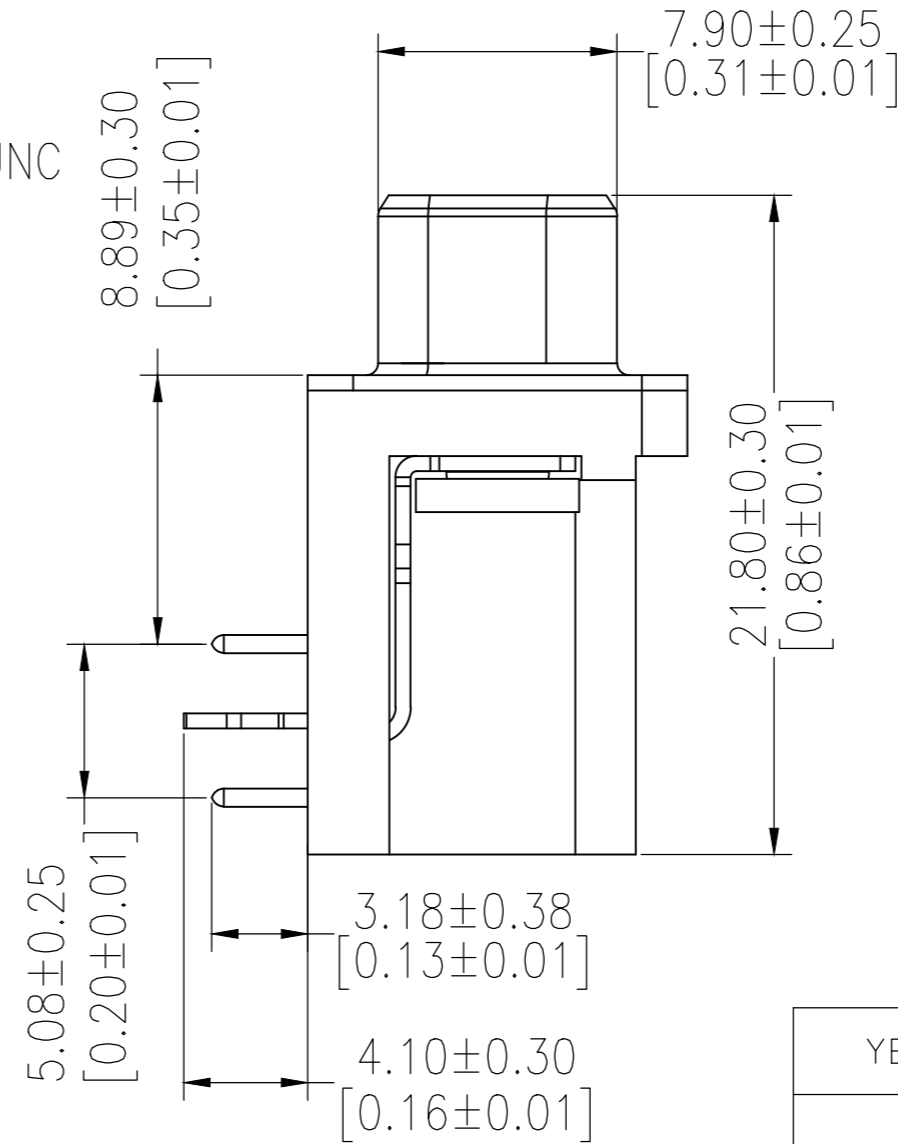
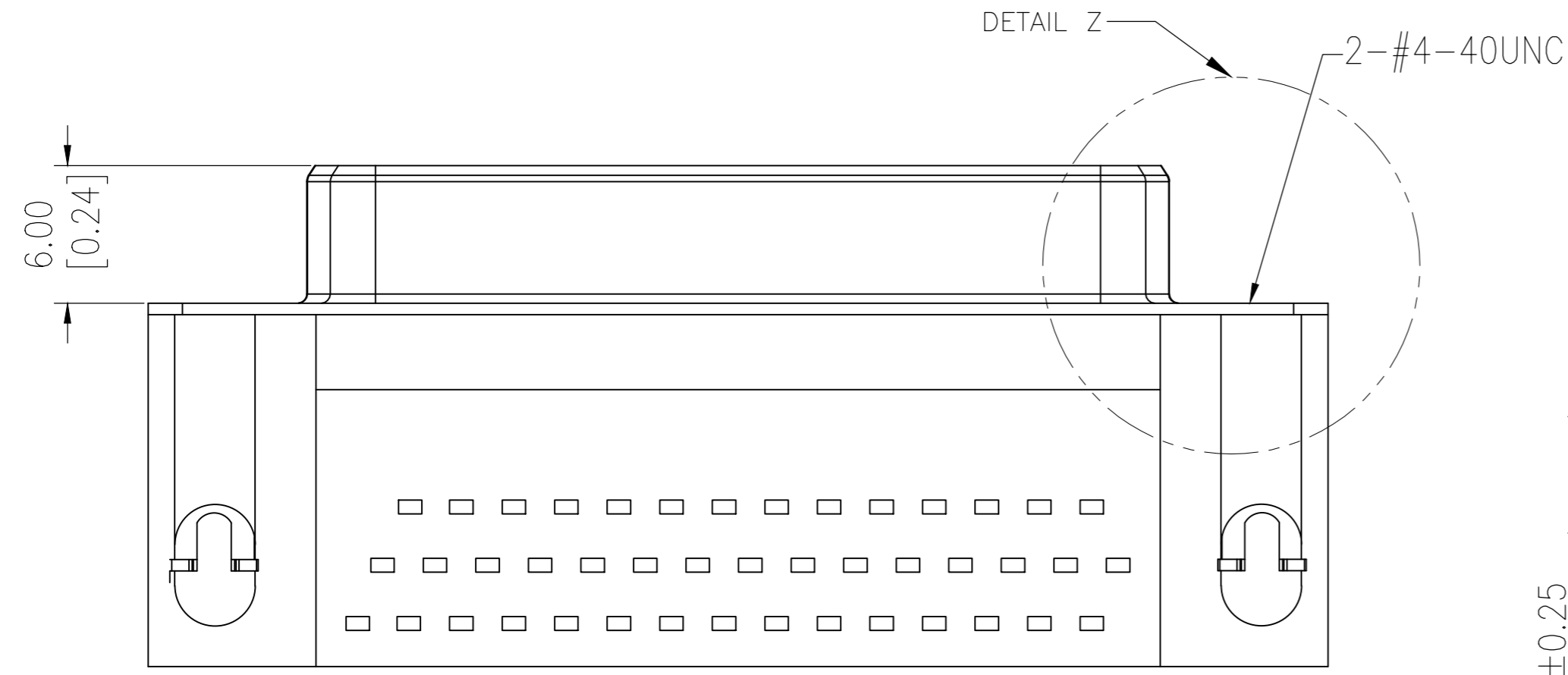
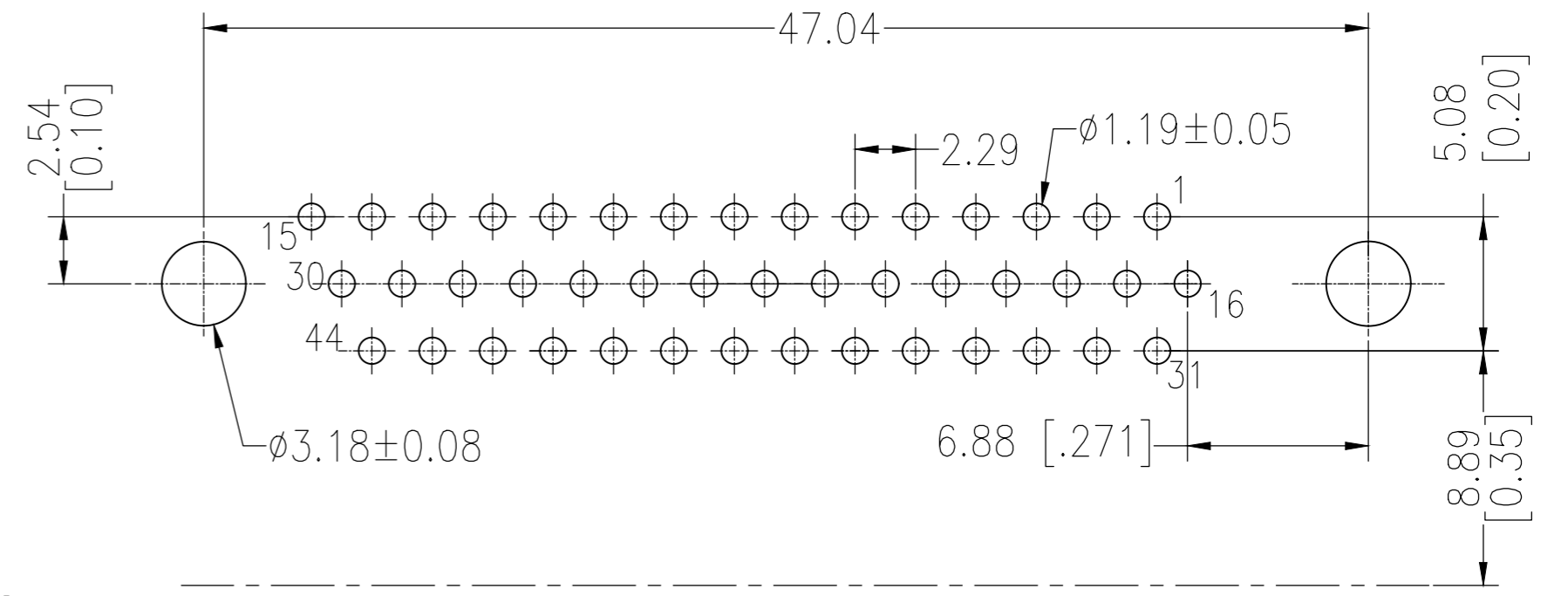
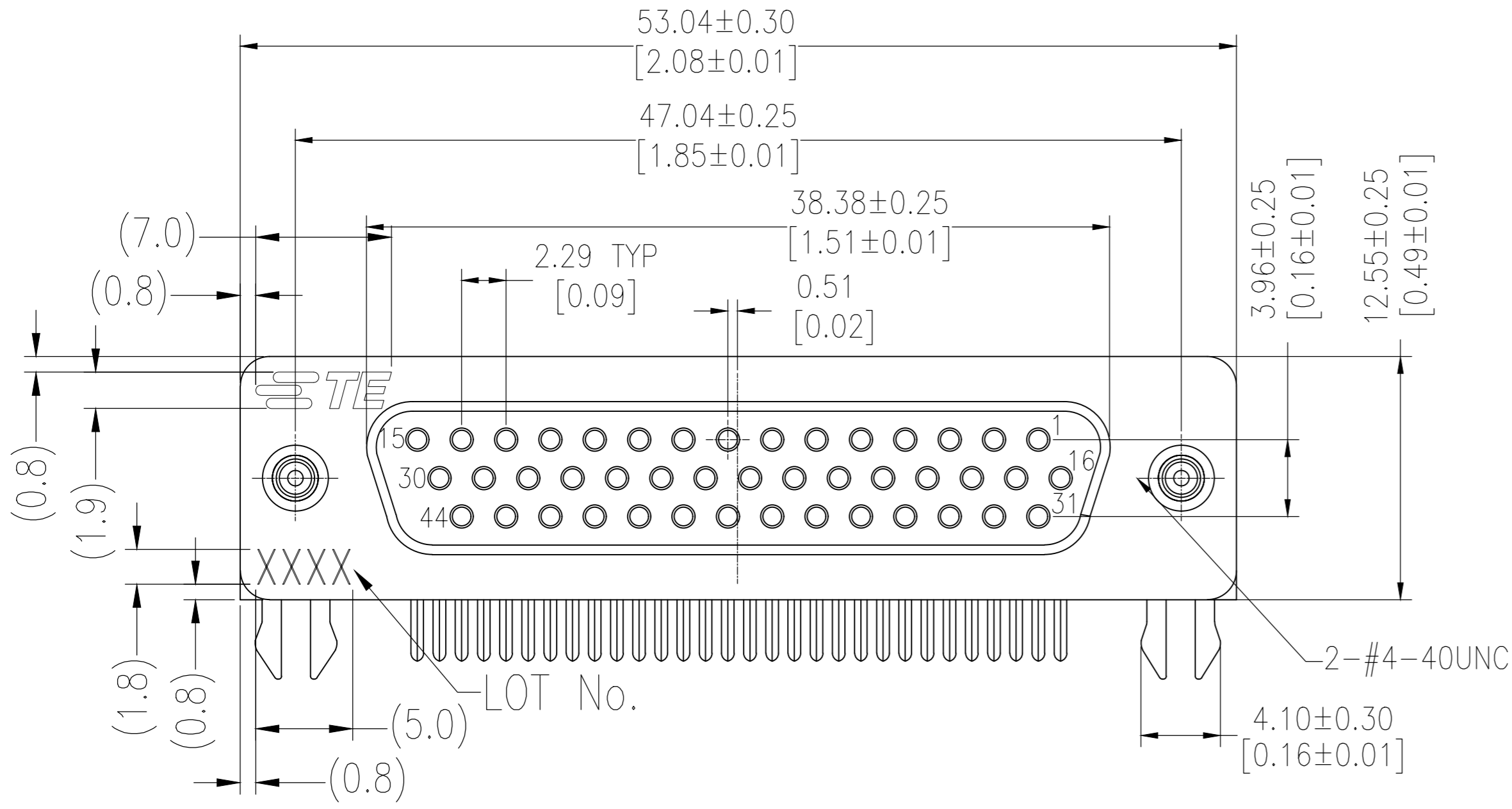


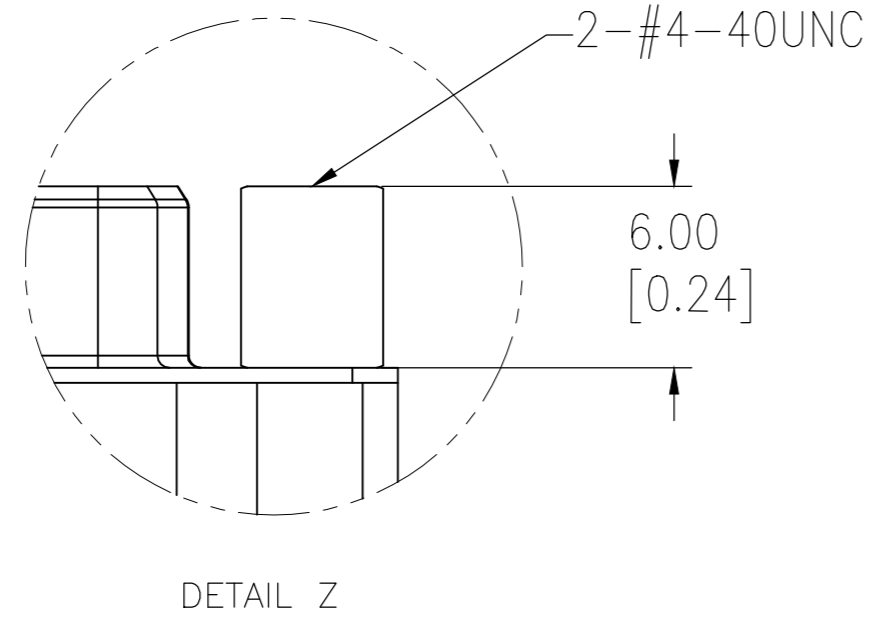
THIS DRAWING IS UNPUBLISHED. RELEASED FOR PUBLICATION  
 © COPYRIGHT - TE Connectivity ALL RIGHTS RESERVED.

| REVISIONS |     |                           |           |     |      |
|-----------|-----|---------------------------|-----------|-----|------|
| P         | LTR | DESCRIPTION               | DATE      | DWN | APVD |
| E         |     | REVISED PER ECO-18-008015 | 24MAY2018 | AP  | DG   |

Recommended P.C.B Layout(Top Side)  
 (PCB BOARD TOLERANCE±0.05)



NOTES:  
 Insulator:PBT+G.F UL94V-0 BLACK  
 Contact:PHOSPHOR BRONZE  
 " GOLD PLATING ON CONTACT AREA  
 100u" MATTE TIN PLATING ON SOLDER TAIL  
 50u" NICKEL UNDERPLATED OVERALL  
 Holddown:Brass,100u" TIN OVER 50u" NICKEL  
 Sheel: Cold Roller Steel, Ni Plated  
 Rivetlock: Brass, Nickel Plated  
 LOT NUMBER "XXXX"  
 Stands For Calendar Year  
 Stands For Week Number



|                  |              |           |
|------------------|--------------|-----------|
| YES SEE DETAIL Z | 15µ" Au      | 2311770-2 |
| THREADED         | 30µ" Au      | 2311770-1 |
| SCREWLOCK        | Contact Area | P/N       |
|                  | Plating      |           |

|  |             |                                    |  |                    |
|--|-------------|------------------------------------|--|--------------------|
| THIS DRAWING IS A CONTROLLED DOCUMENT. |             | DWN<br>AJITH PAI<br>13MAR2017      | TE Connectivity                                      |                    |
| DIMENSIONS:<br>mm                      |             | CHK<br>DANIEL GORENC<br>13MAR2017  | NAME<br>AMPLIMITE RECEPTACLE, HD22, RIGHT ANGLE, 44P |                    |
| TOLERANCES UNLESS OTHERWISE SPECIFIED: |             | APVD<br>DANIEL GORENC<br>13MAR2017 | DRAWING NO<br>-                                      |                    |
| 0 PLC ± -                              | 1 PLC ± -   | PRODUCT SPEC<br>108-130023         | RESTRICTED TO<br>-                                   |                    |
| 2 PLC ± 0.25                           | 3 PLC ± -   | APPLICATION SPEC<br>-              | SIZE<br>A2   | CAGE CODE<br>00779 |
| 4 PLC ± -                              | ANGLES ± -  | WEIGHT<br>-                        | SCALE<br>1:1   | SHEET<br>1 OF 1    |
| MATERIAL<br>-                          | FINISH<br>- | CUSTOMER DRAWING                   | SCALE<br>1:1   | REV<br>E           |

## X-ON Electronics

Largest Supplier of Electrical and Electronic Components

*Click to view similar products for [D-Sub High Density Connectors](#) category:*

*Click to view products by [TE Connectivity](#) manufacturer:*

Other Similar products are found below :

[97-3250-11](#) [163A17089X](#) [164A17199X](#) [164C18629X](#) [L717HDB44POL2R210](#) [L717HDEH15POL2](#) [L777HDE15P](#) [L77HDE15SC309](#)  
[163A16759X](#) [163A16839X](#) [163A16989X](#) [163A17079X](#) [164A17329X](#) [164A18219X](#) [241A16440X](#) [241A16550X](#) [241A16680X](#)  
[241A20810X](#) [241A25740X](#) [CT25-44P](#) [MDBE15PE766](#) [L177HDE15SOL2RM23](#) [L177HRC62SVFM](#) [L177HRCG62S](#)  
[L717HDEG15POL2RM5](#) [L77HDA26SVF](#) [L77HDE15SD1CO](#) [L77HDEH15SOL2RM832](#) [DAMA-15S-WS](#) [443895-3](#) [106698-1](#) [280-](#)  
[012K2C](#) [DBMV13H3SNA197](#) [L177HRB44S](#) [164A17039X](#) [09562004701510](#) [L777HRC62P](#) [241A17960X](#) [164A18269X](#) [280-019S1S9MEN](#)  
[L777HDEG15P](#) [280-018P3S25MEGN](#) [206504-2](#) [40-9515HDSP](#) [2057140-1](#) [C115370-6002](#) [DFMA104SNMBFR172FR022](#) [HDC9F200E2S](#)  
[L717HDAG26POL2RM8](#) [241A28180X](#)