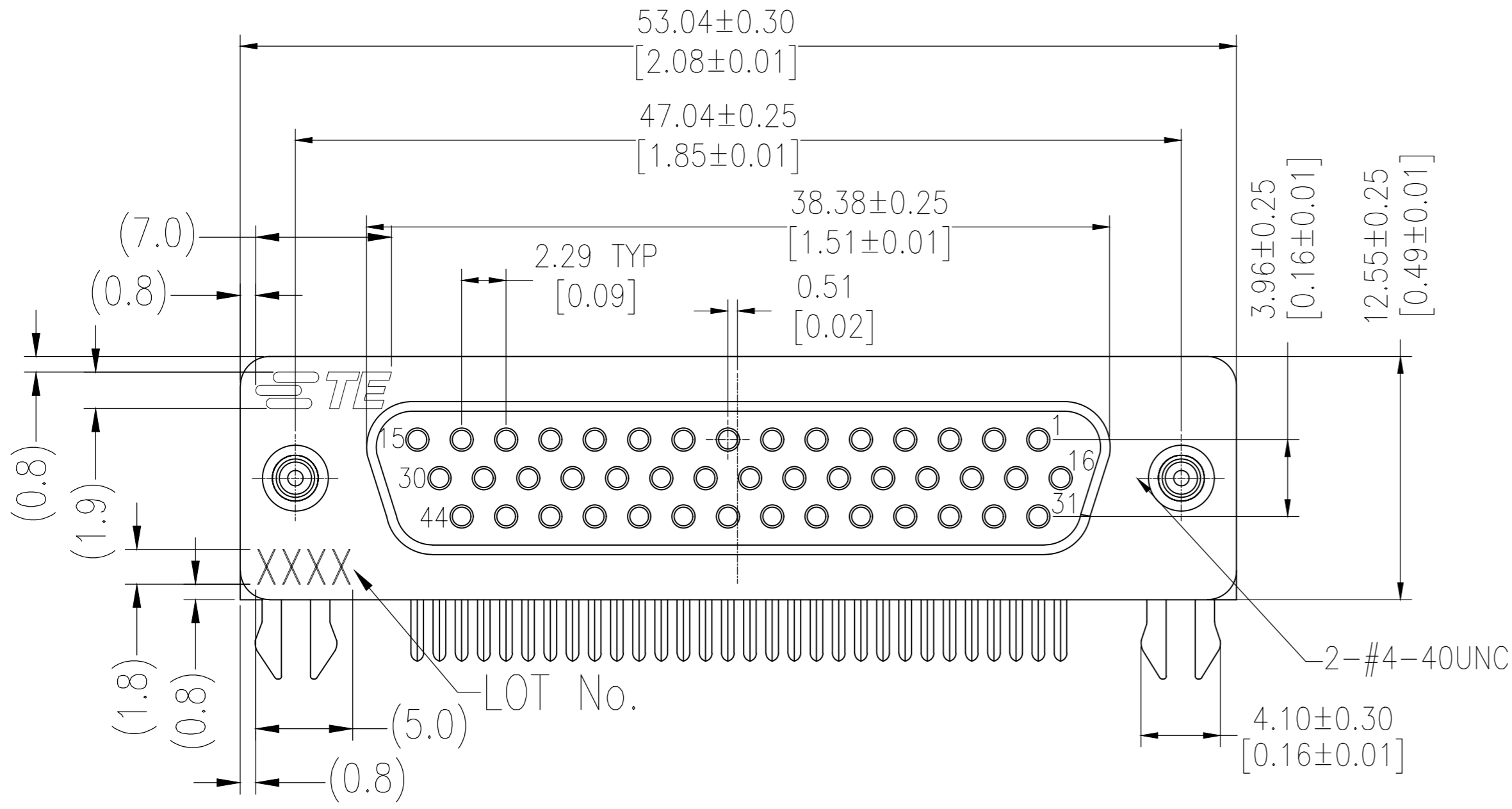
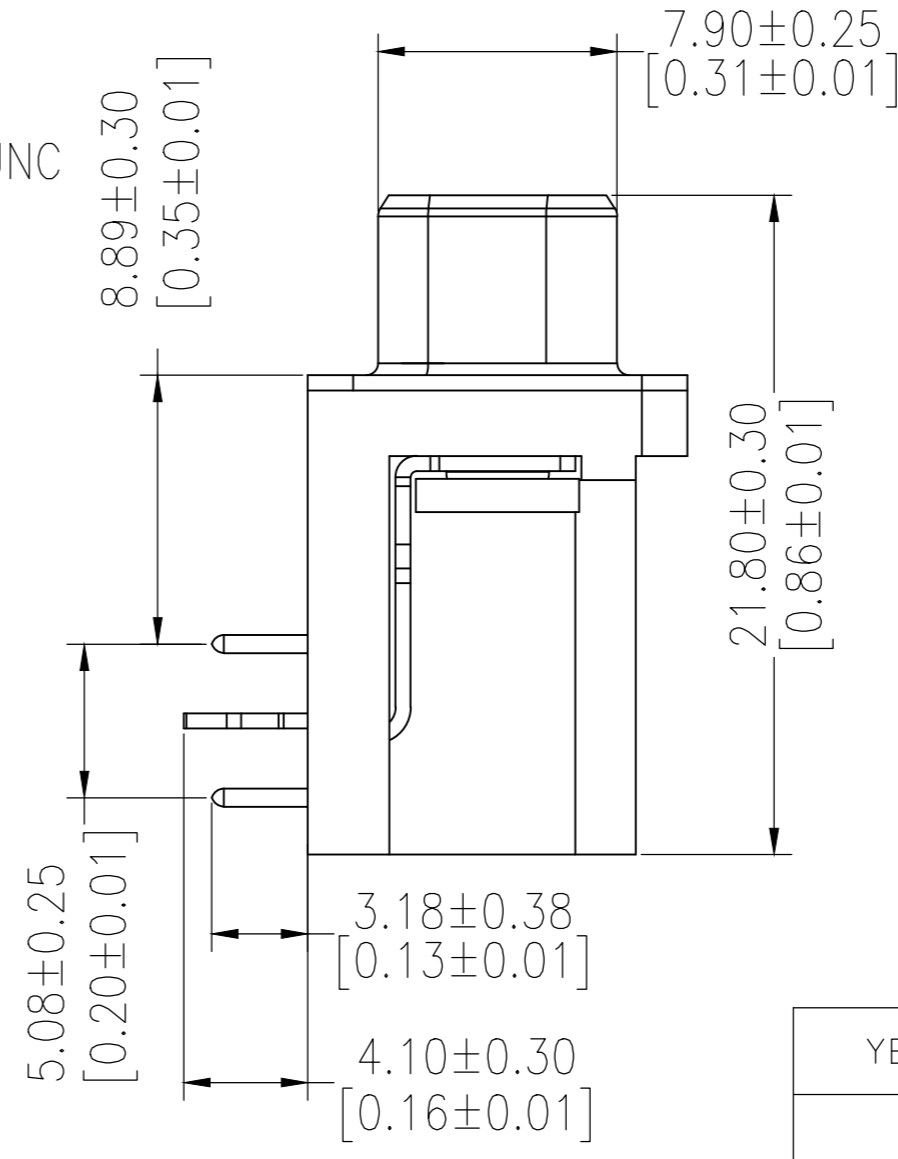
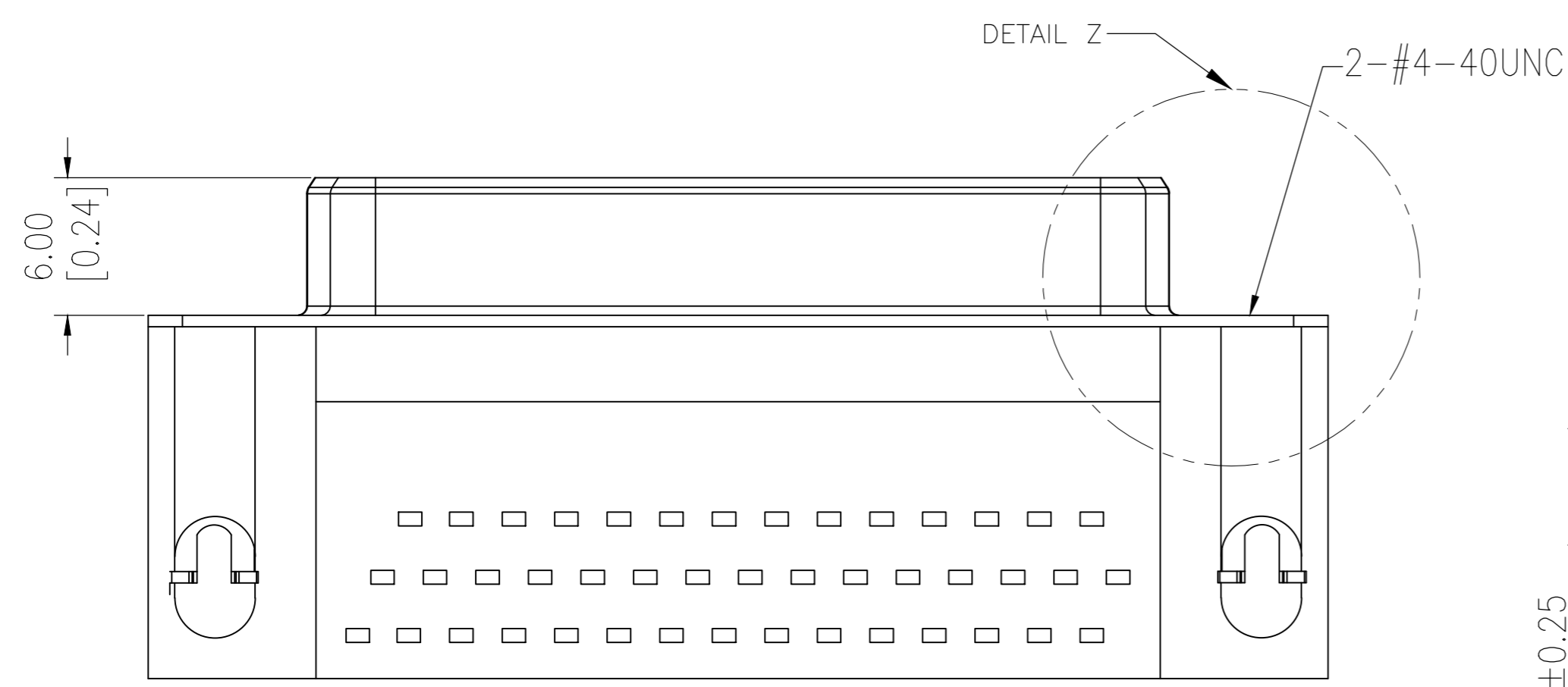
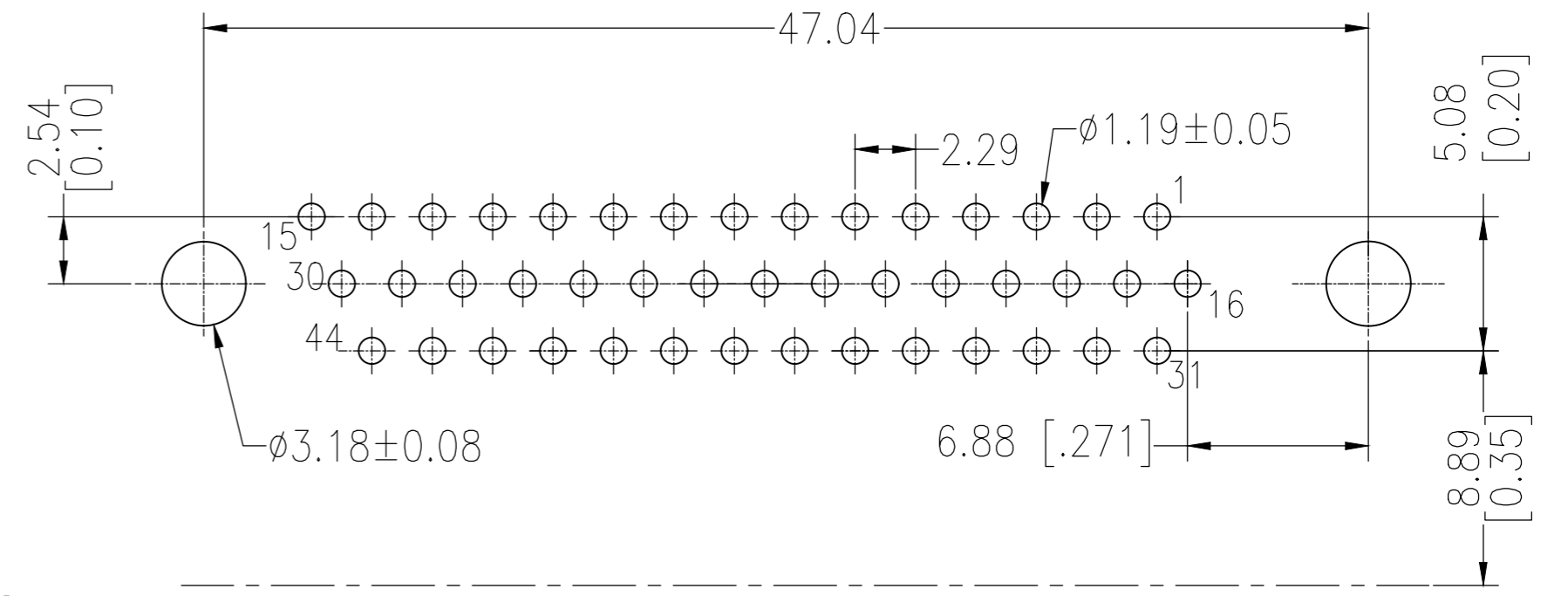


THIS DRAWING IS UNPUBLISHED. RELEASED FOR PUBLICATION
 © COPYRIGHT - TE Connectivity ALL RIGHTS RESERVED.

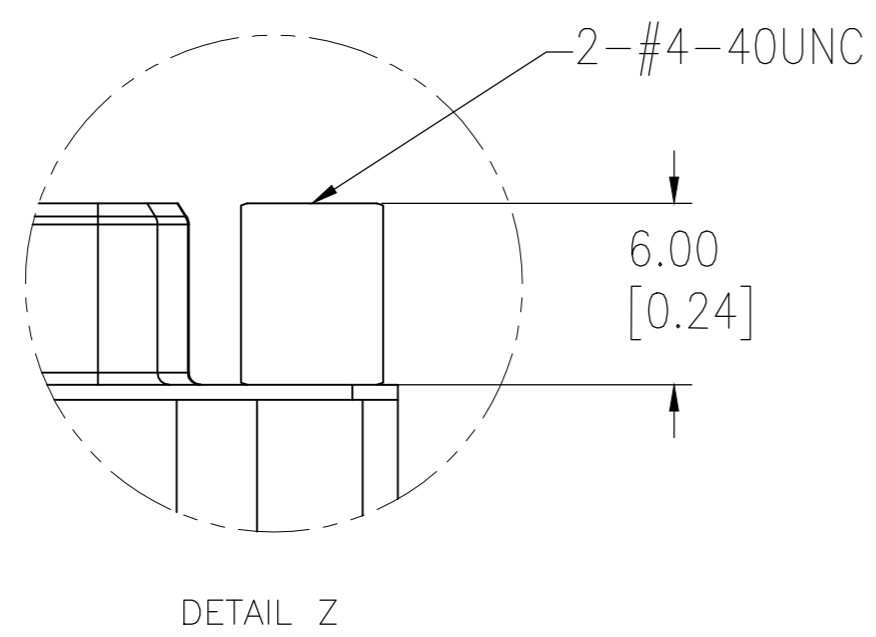
REVISIONS					
P	LTR	DESCRIPTION	DATE	DWN	APVD
E		REVISED PER ECO-18-008015	24MAY2018	AP	DG



Recommended P.C.B Layout(Top Side)
 (PCB BOARD TOLERANCE±0.05)



NOTES:
 Insulator:PBT+G.F UL94V-0 BLACK
 Contact:PHOSPHOR BRONZE
 " GOLD PLATING ON CONTACT AREA
 100u" MATTE TIN PLATING ON SOLDER TAIL
 50u" NICKEL UNDERPLATED OVERALL
 Holddown:Brass,100u" TIN OVER 50u" NICKEL
 Sheel: Cold Roller Steel, Ni Plated
 Rivetlock:Brass,Nickel Plated
 LOT NUMBER "XXXX"
 Stands For Calendar Year
 Stands For Week Number



YES SEE DETAIL Z	15μ" Au	2311770-2
THREADED	30μ" Au	2311770-1
SCREWLOCK	Contact Area	P/N
	Plating	

THIS DRAWING IS A CONTROLLED DOCUMENT.		DWN	AJITH PAI	13MAR2017	TE Connectivity	
DIMENSIONS: mm		CHK	DANIEL GORENC	13MAR2017		
TOLERANCES UNLESS OTHERWISE SPECIFIED:		APVD	DANIEL GORENC	13MAR2017		
0 PLC ± - 1 PLC ± - 2 PLC ± 0.25 3 PLC ± - 4 PLC ± - ANGLES ± -		PRODUCT SPEC	108-130023			
MATERIAL	FINISH	WEIGHT	-		NAME	AMPLIMITE RECEPTACLE, HD22, RIGHT ANGLE, 44P
		CUSTOMER DRAWING	SCALE	1:1	SHEET	1 OF 1
					RESTRICTED TO	-
					SIZE	A2
					CAGE CODE	00779
					DRAWING NO	C=2311770
					REV	E

X-ON Electronics

Largest Supplier of Electrical and Electronic Components

Click to view similar products for [D-Sub High Density Connectors](#) category:

Click to view products by [TE Connectivity](#) manufacturer:

Other Similar products are found below :

[97-3250-11](#) [163A16809X](#) [163A17089X](#) [164A17199X](#) [164C18629X](#) [242A25680X](#) [L717HDB44POL2R210](#) [L717HDEH15POL2](#)
[L777HDE15P](#) [L77HDE15SC309](#) [163A16759X](#) [163A16839X](#) [163A16989X](#) [163A17079X](#) [164A17329X](#) [164A18219X](#) [241A16440X](#)
[241A16550X](#) [241A16680X](#) [241A20810X](#) [241A25740X](#) [CT25-44P](#) [MDBE15PE766](#) [L177HDE15SOL2RM23](#) [L177HRC62SVFM](#)
[L177HRCG62S](#) [L717HDEG15POL2RM5](#) [L77HDA26SVF](#) [L77HDE15SD1CO](#) [L77HDEH15SOL2RM832](#) [DAMA-15S-WS](#) [443895-3](#)
[106698-1](#) [280-012K2C](#) [DBMV13H3SNA197](#) [L177HRB44S](#) [164A17039X](#) [09562004701510](#) [164A17969X](#) [L777HRC62P](#) [241A17960X](#)
[164A18269X](#) [L777HDEG15P](#) [280-018P3S25MEGN](#) [206504-2](#) [40-9515HDSP](#) [2057140-1](#) [C115370-6002](#) [DFMA104SNMBFR172FR022](#)
[HDC9F200E2S](#)