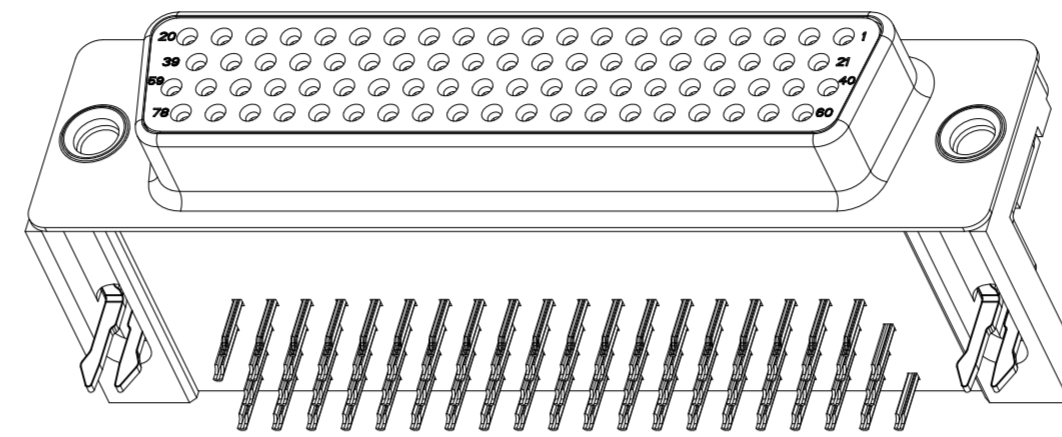
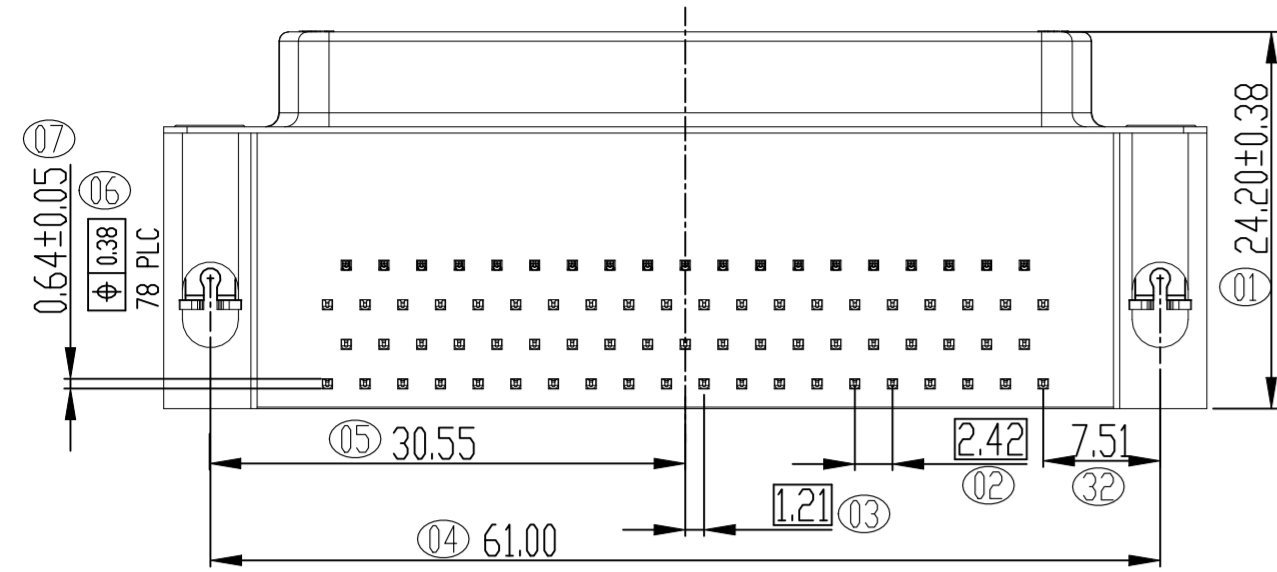


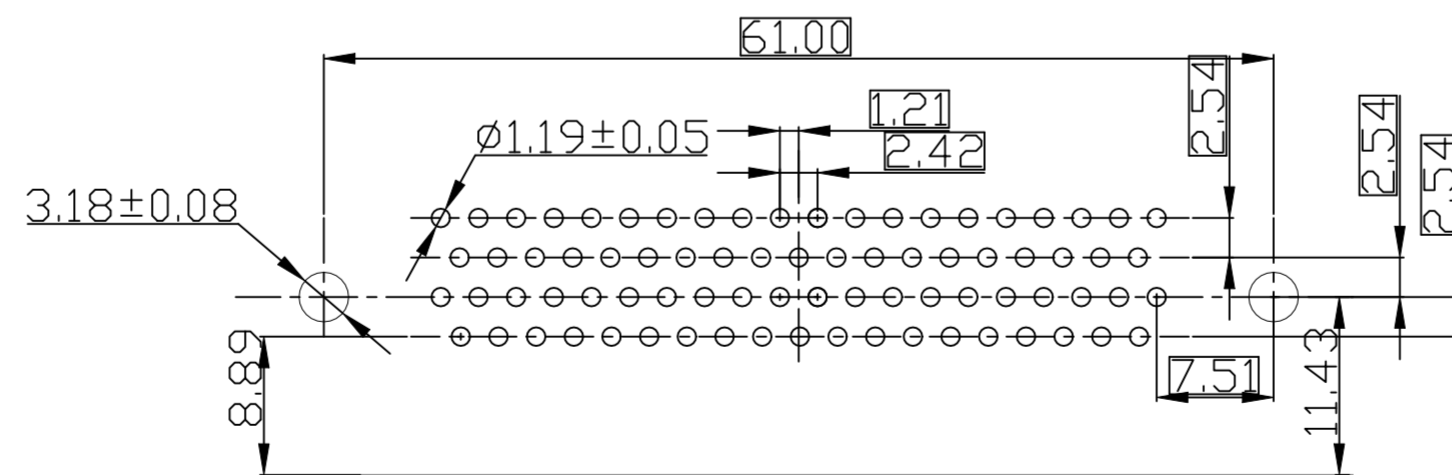
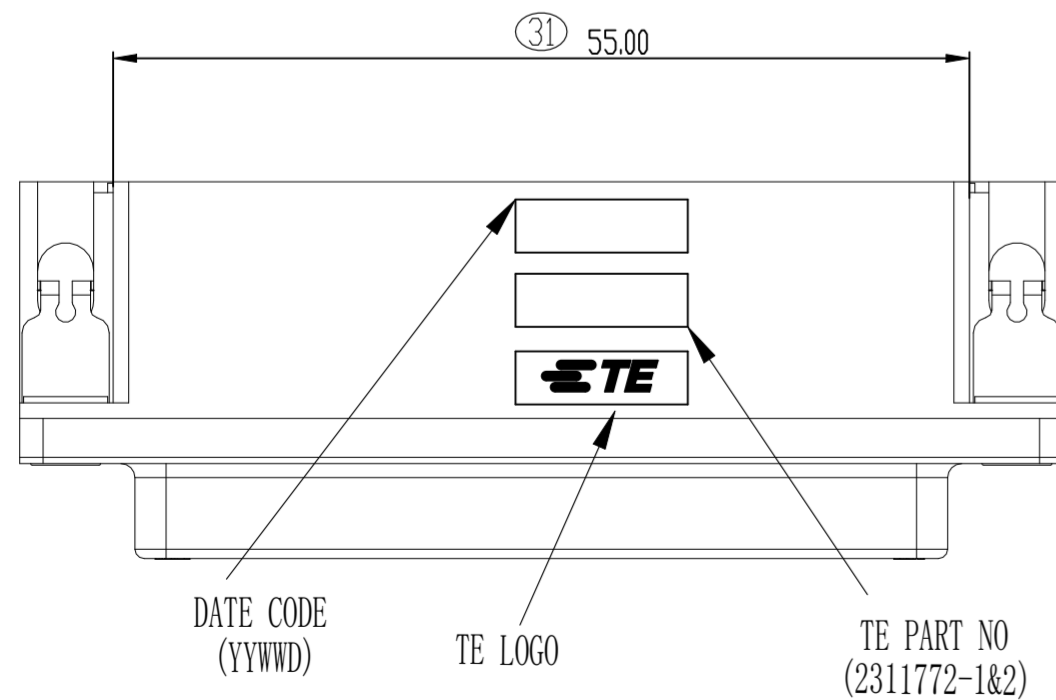
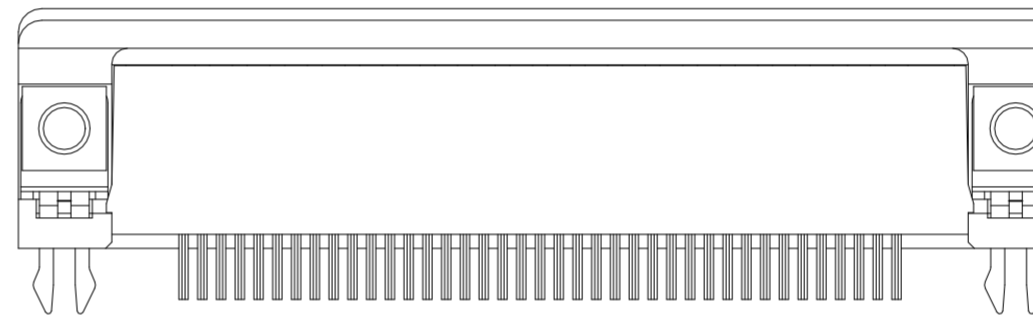
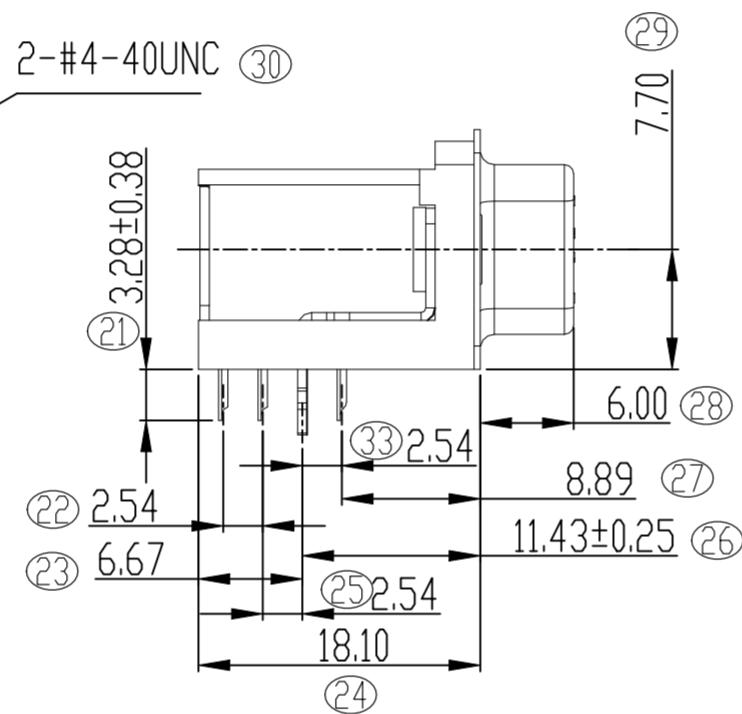
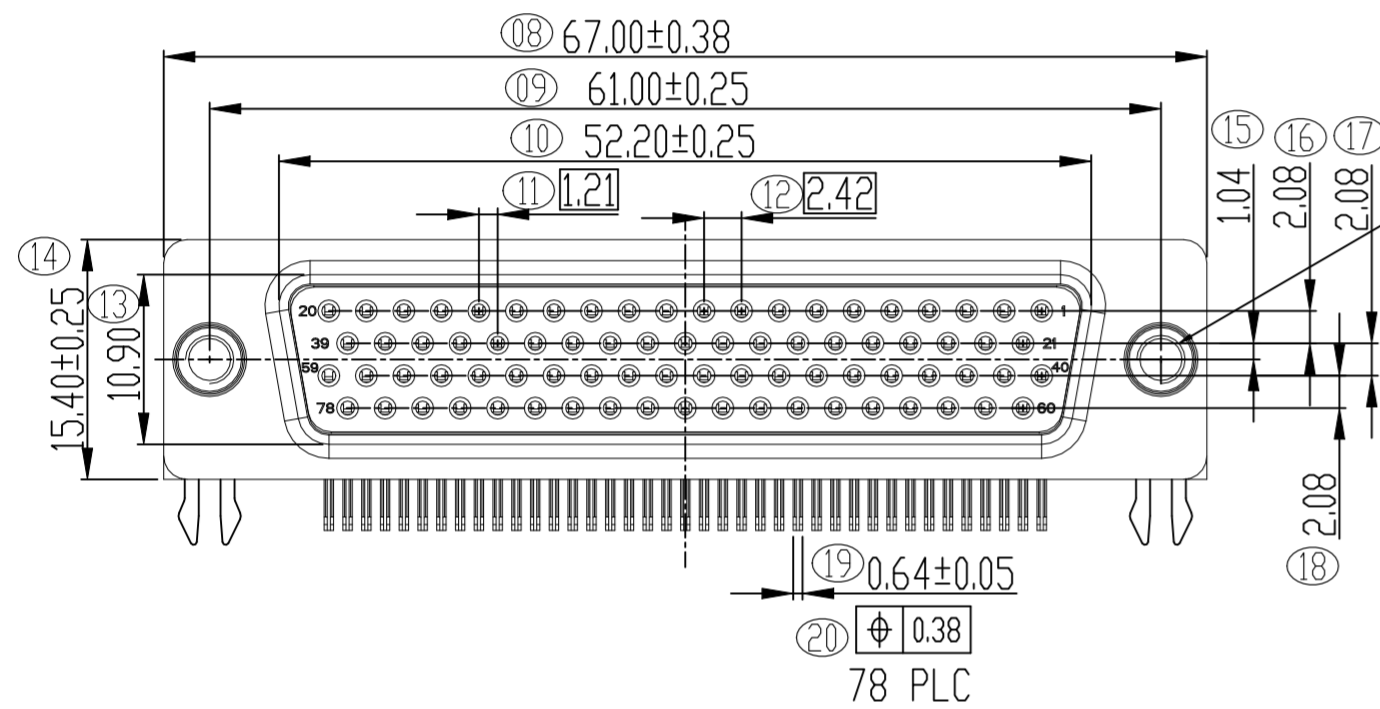
REVISIONS					
P	LTR	DESCRIPTION	DATE	DWN	APVD
G		ECO-21-004845	16APR2021	RR	SZ

NOTES:

- MATERIAL:
HOUSING: PBT WITH 30% GF, UL 94V-0, COLOR: BLACK.
CONTACTS: PHOSPHOR BRONZE.
BOARDLOCKS: BRASS.
SHELL: STEEL.
RIVET: COPPER ALLOY (C3602).
- FINISH:
CONTACTS: 0.762µm[30µ"] MIN. GOLD PLATED ON CONTACT AREA, 3.04µm[120µ"] MIN. MATTE-TIN PLATED ON SOLDER TAIL, 1.27µm[50µ"] MIN. NICKEL UNDERPLATED OVER ALL.
BOARDLOCKS: 2.54µm [100µ"] MIN. TIN (SEE CHART), 1.27µm [50µ"] MIN. NICKEL UNDERPLATED OVERALL.
SHELL: 2.54µm[100µ"] MIN. NICKEL PLATED.
RIVET: 1.27µm[50µ"] MIN. NICKEL PLATED.
- RECOMMENDED PCB THICKNESS: 1.6mm.
- FOUR DIGIT DATE CODE IN THIS FORMAT:
YEAR YY WW MANUFACTURING WEEK



3D VIEW (S=1:1)



RECOMMENDED PCB LAYOUT TOLERANCE: ±0.05 (T=1.6mm)

MATTE	THREADED	30µ" Au	2311772-2
BRIGHT	THREADED	30µ" Au	2311772-1
Boardlock Plating	TYPE	Contact Area Plating	P/N

THIS DRAWING IS A CONTROLLED DOCUMENT.		DWN AJITH PAI 10MAR2017	TE Connectivity	
DIMENSIONS: mm		CHK DANIEL GORENC 10MAR2017	NAME AMPLIMITE RECEPTACLE, HD22, RIGHT ANGLE, 78P	
TOLERANCES UNLESS OTHERWISE SPECIFIED: 0 PLC ± 0.5 1 PLC ± 0.38 2 PLC ± 0.25 3 PLC ± - 4 PLC ± - ANGLES ± 3°		APVD DANIEL GORENC 10MAR2017	PRODUCT SPEC 108-130024	
MATERIAL		FINISH	WEIGHT	RESTRICTED TO
-		-	A2 00779	-
CUSTOMER DRAWING		SCALE	SHEET	REV
-		1:1	1 of 1	G

X-ON Electronics

Largest Supplier of Electrical and Electronic Components

Click to view similar products for [D-Sub High Density Connectors](#) category:

Click to view products by [TE Connectivity](#) manufacturer:

Other Similar products are found below :

[09560008385](#) [09561004701](#) [09561004704](#) [09561004715050](#) [09561005601](#) [09561005604](#) [09561005615050](#) [09561515500](#) [09561515512](#)
[09561515513](#) [09561517500](#) [09561517513](#) [09561525612](#) [09561525613](#) [09561527612](#) [09561527613](#) [09561615700](#) [09561615712](#)
[09561617700](#) [09561617712](#) [09561617713](#) [09561625812](#) [09561625813](#) [09561627812](#) [09561627813](#) [09562004701](#) [09562004701510](#)
[09562004704](#) [09562004715050](#) [09562005601](#) [09562005601510](#) [09562005604](#) [09562005615050](#) [09562515500](#) [09562515513](#) [09562517500](#)
[09562517512](#) [09562517513](#) [09562525612](#) [09562525613](#) [09562527612](#) [09562527613](#) [09562615712](#) [09562615713](#) [09562617700](#)
[09562617712](#) [09562617713](#) [09562625812](#) [09562625813](#) [09562627812](#)