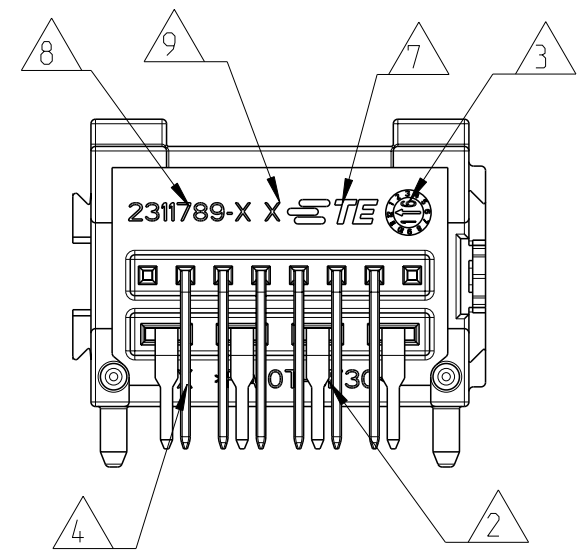
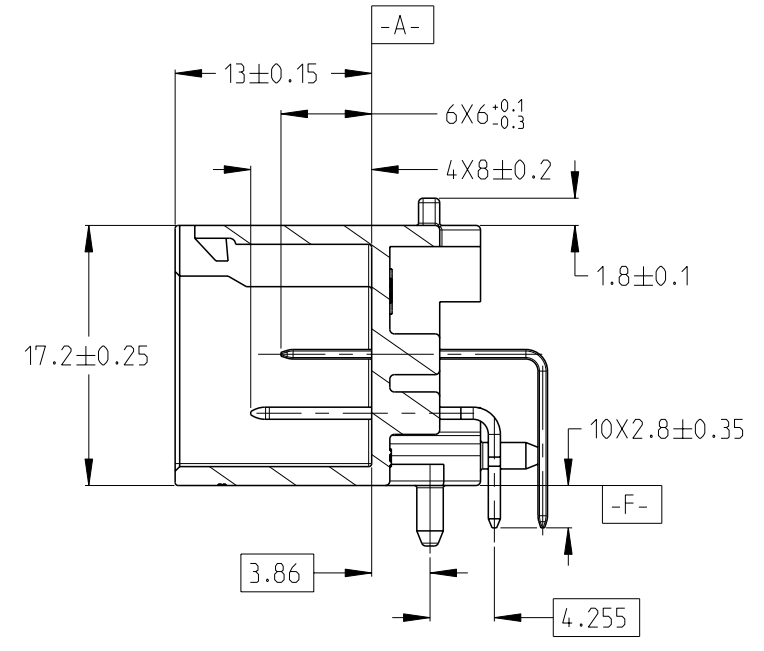
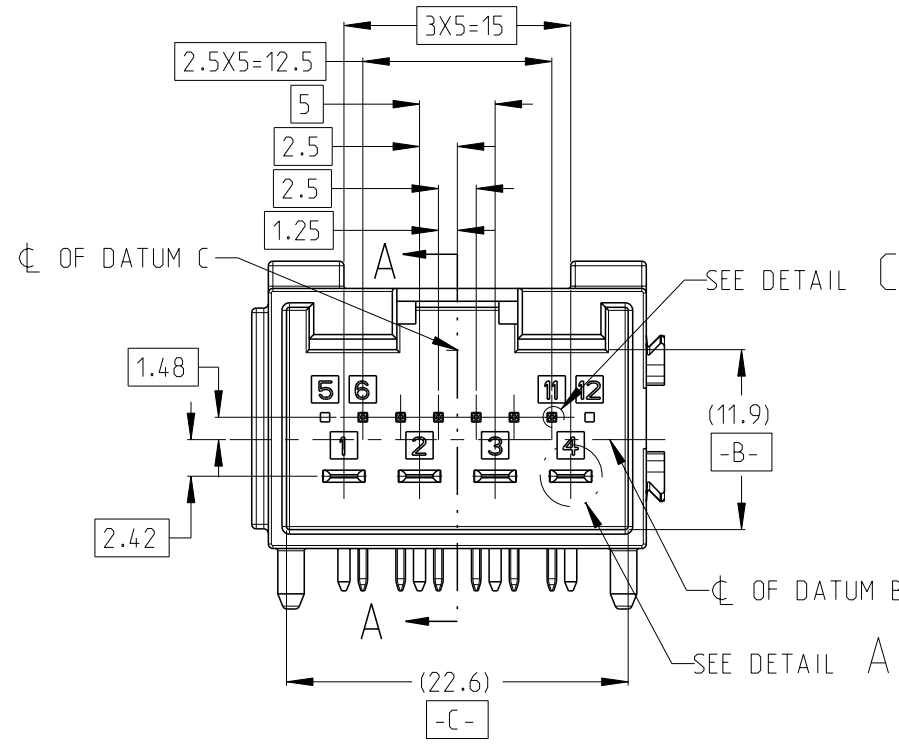
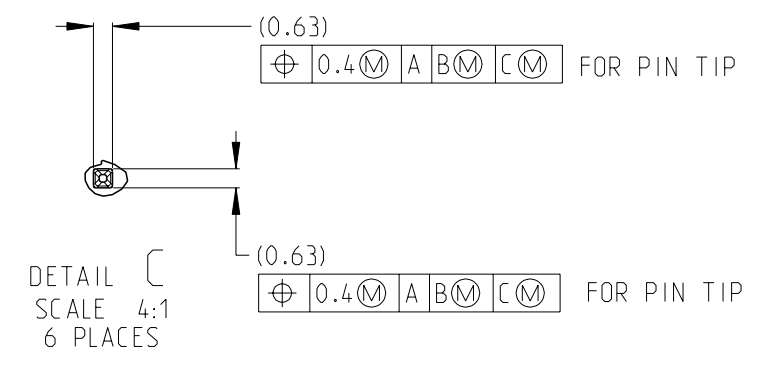
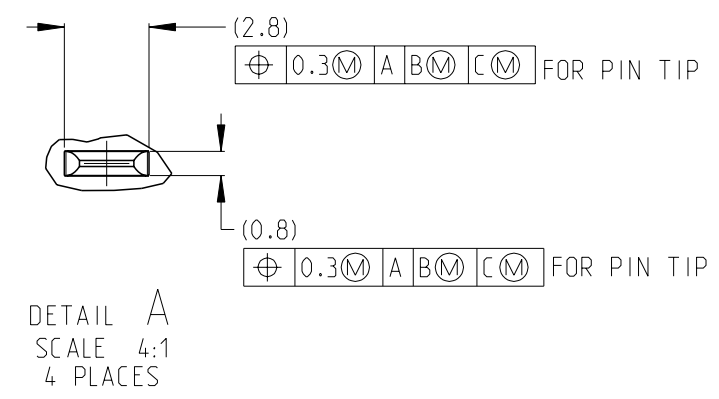
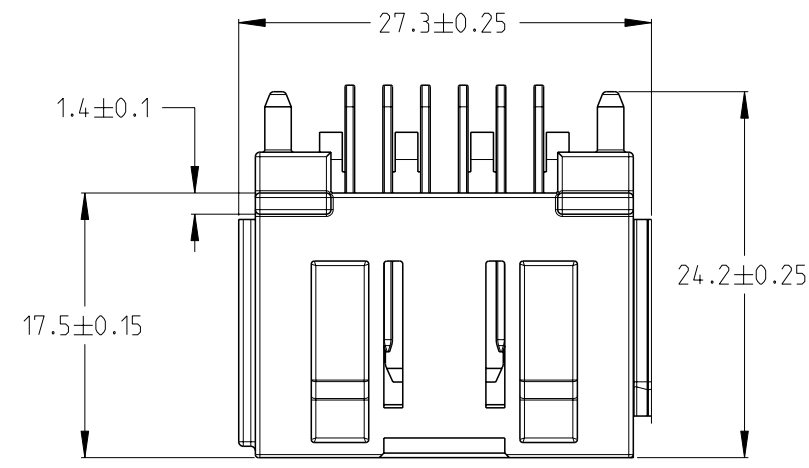


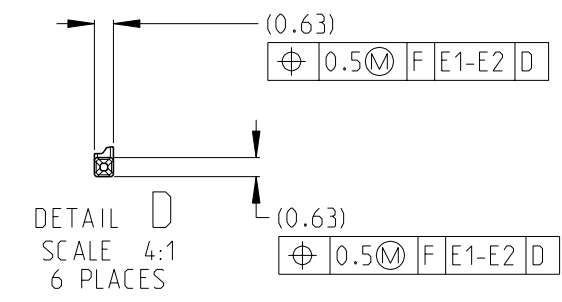
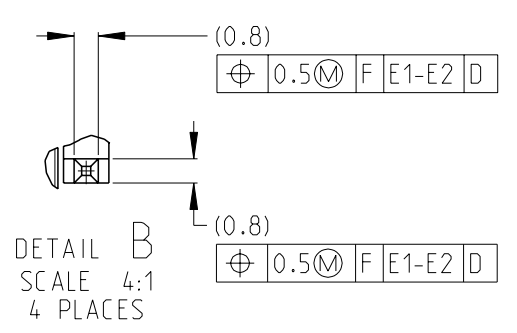
THIS DRAWING IS UNPUBLISHED. RELEASED FOR PUBLICATION 20  
 © COPYRIGHT 20 BY - ALL RIGHTS RESERVED.

REVISIONS				
P	LTR	DESCRIPTION	DATE	APVD
A2	ECN-22-187734		01DEC22	Y.Y J.Z
A3	ECN-23-196290		01FEB23	C.J J.Z
A4	ECN-23-241148		27NOV23	C.J J.Z
A5	ECN-24-269063		04JUN24	C.J J.Z

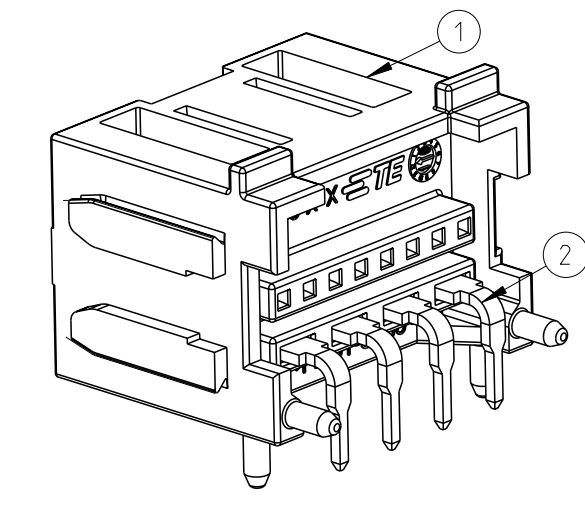
10 WAY CODING A-D 2311788-5 AS SHOWN:



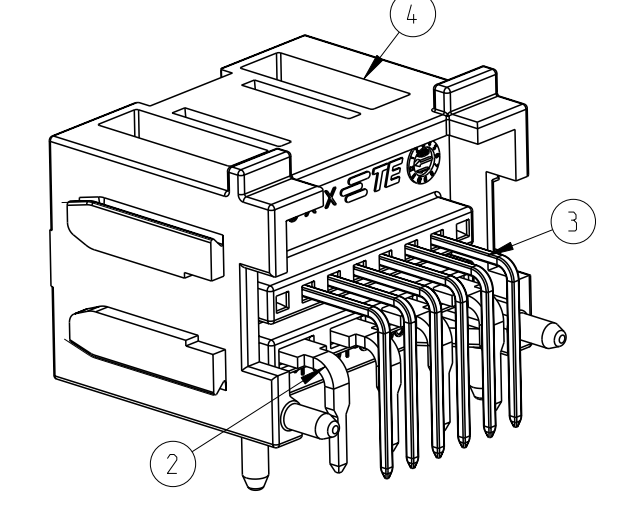
SECTION A-A



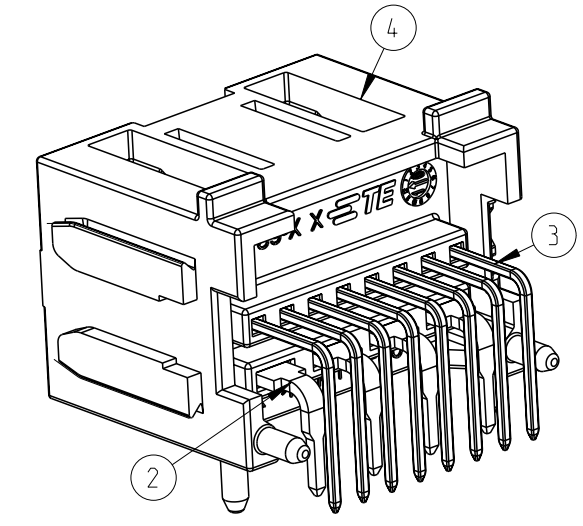
- 1 PLASTIC MATERIAL: PA10T OR SPS  
TAB PIN MATERIAL: CuZn30  
SQ PIN MATERIAL: CuZn30  
PLATING SPEC: TIN OVER NICKEL
- 2 MATERIAL MARKING
- 3 PLASTIC HOUSING PRODUCTION MONTH CLOCK
- 4 TOOL CAVITY MARKING 1.2.3.4...
- 5. PRODUCT OPERATION TEMPERATURE RANGE:-40°C~105°C
- 6. SUITABLE MATING CONNECTOR: 2322347
- 7 TE-LOGO
- 8 TE SEMIFINISHED PART NUMBER
- 9 TE SEMIFINISHED HOUSING PART REVISION
- 10 PRODUCT STABILIZATION FOR SOLDERING PROCESS
- 11 PRODUCT ASSEMBLY DATA INFORMATION
- 12 THE FINISHED P/N: X-2311788-X
- 13 FOR 12P P/N 1-2311788-#  
THE PLUG TO HEADER MATING/UN-MATING FORCE DEVIATION TO 85N
- 14. UNDEFINED DIMENSIONS ACCORDING TO TE INTERFACE DRAWING 114-101068



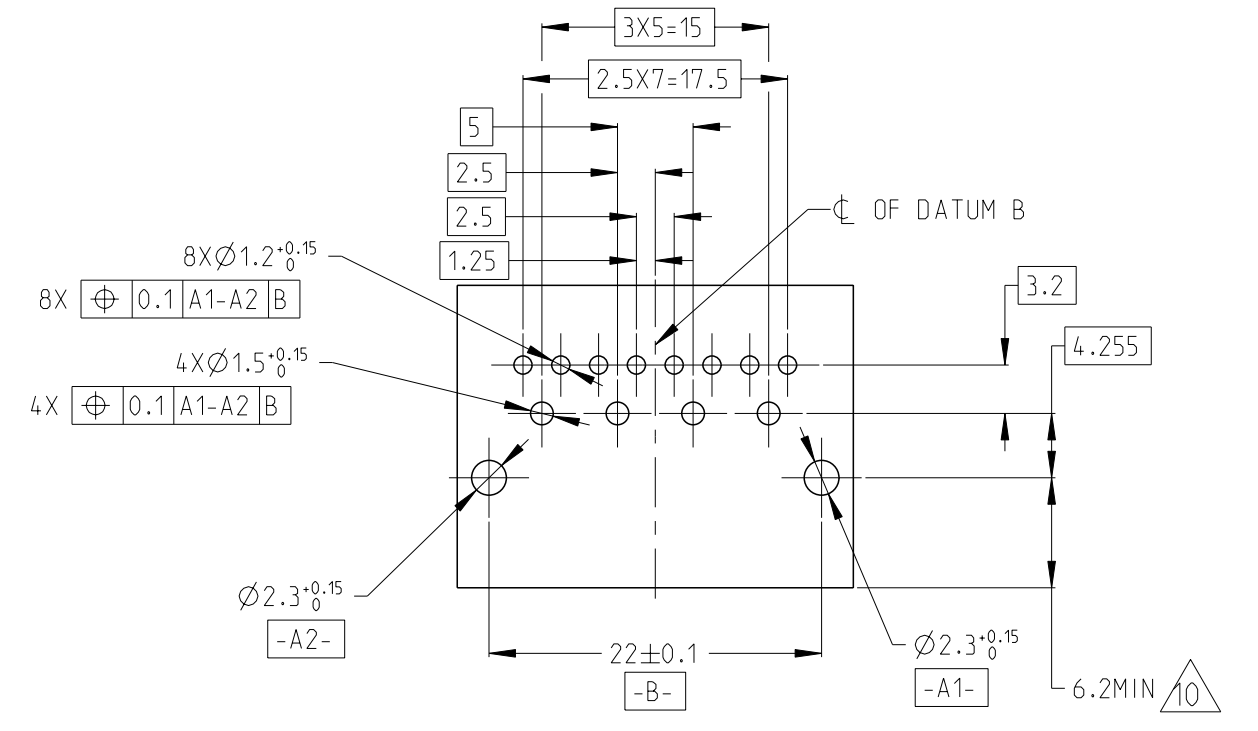
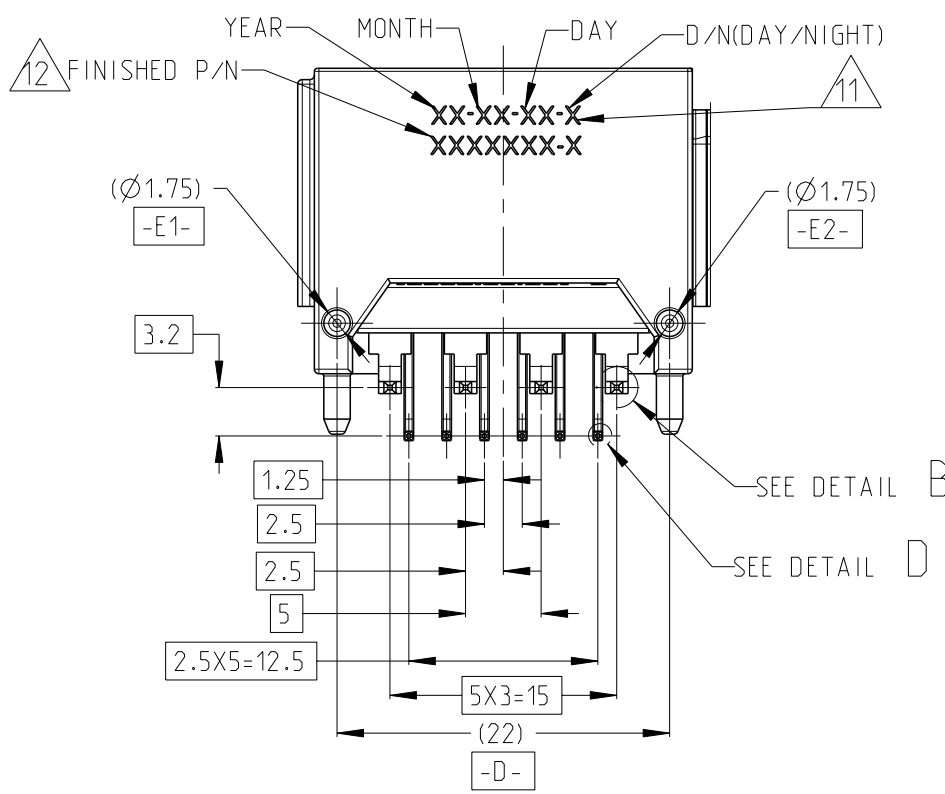
4 WAY AS SHOWN



10 WAY HYBRID AS SHOWN



12 WAY HYBRID AS SHOWN



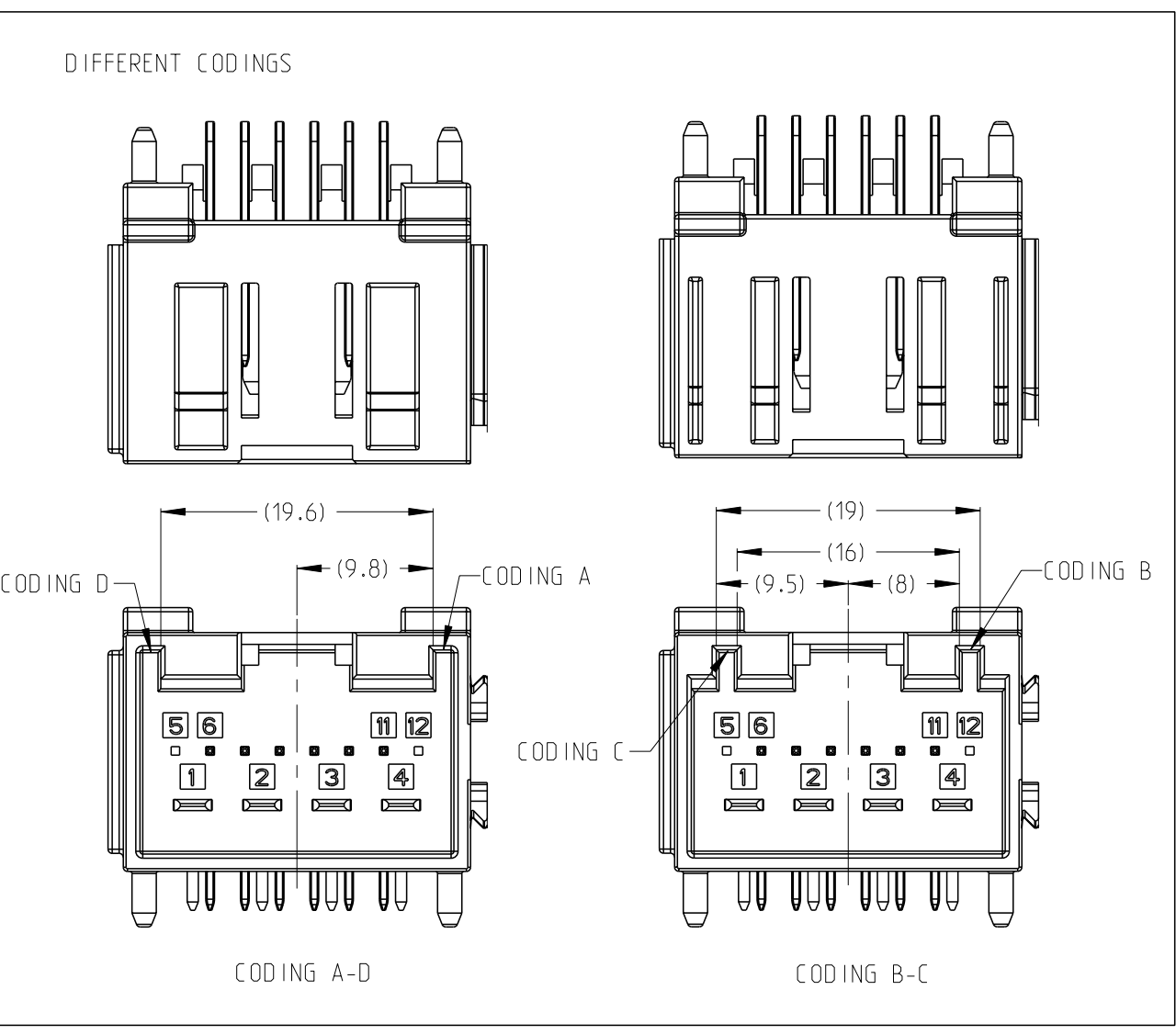
RECOMMENDED PCB LAY-OUT THICKNESS 1.6±0.14mm

THIS DRAWING IS A CONTROLLED DOCUMENT.		DWN K.WEI 18JUN2017	TE Connectivity	
DIMENSIONS: mm		CHK E.JIANG 08AUG2017		
TOLERANCES UNLESS OTHERWISE SPECIFIED:		APVD L.YIN 09AUG2017	NAME 4 WAY POWER/10 WAY/12 WAY HYBRID HEADER	
0-PLC ±		PRODUCT SPEC 108-101599	SIZE A2	
1-PLC ±0.1		APPLICATION SPEC 114-101065	CAGE CODE 00779	
2-PLC ±0.01		WEIGHT -	DRAWING NO C=2311788	
3-PLC ±0.001		CUSTOMER DRAWING	RESTRICTED TO -	
4-PLC ±0.0001		SCALE 2:1	SHEET 1 OF 2	
ANGLES ±		REV A5		
FINISH				

Printed on 4 Jun 2024 16:47 (China Standard Time) from TE510287

THIS DRAWING IS UNPUBLISHED. RELEASED FOR PUBLICATION 20  
 © COPYRIGHT 20 BY - ALL RIGHTS RESERVED.

REVISIONS					
P	LTR	DESCRIPTION	DATE	DWN	APVD
		SEE SHEET 1			



A5

TE P/N	DESCRIPTION	CODING	PIN LOCATION	TRAY	QTY	PART DESCRIPTION	MATERIAL	COLOR/FINISH	ITEM NO	
5-2311788-3	12 WAY HYBRID HEADER	A-D	X F F X X X X X X X X	DIM:310*210*28.85mm	8	0.63 SQ PIN	CuZn30	Sn OVER Ni	3	
5-2311788-2		B-C	X X X X	DIM:320*210*29mm	4	0.8X2.8 TAB PIN	CuZn30	Sn OVER Ni	2	
5-2311788-1		A-D	X X X X	DIM:320*210*29mm	1	12 WAY HOUSING	PA10T OR SPS	BLACK	4	
4-2311788-2		B-C	X X X X	DIM:320*210*29mm	8	0.63 SQ PIN	CuZn30	Sn OVER Ni	3	
4-2311788-1		A-D	X X X X	DIM:320*210*29mm	4	0.8X2.8 TAB PIN	CuZn30	Sn OVER Ni	2	
1-2311788-5		B-C	X X X X	REEL DIM:56*24mm	8	0.63 SQ PIN	CuZn30	Sn OVER Ni	3	
1-2311788-4		B-D	X X X X	DIM:375*275*31mm	4	0.8X2.8 TAB PIN	CuZn30	Sn OVER Ni	2	
1-2311788-3		A-C	X X X X	DIM:375*275*31mm	1	12 WAY HOUSING	PA10T OR SPS	BLUE	4	
1-2311788-2		B-C	X X X X	DIM:375*275*31mm	8	0.63 SQ PIN	CuZn30	Sn OVER Ni	3	
1-2311788-1		A-D	X X X X	DIM:375*275*31mm	4	0.8X2.8 TAB PIN	CuZn30	Sn OVER Ni	2	
2311788-8		10 WAY HYBRID HEADER	B-D	X X X X	DIM:375*275*31mm	6	0.63 SQ PIN	CuZn30	Sn OVER Ni	3
2311788-7			A-C	X X X X	DIM:375*275*31mm	4	0.8X2.8 TAB PIN	CuZn30	Sn OVER Ni	2
2311788-6	B-C		X X X X	DIM:375*275*31mm	1	12 WAY HOUSING	PA10T OR SPS	BLUE	4	
2311788-5	A-D		X X X X	DIM:375*275*31mm	6	0.63 SQ PIN	CuZn30	Sn OVER Ni	3	
2311788-4	B-D		X X X X	DIM:375*275*31mm	4	0.8X2.8 TAB PIN	CuZn30	Sn OVER Ni	2	
2311788-3	A-C		X X X X	DIM:375*275*31mm	1	4 WAY HOUSING	PA10T OR SPS	GREEN	1	
2311788-2	B-C		X X X X	DIM:375*275*31mm	4	0.8X2.8 TAB PIN	CuZn30	Sn OVER Ni	2	
2311788-1	A-D		X X X X	DIM:375*275*31mm	1	4 WAY HOUSING	PA10T OR SPS	BROWN	1	
					4	0.8X2.8 TAB PIN	CuZn30	Sn OVER Ni	2	
					1	4 WAY HOUSING	PA10T OR SPS	BLACK	1	
					1	4 WAY HOUSING	PA10T OR SPS	BLACK	1	

THIS DRAWING IS A CONTROLLED DOCUMENT.

DWN: K.WEI 18JUN2017  
 CHK: E.JIANG 08AUG2017  
 APVD: J.LIN 09AUG2017

TE Connectivity

NAME: 4 WAY POWER/10 WAY/12 WAY HYBRID HEADER

SIZE: A2 CAGE CODE: 00779 DRAWING NO: C-2311788

SCALE: 2:1 SHEET: 2 OF 2 REV: A5

RESTRICTED TO: -

CUSTOMER DRAWING

Printed on 4 Jun 2024 16:47 (China Standard Time) from TE510287

## X-ON Electronics

Largest Supplier of Electrical and Electronic Components

*Click to view similar products for [Headers & Wire Housings](#) category:*

*Click to view products by [TE Connectivity](#) manufacturer:*

Other Similar products are found below :

[0015917161](#) [0022155065](#) [57102-F02-18ULF](#) [58102-G61-06LF](#) [582553-1](#) [01.001.5753.1](#) [0050291907](#) [02.125.8002.8](#) [609-3404](#) [61062-3](#)  
[CSU011177004](#) [622-0430](#) [622-3653LF](#) [63453-116](#) [636-1030](#) [636-1427](#) [636-3427](#) [636-4007](#) [641938-9](#) [65495-038](#) [65692-001LF](#) [65781-018](#)  
[65781-047](#) [65817-010LF](#) [65817-015LF](#) [67095-007LF](#) [67601157](#) [68631-112](#) [68645-018](#) [699319-000](#) [70.362.1628.0](#) [70-4210](#) [70-4226B](#) [70-](#)  
[4853B](#) [71.350.2428.0](#) [733-134](#) [733-162](#) [MHR-64-VUAL](#) [80.063.4001.1](#) [800-90-001-10-001000](#) [801-43-002-10-013000](#) [801-43-006-10-](#)  
[002000](#) [803-43-024-10-001000](#) [803-93-012-10-001000](#) [8-1437020-4](#) [819-22-004-30-001101](#) [820-22-006-30-001101](#) [820-22-008-30-001101](#)  
[821-22-002-10-001101](#) [821-22-003-10-002101](#)