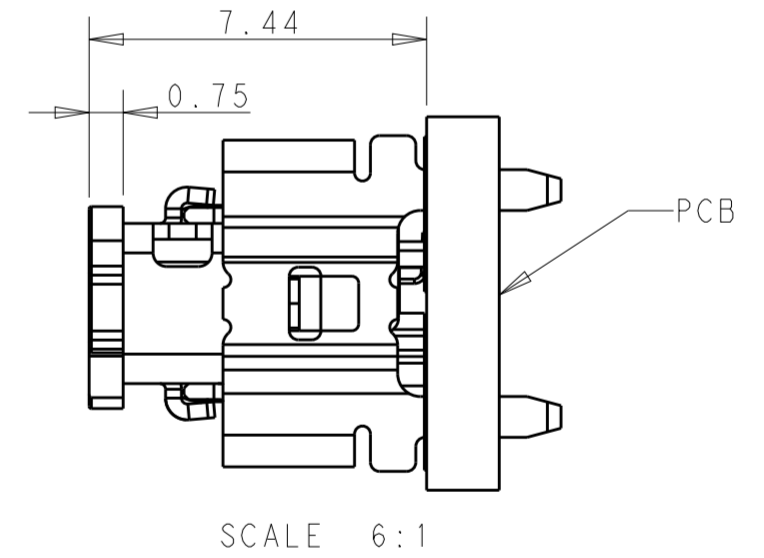
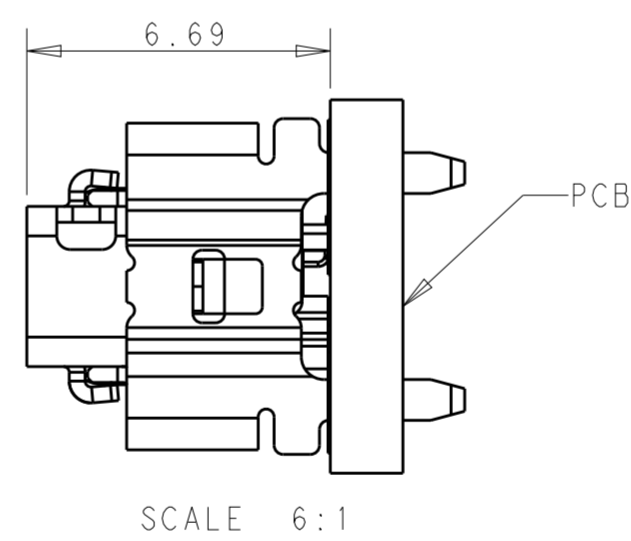
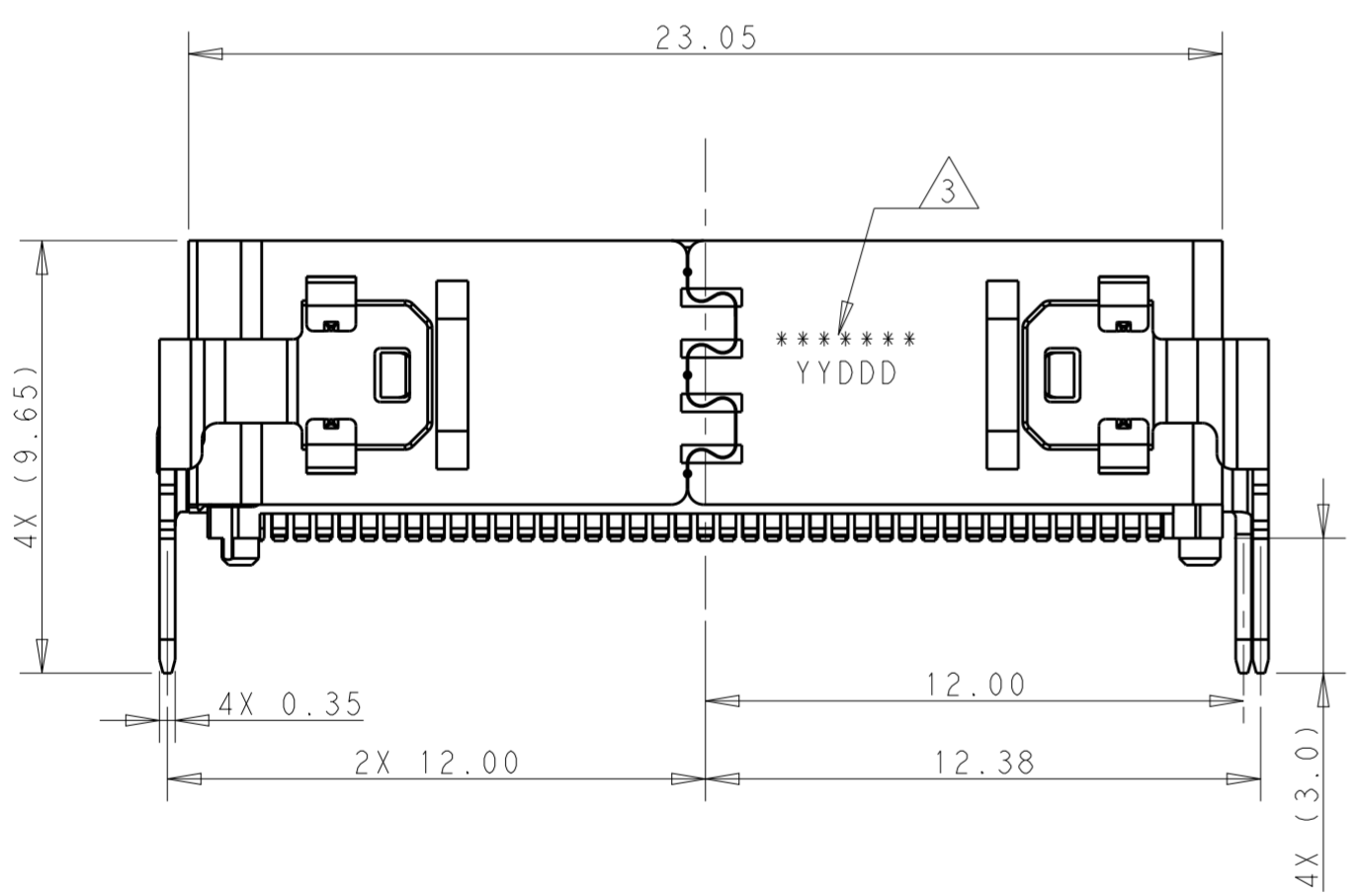
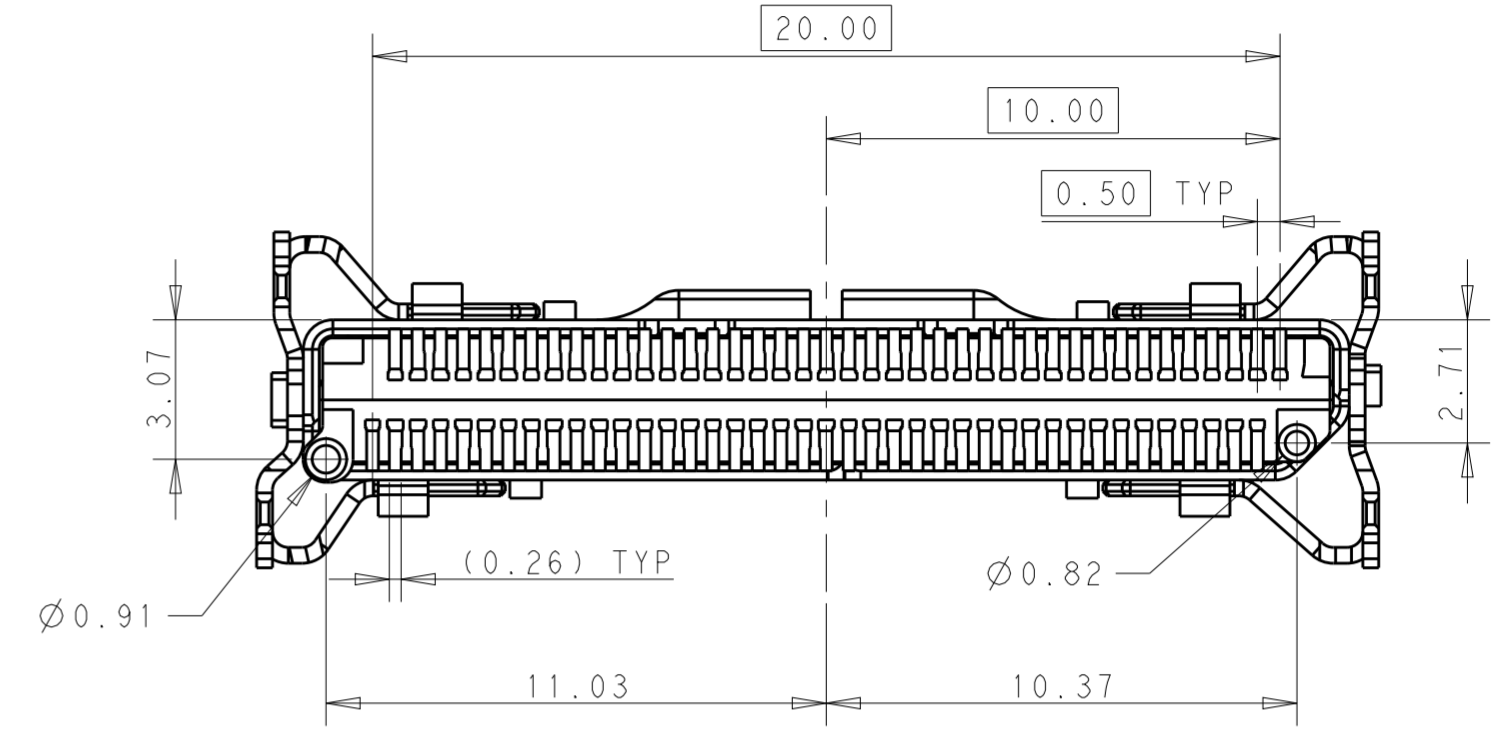
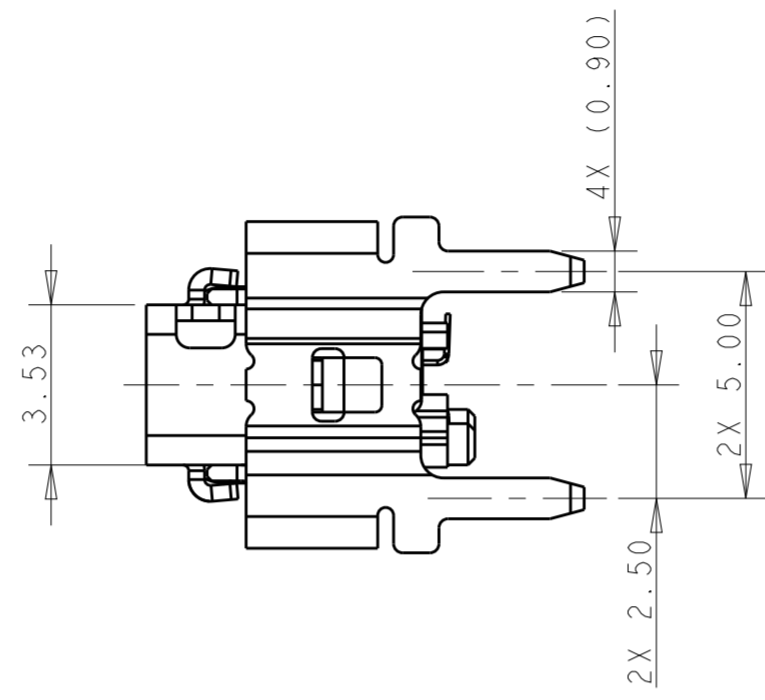
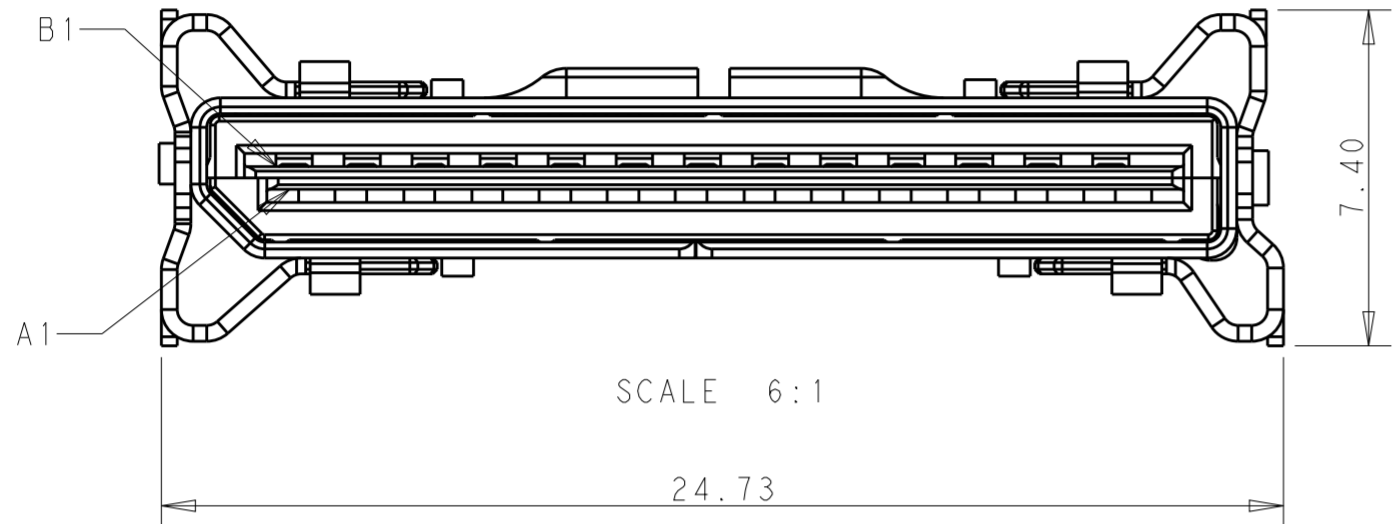


THIS DRAWING IS UNPUBLISHED. RELEASED FOR PUBLICATION 20
 © COPYRIGHT 20 BY - ALL RIGHTS RESERVED.

REVISIONS				
P	LTR	DESCRIPTION	DATE	APVD
A		INITIAL RELEASE	14NOV2017	AJ SH
B		REVISED PER ECO-19-019424	20DEC2019	SH SH
C		REVISED PER ECO-20-002530	26FEB2020	LL DZ



NOTES:

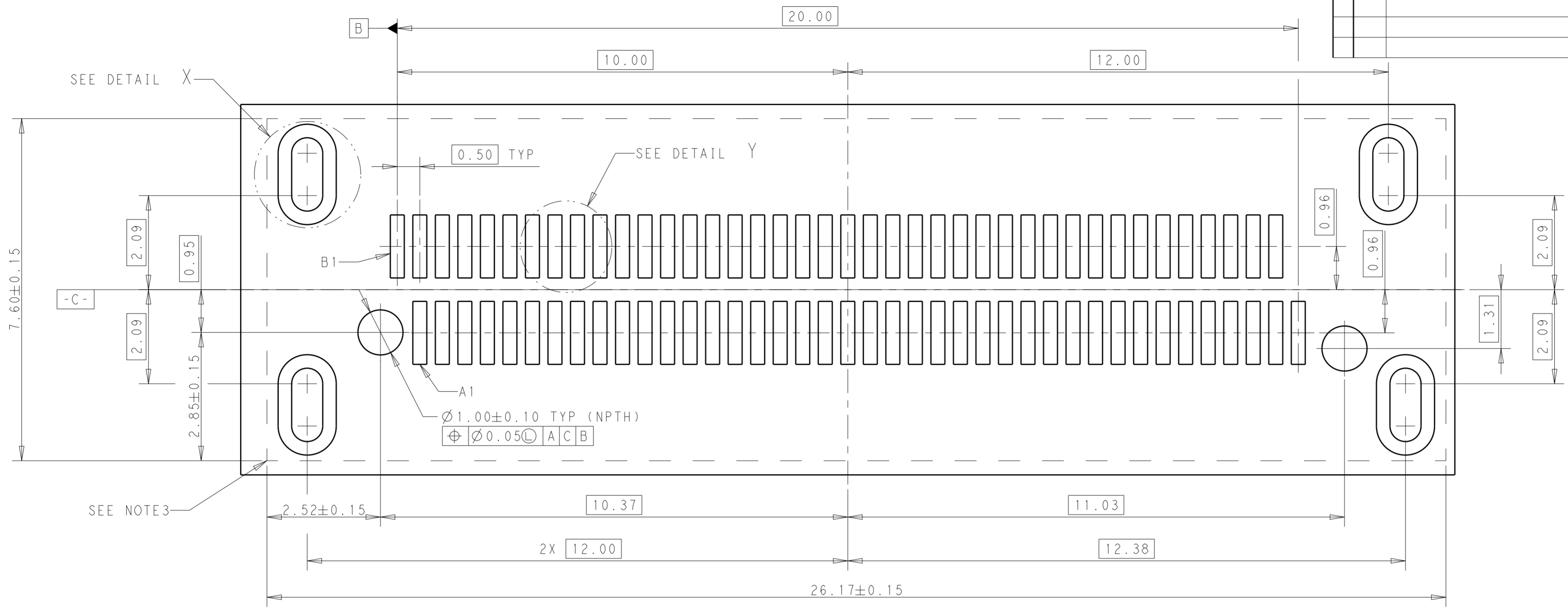
- MATERIALS:
 HOUSING - GLASS FILLED THERMOPLASTIC. 94V-0, COLOR: BLACK.
 CONTACT - HIGH PERFORMANCE COPPER ALLOY
 SHIELD - STAINLESS STEEL
 - FINISH:
 CONTACTS - 0.76um MIN. GOLD ON MATING SIDE
 2.03um MIN. TIN ON SOLDER TAILS
 1.27um MIN. NICKEL UNDERPLATE OVERALL
 SHIELD - MATTE TIN OVER 1.27um MIN. NICKEL
- 3 PART NUMBER AND DATE CODE MARKED IN APPROXIMATE AREA SHOWN
- SOLDER TAIL COPLANARITY IS 0.10 MAX.

THIS DRAWING IS A CONTROLLED DOCUMENT.		DWN 06DEC2016 ARTHUR JIN	TE Connectivity NAME NPIO ASSEMBLY 80CKT XD VERTICAL RECEPTACLE	
DIMENSIONS: mm		CHK 10DEC2016 SEAN HAN		
TOLERANCES UNLESS OTHERWISE SPECIFIED:		APVD 10DEC2016 SEAN HAN	PRODUCT SPEC 108-60118	
0 PLC ± 1 PLC ±0.25 2 PLC ±0.15 3 PLC ± 4 PLC ± ANGLES ±1/2 FINISH SEE NOTES		APPLICATION SPEC 114-60024	RESTRICTED TO	
MATERIAL SEE NOTES		WEIGHT -	SIZE A2	CAGE CODE -
		CUSTOMER DRAWING	DRAWING NO. C-2312148	SCALE 4:1
			SHEET 1 OF 2	REV C

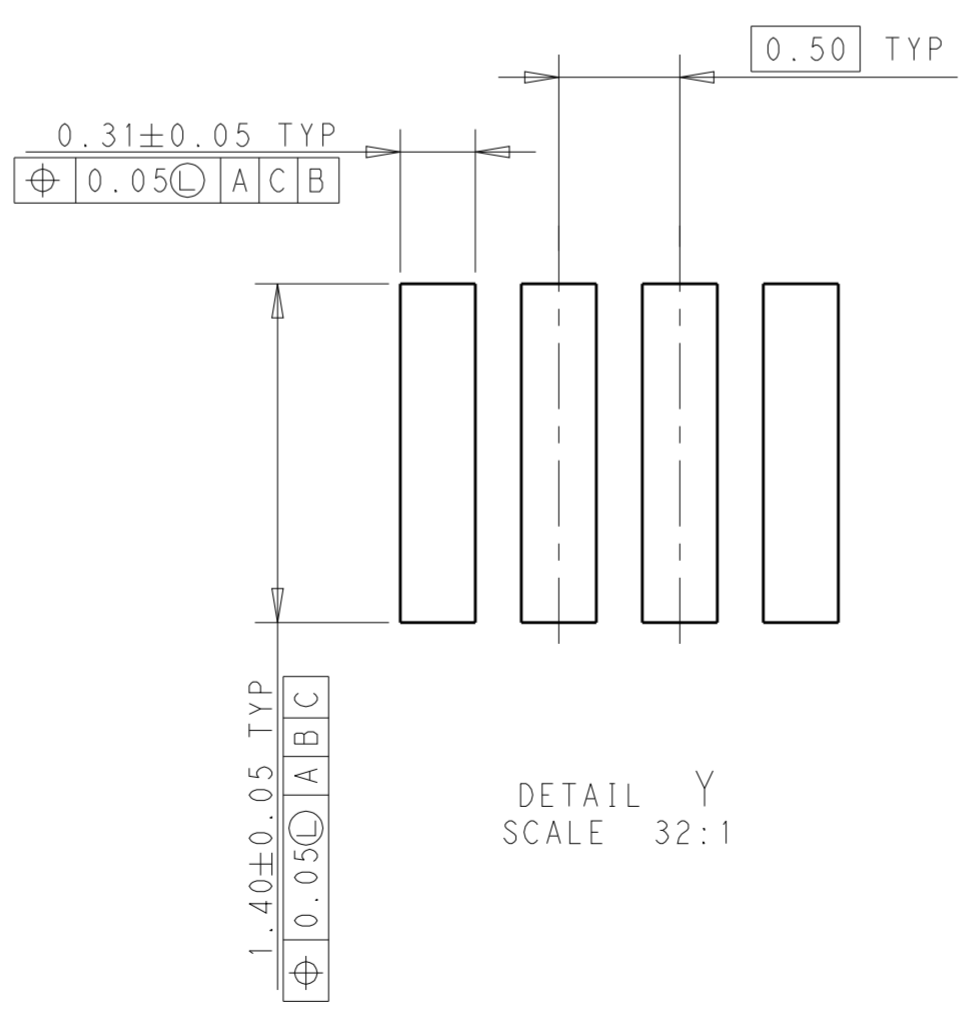
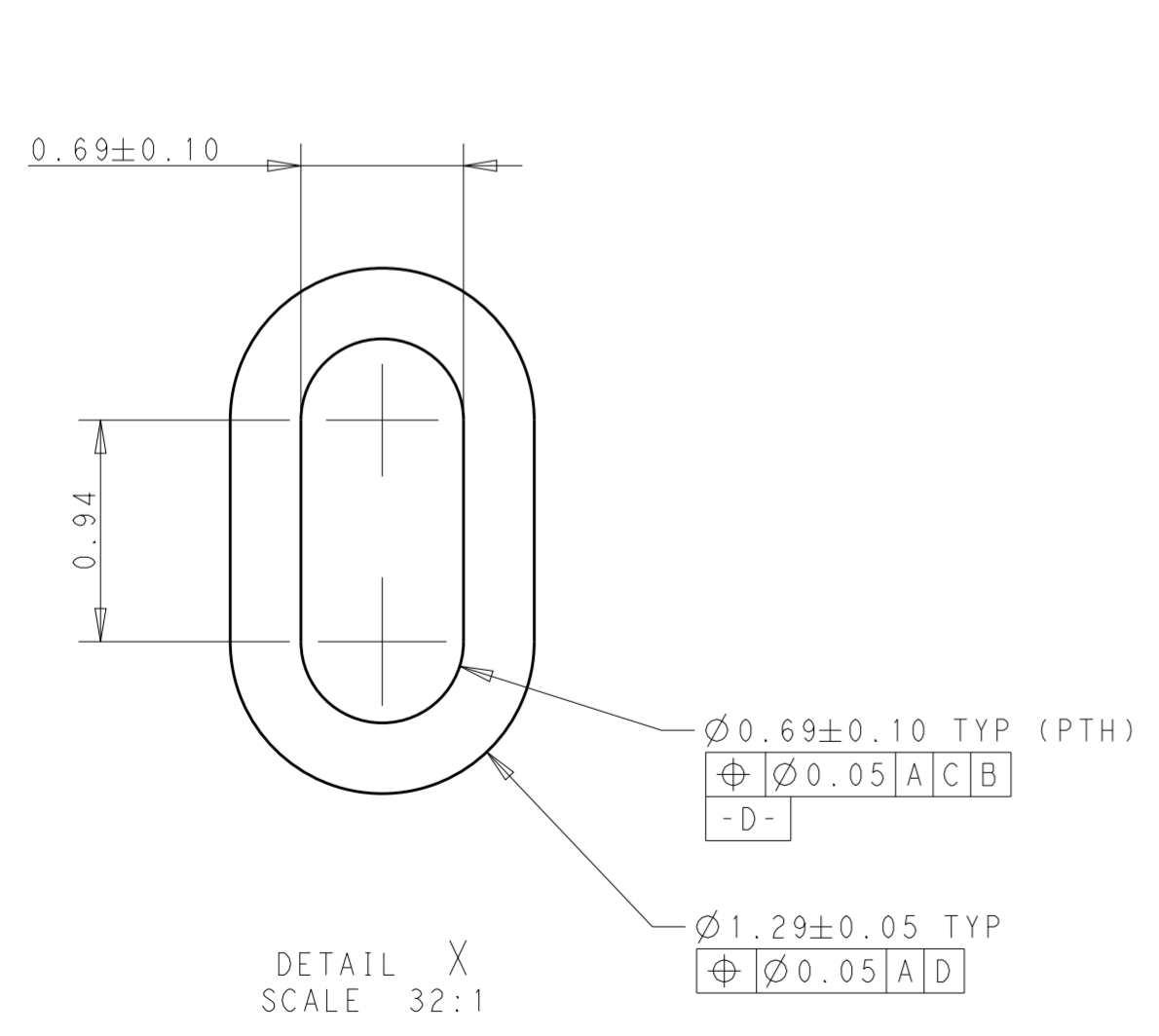
2312148-1
PART NUMBER

THIS DRAWING IS UNPUBLISHED. RELEASED FOR PUBLICATION 20
 © COPYRIGHT 20 BY - ALL RIGHTS RESERVED.

REVISIONS				
P	LTR	DESCRIPTION	DATE	APVD
		SEE SHEET 1		



RECOMMENDED FOOTPRINT
 SCALE 14:1



- NOTES:
 1. MINIMUM RECOMMENDED SPACING IS 26.75mm
 2. MINIMUM RECOMMENDED PCB THICKNESS: 1.57mm
 3. CONNECTOR KEEP OUT AREA
 4. DATUM-A- ESTABLISHED FROM TOP SURFACE OF PCB

THIS DRAWING IS A CONTROLLED DOCUMENT.		DWN ARTHUR JIN 06DEC2016	TE Connectivity	
DIMENSIONS: mm		CHK SEAN HAN 10DEC2016		
TOLERANCES UNLESS OTHERWISE SPECIFIED:		APVD SEAN HAN 10DEC2016		
0 PLC ± 1 PLC ±0.25 2 PLC ±0.15 3 PLC ± 4 PLC ± ANGLES ±1/2 FINISH		NAME NPIO ASSEMBLY 80CKT XD VERTICAL RECEPTACLE PRODUCT SPEC 108-60118 APPLICATION SPEC 114-60024 WEIGHT -		
MATERIAL SEE NOTES		CUSTOMER DRAWING		SIZE A2 CAGE CODE - DRAWING NO. C-2312148 RESTRICTED TO -
		SCALE 4:1		SHEET 2 OF 2

X-ON Electronics

Largest Supplier of Electrical and Electronic Components

Click to view similar products for [I/O Connectors](#) category:

Click to view products by [TE Connectivity](#) manufacturer:

Other Similar products are found below :

[571763P](#) [58098-0628](#) [72.250.1628.2](#) [72.250.2428.2](#) [74720-0505](#) [76.350.0729.0](#) [76871-1403](#) [FCN-244F080-G/1](#) [FCN-260A9920](#) [PCR-E36PM](#) [PCS-XE26MA+](#) [G38A71314B](#) [1571250010](#) [157-22500-3](#) [MS3471L14-19P L/C](#) [172501-4002](#) [172501-6002](#) [FCN-260C008-A/L0](#) [FCN-260C024-AL0](#) [FCN-261Z008](#) [2000314-1](#) [200331-1](#) [PCR-E36FC+](#) [PCS-E28FS+](#) [PCS-XE26SLFD+](#) [PCS-XE26SLFDT+](#) [G730VID08BDC24](#) [U90B2054081210](#) [38113800006](#) [DP3AR020WQ1R200](#) [Z4.102.0680.0](#) [500-1040](#) [500-1052](#) [500-1054](#) [ZP-4008-66L](#) [0709821002](#) [DX40-20P\(55\)](#) [5554841-1](#) [MS3474W18-8P-LC*](#) [U90B3054061110](#) [U65-E04-4020](#) [ZPF000000000097891](#) [747360449](#) [10099439-003C-TRLF](#) [10137239-0021LF](#) [E9320-001-01](#) [10137239-0011LF](#) [70289-001LF](#) [70.060.1028.0](#) [109029-ZZ](#)