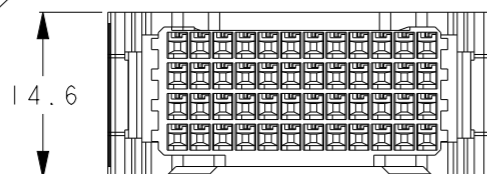
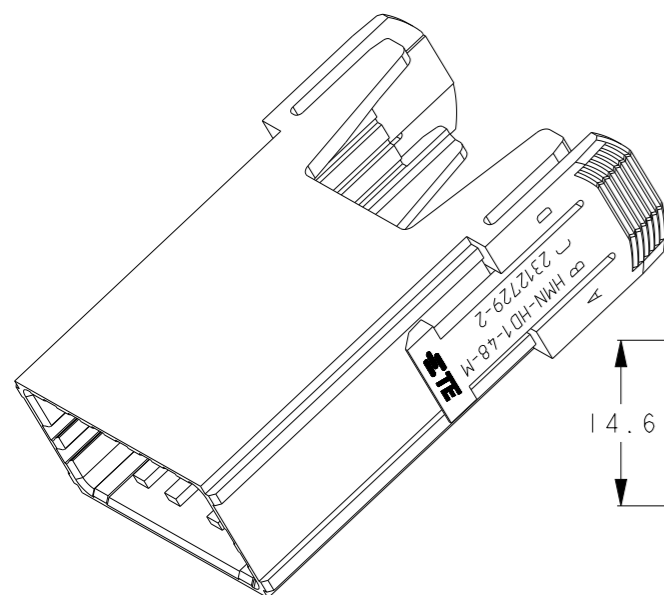


REVISIONS

P	LTR	DESCRIPTION	DATE	DWN	APVD
	A	RELEASED	13DEC2017	RI	EI
	A1	REVISED PER ECR-18-004154	04APR2018	RI	EI
	A2	REVISED PER ECR-18-007678	20JUN2018	TS	EI
	B	ECR-21-111778	09SEP2021	DW	CW



- TECHNICAL CHARACTERISTICS :
 INSULATION MATERIAL : PBT
 RATED VOLTAGE : 32V
 RATED CURRENT : 2.2A
 INSULATION RESISTANCE : $\geq 100M\Omega$
 RATED IMPULSE VOLTAGE : 0.8KV
 POLLUTION DEGREE : 3
 FLAMMABILITY : UL94V-0
 MATING CYCLES : 500 CYCLES
 OPERATION TEMPERATURE : $-40^{\circ}C \sim +125^{\circ}C$
 WIRE RANGE : 0.05SQmm~0.37SQmm
 CONTACT TYPE : CRIMP CONTACT
- CONTACT NEED TO BE ORDERED SEPARATELY.
 (ORDER No. REFER TO DRAWING : SEE TABLE 1)
- FRAMES NEED TO BE ORDERED SEPARATELY.
 (ORDER No. REFER TO DRAWING : SEE TABLE 2)

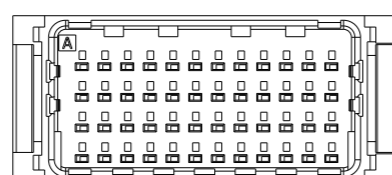
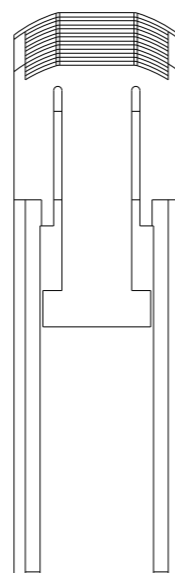
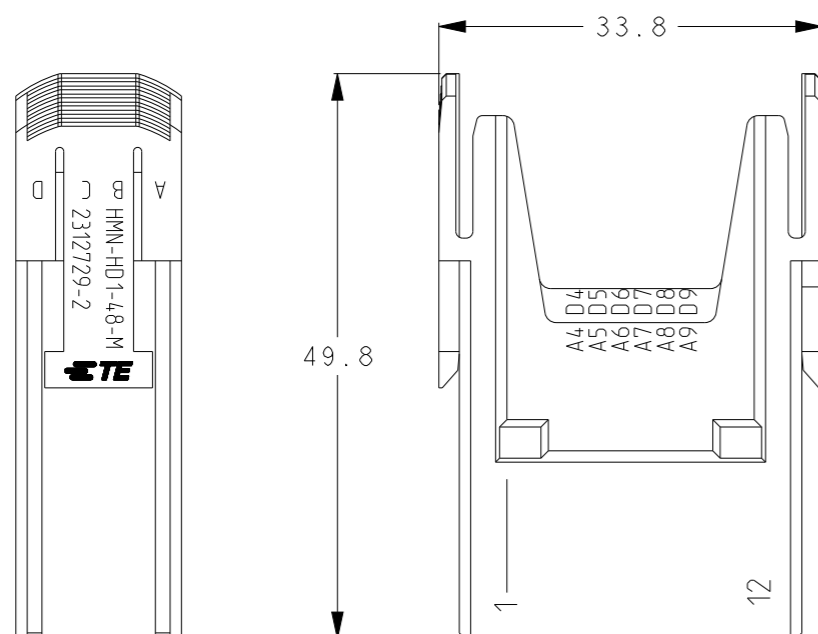



TABLE 1

INSULATION RANGE	WIRE RANGE	SIZE	PART NUMBER		DESCRIPTION
			REEL	L/P	
1.08-1.6	AWG28-22, 0.08-0.37SQmm	M	2316663-2	2316669-2	HDI TAB CONTACT
0.6-1.2	AWG30-28, 0.05-0.10SQmm	S	2316663-1	2316669-1	

TABLE 2

DESCRIPTION	PART NUMBER
H24B MALE FRAME FOR 6 MODULES	T2070244101-002
H16B MALE FRAME FOR 4 MODULES	T2070164101-002
H10B MALE FRAME FOR 3 MODULES	T2070104101-002
H6B MALE FRAME FOR 2 MODULES	T2070064101-002
H10A MALE FRAME FOR 1 MODULE	T2079104101-002

2312729-2
PART NUMBER

THIS DRAWING IS A CONTROLLED DOCUMENT.		DWN R. ITO 13DEC2017	 TE Connectivity NAME MODULE INSERT, HMN-HDI-48-M HDC DYNAMIC					
DIMENSIONS: mm		CHK T. SHIMOYASU 13DEC2017				SIZE	CAGE CODE	DRAWING NO
TOLERANCES UNLESS OTHERWISE SPECIFIED:		APVD E. IKEMATSU 13DEC2017				114-78022	-	©-2312729
0 PLC ±0.5 1 PLC ±0.5 2 PLC ±0.5 3 PLC ±0.5 4 PLC ±0.5 ANGLES ±5° FINISH -		PRODUCT SPEC 108-140152				WEIGHT 11.2g	RESTRICTED TO	-
MATERIAL SEE NOTE		APPLICATION SPEC 114-78022	CUSTOMER DRAWING	SCALE 3:2	SHEET 1 OF 1			
					REV B			

X-ON Electronics

Largest Supplier of Electrical and Electronic Components

Click to view similar products for [Rectangular MIL Spec Connectors](#) category:

Click to view products by [TE Connectivity](#) manufacturer:

Other Similar products are found below :

[891-011-15SA2-BSST](#) [CTS-S16/16](#) [65002-062](#) [CY4602-000](#) [732-8020-01](#) [77058-22-55PN](#) [81542-20](#) [86.030.0053.0](#) [1241346-1](#) [RM252-020-311-2900](#) [DMC-M 08-16 SA](#) [DMC-M 08-16 SAE](#) [1589051-4](#) [MSO34MPK1E1](#) [BACC65CAMA](#) [BACC65CP1PN](#)
[BACI10BC0816PNBA](#) [HSB-D4S03DM222X](#) [2217548-1](#) [891-006-9PS-BST1T](#) [891-009-15SA2-BRT1T](#) [27963-20T12](#) [SIM2N40NC3](#)
[SIM2S100A](#) [1604996-2](#) [SMD25PN90L-4055](#) [1900ND08S1B00A](#) [22628-10-6P-791](#) [RE04-212S](#) [M32139/03-G05SN](#) [CTD160E01F-6148](#)
[CTJ112E03B](#) [CTJ122E02D-8000](#) [CTJ-3D-12](#) [CTJ920E06N-513](#) [CTJ920E12N-513](#) [CTL-16-090](#) [CY4600-000](#) [CY4601-000](#) [38111-14-15SN](#)
[38112-14-15PN](#) [MMA23-0111R1](#) [MMD25-0071P1](#) [33516062020](#) [33526M11-08PE](#) [DMC-M99-01AN](#) [Y59113WE20PNV00300](#)
[ZPF000000000106310](#) [105979-31](#) [EN4165M01AD0G0](#)