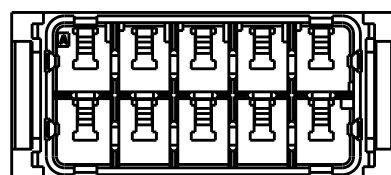
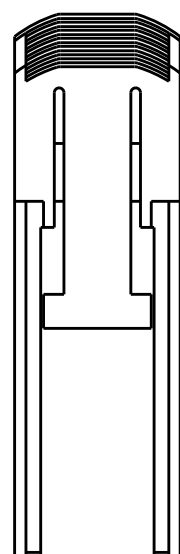
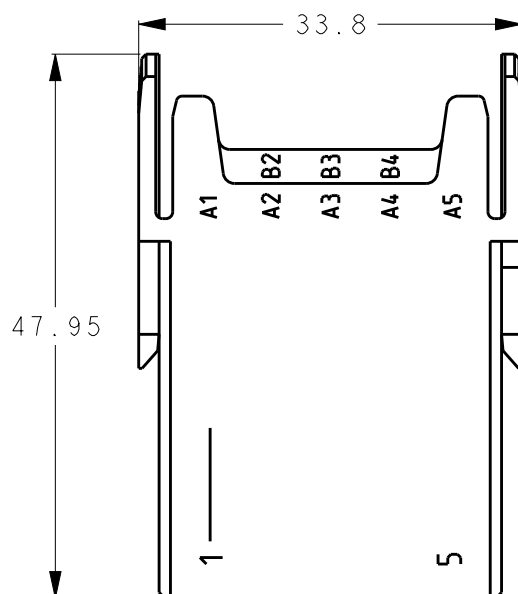
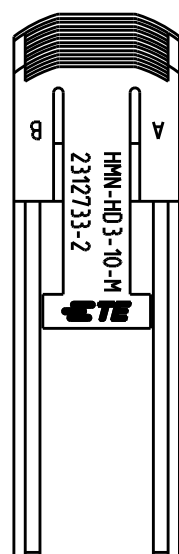
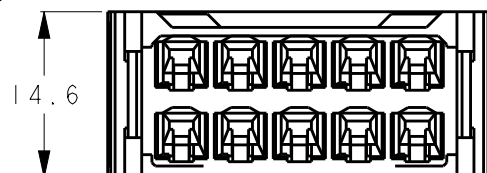
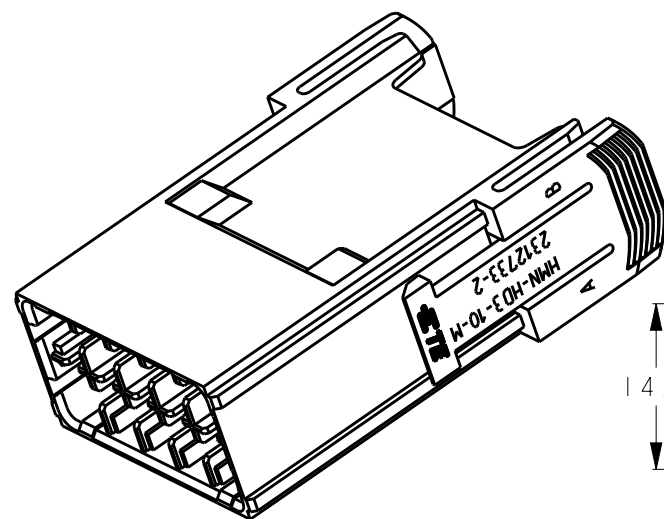


REVISIONS

| P | LTR | DESCRIPTION | DATE | DWN | APVD |
|---|-----|---------------------------|-----------|-----|------|
| | A | RELEASED | 13DEC2017 | RI | EI |
| | A1 | REVISED PER ECR-18-009661 | 21JUN2018 | TS | EI |
| | A2 | REVISED PER ECR-19-005449 | 22APR2019 | DW | CW |



- TECHNICAL CHARACTERISTICS :
 INSULATION MATERIAL : PBT
 RATED VOLTAGE : 400V
 RATED CURRENT : 11A
 INSULATION RESISTANCE : $\geq 100M\Omega$
 RATED IMPULSE VOLTAGE : 6KV
 POLLUTION DEGREE : 3
 FLAMMABILITY : UL94V-0
 MATING CYCLES : SEE TABLE 1
 OPERATION TEMPERATURE : $-40^{\circ}C \sim +125^{\circ}C$
 WIRE RANGE : 0.08 SQmm~2.20 SQmm
 CONTACT TYPE : CRIMP CONTACT
- CONTACT NEED TO BE ORDERED SEPARATELY.
 (ORDER No. REFER TO DRAWING : SEE TABLE 1)
- FRAMES NEED TO BE ORDERED SEPARATELY.
 (ORDER No. REFER TO DRAWING : SEE TABLE 2)

TABLE 1

| MATING CYCLES | INSULATION RANGE | WIRE RANGE | SIZE | PART NUMBER | | DESCRIPTION |
|---------------|------------------|-------------------------|------|-------------|-----------|--------------------|
| | | | | REEL | L/P | |
| 4000 | 2.2-2.8 | AWG16-14, 1.25-2.20SQmm | 2L | 1-2316815-9 | - | HD3 TAB CONTACT |
| | 1.8-2.8 | AWG20-16, 0.50-1.25SQmm | L | 1-2316815-8 | - | |
| 500 | 3.1-3.8 | AWG16-14, 1.25-2.20SQmm | 3L | 2316815-5 | 2316817-5 | |
| | 2.2-2.8 | AWG16-14, 1.25-2.20SQmm | 2L | 2316815-4 | 2316817-4 | |
| | 1.8-2.8 | AWG20-16, 0.50-1.25SQmm | L | 2316815-3 | 2316817-3 | |
| | 1.2-2.6 | AWG24-20, 0.20-0.50SQmm | M | 2316815-2 | 2316817-2 | |
| | 0.8-1.4 | AWG28-24, 0.08-0.20SQmm | S | 2316815-1 | 2316817-1 | |

TABLE 2

| DESCRIPTION | PART NUMBER |
|-------------------------------|-----------------|
| H24B MALE FRAME FOR 6 MODULES | T2070244101-002 |
| H16B MALE FRAME FOR 4 MODULES | T2070164101-002 |
| H10B MALE FRAME FOR 3 MODULES | T2070104101-002 |
| H6B MALE FRAME FOR 2 MODULES | T2070064101-002 |
| H10A MALE FRAME FOR 1 MODULE | T2079104101-002 |

2312733-2
PART NUMBER

| | | | | |
|---|--|----------------------------------|---|-------------------------|
| THIS DRAWING IS A CONTROLLED DOCUMENT. | | DWN R. ITO 13DEC2017 | TE Connectivity | |
| DIMENSIONS: mm | | CHK T. SHIMOYASU 13DEC2017 | | |
| TOLERANCES UNLESS OTHERWISE SPECIFIED: | | APVD F. IKEMATSU 13DEC2017 | NAME MODULE INSERT HMN-HD3-10-M HDC DYNAMIC | |
| 0 PLC ± 0.5 1 PLC ± 0.5 2 PLC ± 0.5 3 PLC ± 0.5 4 PLC ± 0.5 ANGLES $\pm 5^{\circ}$ | | PRODUCT SPEC 108-140158 | RESTRICTED TO | |
| MATERIAL SEE NOTE | | FINISH - | APPLICATION SPEC 114-78026 | SIZE A3 |
| | | WEIGHT 13.0g | CAGE CODE - | DRAWING NO C-2312733 |
| | | CUSTOMER DRAWING | SCALE 3:2 | SHEET 1 OF 1 |
| | | | | REV A2 |

X-ON Electronics

Largest Supplier of Electrical and Electronic Components

Click to view similar products for [Rectangular MIL Spec Connectors](#) category:

Click to view products by [TE Connectivity](#) manufacturer:

Other Similar products are found below :

[891-011-15SA2-BSST](#) [CTS-S16/16](#) [65002-062](#) [CY4602-000](#) [732-8020-01](#) [77058-22-55PN](#) [81542-20](#) [86.030.0053.0](#) [1241346-1](#) [RM252-020-311-2900](#) [DMC-M 08-16 SA](#) [DMC-M 08-16 SAE](#) [1589051-4](#) [MSO34MPK1E1](#) [BACC65CAMA](#) [BACC65CP1PN](#)
[BACI10BC0816PNBA](#) [HSB-D4S03DM222X](#) [2217548-1](#) [891-006-9PS-BST1T](#) [891-009-15SA2-BRT1T](#) [27963-20T12](#) [SIM2N40NC3](#)
[SIM2S100A](#) [1604996-2](#) [SMD25PN90L-4055](#) [1900ND08S1B00A](#) [22628-10-6P-791](#) [RE04-212S](#) [M32139/03-G05SN](#) [CTD160E01F-6148](#)
[CTJ112E03B](#) [CTJ122E02D-8000](#) [CTJ-3D-12](#) [CTJ920E06N-513](#) [CTJ920E12N-513](#) [CTL-16-090](#) [CY4600-000](#) [CY4601-000](#) [38111-14-15SN](#)
[38112-14-15PN](#) [MMA23-0111R1](#) [MMD25-0071P1](#) [33516062020](#) [33526M11-08PE](#) [DMC-M99-01AN](#) [Y59113WE20PNV00300](#)
[ZPF000000000106310](#) [105979-31](#) [EN4165M01AD0G0](#)