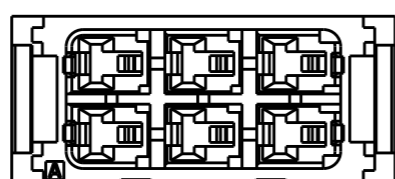
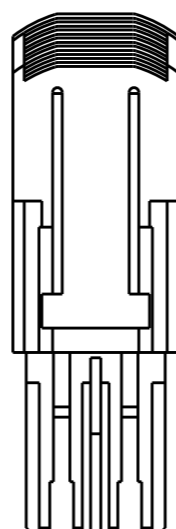
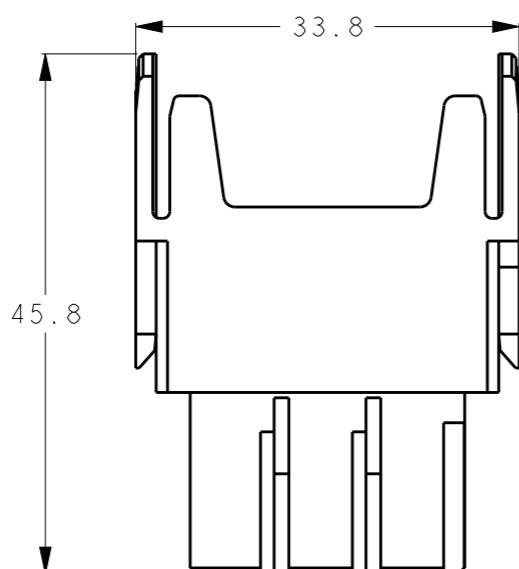
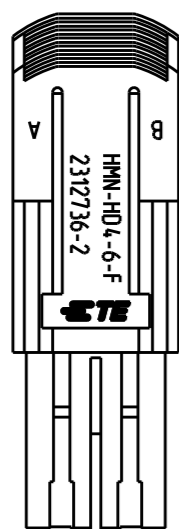
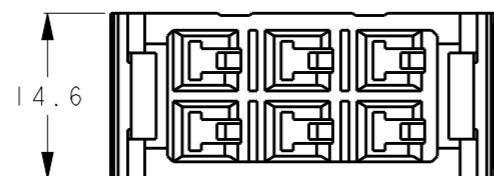
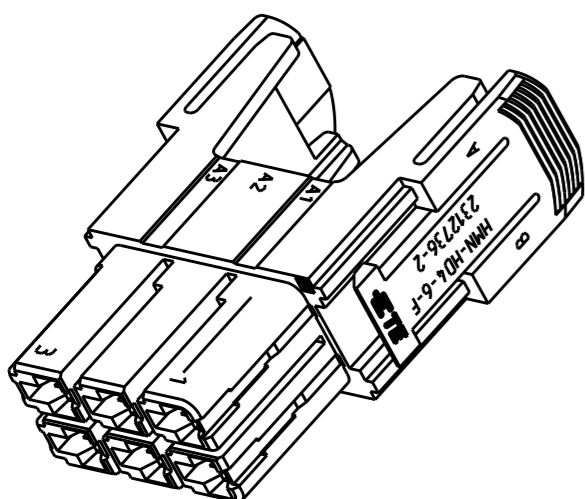


REVISIONS

P	LTR	DESCRIPTION	DATE	DWN	APVD
	A	RELEASED	13DEC2017	RI	EI



- TECHNICAL CHARACTERISTICS :  
 INSULATION MATERIAL : PBT  
 RATED VOLTAGE : 500V  
 RATED CURRENT : 16A  
 INSULATION RESISTANCE :  $\geq 100M\Omega$   
 RATED IMPULSE VOLTAGE : 6KV  
 POLLUTION DEGREE : 3  
 FLAMMABILITY : UL94V-0  
 MATING CYCLES : 100 CYCLES  
 OPERATION TEMPERATURE :  $-40^{\circ}C \sim +125^{\circ}C$   
 WIRE RANGE : 0.34SQmm~3.62SQmm  
 CONTACT TYPE : CRIMP CONTACT
- CONTACT NEED TO BE ORDERED SEPARATELY.  
 (ORDER No. REFER TO DRAWING : SEE TABLE 1)
- FRAMES NEED TO BE ORDERED SEPARATELY.  
 (ORDER No. REFER TO DRAWING : SEE TABLE 2)

TABLE 1

INSULATION RANGE	WIRE RANGE	SIZE	REEL	L/P	DESCRIPTION
2.9-4.2	AWG14-12, 2.08-3.62SQmm	L	1747415-2	1747498-2	D4 RECEPTACLE CONTACT
2.0-3.75	AWG16-14, 1.23-2.18SQmm	M	1747418-2	1747499-2	
1.8-3.23	AWG20-16, 0.50-1.42SQmm	S	2040015-2	2040587-1	
1.58-2.56	AWG22-20, 0.34-0.56SQmm	SS	2287721-2	2288020-1	
			PART NUMBER		

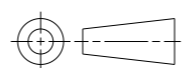
TABLE 2

H24B FEMALE FRAME FOR 6 MODULES	T2070244201-002
H16B FEMALE FRAME FOR 4 MODULES	T2070164201-002
H10B FEMALE FRAME FOR 3 MODULES	T2070104201-002
H6B FEMALE FRAME FOR 2 MODULES	T2070064201-002
H10A FEMALE FRAME FOR 1 MODULE	T2079104201-002
DESCRIPTION	PART NUMBER

2312736-2  
PART NUMBER

THIS DRAWING IS A CONTROLLED DOCUMENT.

DIMENSIONS:  
mm



TOLERANCES UNLESS OTHERWISE SPECIFIED:

0 PLC	±0.5
1 PLC	±0.5
2 PLC	±0.5
3 PLC	±0.5
4 PLC	±0.5
ANGLES	±5°

MATERIAL  
SEE NOTE

FINISH  
-

DWN R. ITO 13DEC2017  
 CHK T. SHIMOYASU 13DEC2017  
 APVD F. IKEMATSU 13DEC2017  
 PRODUCT SPEC 108-140159  
 APPLICATION SPEC 114-78027  
 WEIGHT 10.7g

CUSTOMER DRAWING



NAME  
MODULE INSERT HMN-HD4-6-F  
HDC DYNAMIC

SIZE	CAGE CODE	DRAWING NO	RESTRICTED TO
------	-----------	------------	---------------

A3	-	©-2312736	-
----	---	-----------	---

SCALE	SHEET	OF	REV
3:2	1	1	A

## X-ON Electronics

Largest Supplier of Electrical and Electronic Components

*Click to view similar products for [Rectangular MIL Spec Connectors](#) category:*

*Click to view products by [TE Connectivity](#) manufacturer:*

Other Similar products are found below :

[891-011-15SA2-BSST](#) [CTS-S16/16](#) [65002-062](#) [CY4602-000](#) [732-8020-01](#) [77058-22-55PN](#) [81542-20](#) [86.030.0053.0](#) [1241346-1](#) [RM252-020-311-2900](#) [DMC-M 08-16 SA](#) [DMC-M 08-16 SAE](#) [1589051-4](#) [MSO34MPK1E1](#) [BACC65CAMA](#) [BACC65CP1PN](#)  
[BACI10BC0816PNBA](#) [HSB-D4S03DM222X](#) [2217548-1](#) [891-006-9PS-BST1T](#) [891-009-15SA2-BRT1T](#) [27963-20T12](#) [SIM2N40NC3](#)  
[SIM2S100A](#) [1604996-2](#) [SMD25PN90L-4055](#) [1900ND08S1B00A](#) [22628-10-6P-791](#) [RE04-212S](#) [M32139/03-G05SN](#) [CTD160E01F-6148](#)  
[CTJ112E03B](#) [CTJ122E02D-8000](#) [CTJ-3D-12](#) [CTJ920E06N-513](#) [CTJ920E12N-513](#) [CTL-16-090](#) [CY4600-000](#) [CY4601-000](#) [38111-14-15SN](#)  
[38112-14-15PN](#) [MMA23-0111R1](#) [MMD25-0071P1](#) [33516062020](#) [33526M11-08PE](#) [DMC-M99-01AN](#) [Y59113WE20PNV00300](#)  
[ZPF000000000106310](#) [105979-31](#) [EN4165M01AD0G0](#)