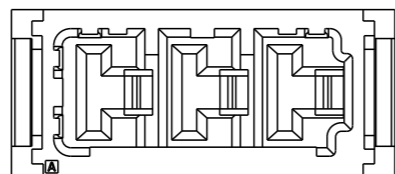
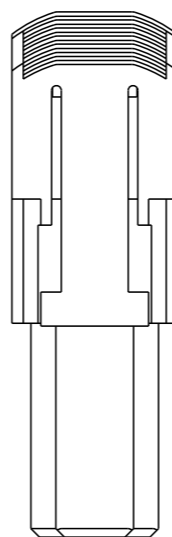
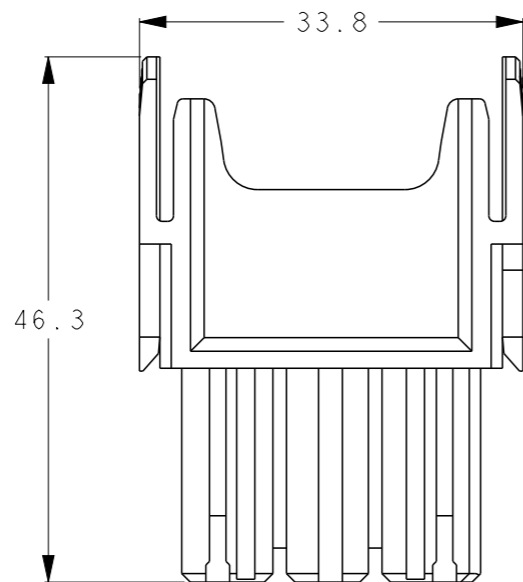
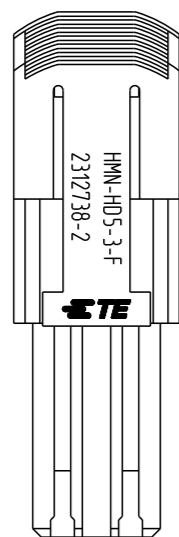
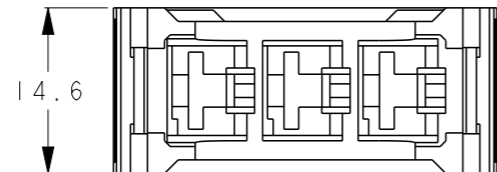
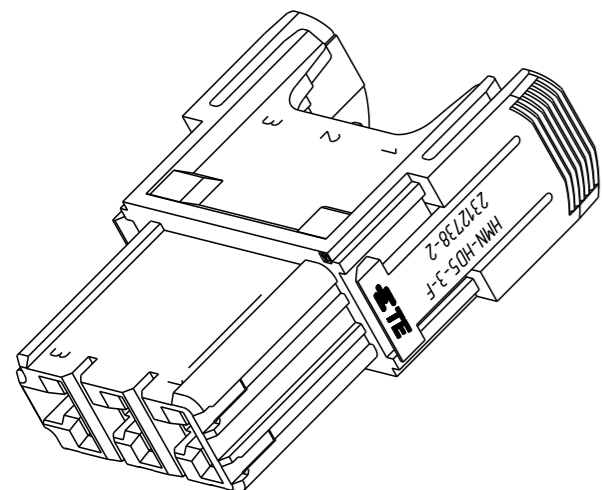


REVISIONS

P	LTR	DESCRIPTION	DATE	DWN	APVD
	A	RELEASED	13DEC2017	RI	EI
	B	REVISED PER ECR-18-016797	25OCT2018	RI	EI



1. TECHNICAL CHARACTERISTICS :
 INSULATION MATERIAL : PBT
 RATED VOLTAGE : 300V
 RATED CURRENT : 40A
 INSULATION RESISTANCE : $\geq 1000M\Omega$
 RATED IMPULSE VOLTAGE : 4KV
 POLLUTION DEGREE : 3
 FLAMMABILITY : UL94V-0
 MATING CYCLES : 100 CYCLES
 OPERATION TEMPERATURE : $-40^{\circ}C \sim +125^{\circ}C$
 WIRE RANGE : 1.23Qmm~8.92SQmm
 CONTACT TYPE : CRIMP CONTACT
2. CONTACT NEED TO BE ORDERED SEPARATELY.
 (ORDER No. REFER TO DRAWING : SEE TABLE 1)
3. FRAMES NEED TO BE ORDERED SEPARATELY.
 (ORDER No. REFER TO DRAWING : SEE TABLE 2)

TABLE 1

INSULATION RANGE	WIRE RANGE	SIZE	PART NUMBER		DESCRIPTION
			REEL	L/P	
4.9-7.8	AWG8, 7.95-8.92SQmm	L	1318696-2	1318697-2	D5 RECEPTACLE CONTACT
4.0-5.2	AWG12-10, 3.08-5.50SQmm	M	179956-2	316041-2	
3.0-3.8	AWG16-14, 1.23-2.27SQmm	S	179955-2	316040-2	

TABLE 2

DESCRIPTION	PART NUMBER
H24B FEMALE FRAME FOR 6 MODULES	T2070244201-002
H16B FEMALE FRAME FOR 4 MODULES	T2070164201-002
H10B FEMALE FRAME FOR 3 MODULES	T2070104201-002
H6B FEMALE FRAME FOR 2 MODULES	T2070064201-002
H10A FEMALE FRAME FOR 1 MODULE	T2079104201-002

2312738-2
PART NUMBER

THIS DRAWING IS A CONTROLLED DOCUMENT.		DWN R. ITO 13DEC2017	TE Connectivity NAME MODULE INSERT HMN-HD5-3-F HDC DYNAMIC				
DIMENSIONS: mm		CHK T. SHIMOYASU 13DEC2017				PRODUCT SPEC 108-140160	RESTRICTED TO
TOLERANCES UNLESS OTHERWISE SPECIFIED:		APVD E. IKEMATSU 13DEC2017				APPLICATION SPEC 114-78028	
0 PLC ± 0.5 1 PLC ± 0.5 2 PLC ± 0.5 3 PLC ± 0.5 4 PLC ± 0.5 ANGLES $\pm 5^{\circ}$		WEIGHT 11.3g				SCALE 3:2	SHEET 1 OF 1
MATERIAL SEE NOTE		FINISH -	CUSTOMER DRAWING	REV B			

X-ON Electronics

Largest Supplier of Electrical and Electronic Components

Click to view similar products for [Rectangular MIL Spec Connectors](#) category:

Click to view products by [TE Connectivity](#) manufacturer:

Other Similar products are found below :

[891-011-15SA2-BSST](#) [CTS-S16/16](#) [65002-062](#) [CY4602-000](#) [732-8020-01](#) [77058-22-55PN](#) [81542-20](#) [86.030.0053.0](#) [1241346-1](#) [RM252-020-311-2900](#) [DMC-M 08-16 SA](#) [DMC-M 08-16 SAE](#) [1589051-4](#) [MSO34MPK1E1](#) [BACC65CAMA](#) [BACC65CP1PN](#) [BACI10BC0816PNBA](#) [HSB-D4S03DM222X](#) [2217548-1](#) [891-006-9PS-BST1T](#) [891-009-15SA2-BRT1T](#) [27963-20T12](#) [SIM2N40NC3](#) [SIM2S100A](#) [1604996-2](#) [SMD25PN90L-4055](#) [1900ND08S1B00A](#) [22628-10-6P-791](#) [GMCT50F0T0000](#) [RE04-212S](#) [M32139/03-G05SN](#) [CTD160E01F-6148](#) [CTJ112E03B](#) [CTJ122E02D-8000](#) [CTJ-3D-12](#) [CTJ920E06N-513](#) [CTJ920E12N-513](#) [CTL-16-090](#) [CY4600-000](#) [CY4601-000](#) [38111-14-15SN](#) [38112-14-15PN](#) [MMA23-0111R1](#) [MMD25-0071P1](#) [33516062020](#) [33526M11-08PE](#) [DMC-M99-01AN](#) [Y59113WE20PNV00300](#) [ZPF000000000106310](#) [105979-31](#)