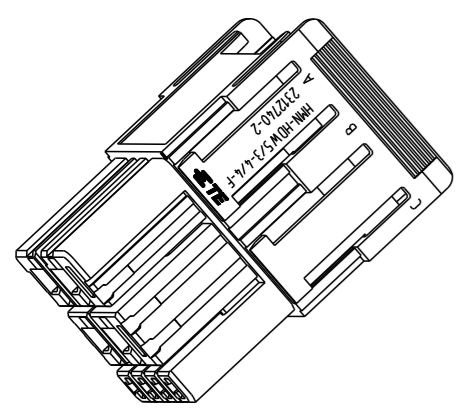


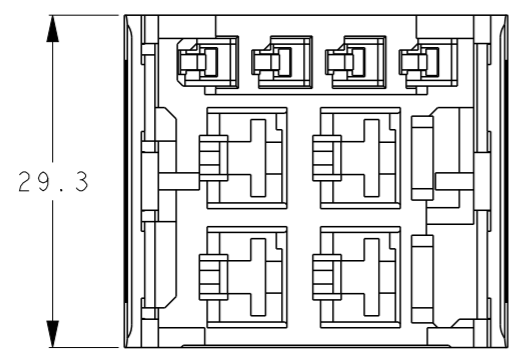
THIS DRAWING IS UNPUBLISHED. RELEASED FOR PUBLICATION 20
 © COPYRIGHT 20 BY - ALL RIGHTS RESERVED.

REVISIONS

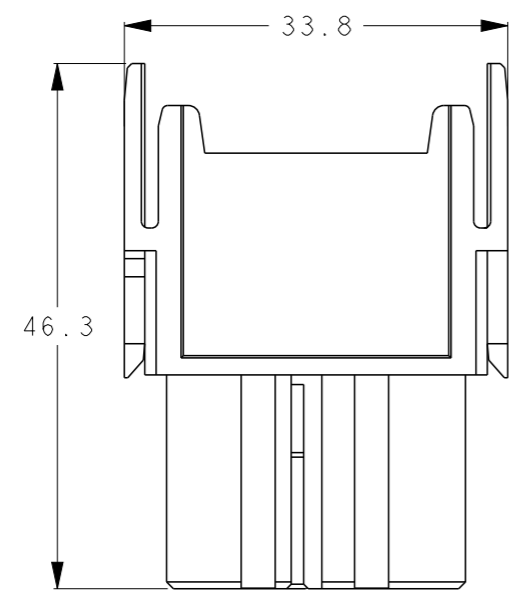
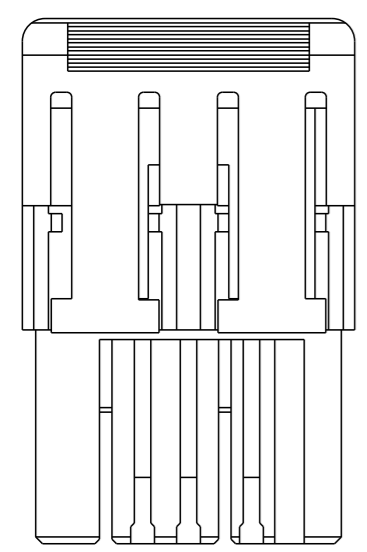
P	LTR	DESCRIPTION	DATE	DWN	APVD
	A	REVISED PER ECR-19-003017	25FEB2019	RI	EI



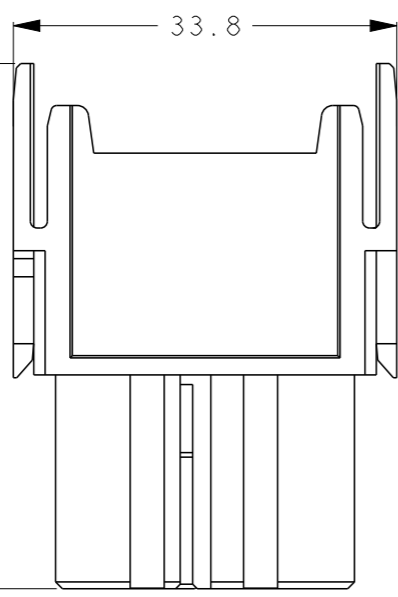
SCALE 1:1



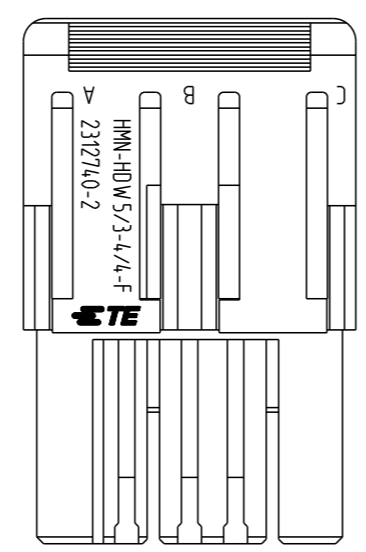
29.3



46.3



33.8



1. TECHNICAL CHARACTERISTICS :
 INSULATION MATERIAL : PBT
 RATED VOLTAGE : HD5 800V/HD3 800V
 RATED CURRENT : HD5 40A/HD3 11A
 INSULATION RESISTANCE : >=100MΩ
 RATED IMPULSE VOLTAGE : 8KV
 POLLUTION DEGREE : 3
 FLAMMABILITY : UL94V-0
 MATING CYCLES : 100 CYCLES
 OPERATION TEMPERATURE : -40°C~+125°C
 WIRE RANGE : HD5 1.23SQmm~8.92SQmm
 HD3 0.08SQmm~2.20SQmm
 CONTACT TYPE : CRIMP CONTACT
 2. CONTACT NEED TO BE ORDERED SEPARATELY.
 (ORDER No. REFER TO DRAWING : SEE TABLE)

TABLE 1

INSULATION RANGE	WIRE RANGE	SIZE	SERIES	REEL	L/P	DESCRIPTION
3.1-3.8	AWG16-14, 1.25-2.20SQmm	3L	HD3	2298107-5	2311162-5	D3 FMLB RECEPTACLE CONTACT
2.2-2.8	AWG16-14, 1.25-2.20SQmm	2L	HD3	2298107-4	2311162-4	
1.8-2.8	AWG20-16, 0.50-1.25SQmm	L	HD3	2298107-3	2311162-3	
1.2-2.6	AWG24-20, 0.20-0.50SQmm	M	HD3	2298107-2	2311162-2	
0.8-1.4	AWG28-24, 0.08-0.20SQmm	S	HD3	2298107-1	2311162-1	D5 RECEPTACLE CONTACT
4.9-7.8	AWG8, 7.95-8.92SQmm	L	HD5	1318696-2	1318697-2	
4.0-5.2	AWG12-10, 3.08-5.50SQmm	M	HD5	179956-2	316041-2	
3.0-3.8	AWG16-14, 1.23-2.27SQmm	S	HD5	179955-2	316040-2	
				PART NUMBER		

TABLE 2

DESCRIPTION	PART NUMBER
H24B MALE FRAME FOR 6 MODULES	T2070244201-002
H16B MALE FRAME FOR 4 MODULES	T2070164201-002
H10B MALE FRAME FOR 3 MODULES	T2070104201-002
H6B MALE FRAME FOR 2 MODULES	T2070064201-002

2312740-2
PART NUMBER

THIS DRAWING IS A CONTROLLED DOCUMENT.

DIMENSIONS: mm	TOLERANCES UNLESS OTHERWISE SPECIFIED: 0 PLC ±0.5 1 PLC ±0.5 2 PLC ±0.5 3 PLC ±0.5 4 PLC ±0.5 ANGLES ±0.5°	DWN R. ITO 27MAR2017	TE Connectivity NAME MODULE INSERT, HMN-HDW5/3-4/4-F HDC DYNAMIC -	
		CHK E. TAKEMASA 27MAR2017		
MATERIAL SEE NOTE		APVD N. YAMASAKI 27MAR2017		SIZE 108-140161
		PRODUCT SPEC 114-78029		APPLICATION SPEC 114-78029
		WEIGHT 23.7g	RESTRICTED TO -	
		CUSTOMER DRAWING	SCALE 3:2 SHEET 1 OF 1 REV A	

X-ON Electronics

Largest Supplier of Electrical and Electronic Components

Click to view similar products for [Rectangular MIL Spec Connectors](#) category:

Click to view products by [TE Connectivity](#) manufacturer:

Other Similar products are found below :

[891-011-15SA2-BSST](#) [CTS-S16/16](#) [65002-062](#) [CY4602-000](#) [732-8020-01](#) [77058-22-55PN](#) [81542-20](#) [86.030.0053.0](#) [1241346-1](#) [RM252-020-311-2900](#) [DMC-M 08-16 SA](#) [DMC-M 08-16 SAE](#) [1589051-4](#) [MSO34MPK1E1](#) [BACC65CAMA](#) [BACC65CP1PN](#)
[BACI10BC0816PNBA](#) [HSB-D4S03DM222X](#) [2217548-1](#) [891-006-9PS-BST1T](#) [891-009-15SA2-BRT1T](#) [27963-20T12](#) [SIM2N40NC3](#)
[SIM2S100A](#) [1604996-2](#) [SMD25PN90L-4055](#) [1900ND08S1B00A](#) [22628-10-6P-791](#) [RE04-212S](#) [M32139/03-G05SN](#) [CTD160E01F-6148](#)
[CTJ112E03B](#) [CTJ122E02D-8000](#) [CTJ-3D-12](#) [CTJ920E06N-513](#) [CTJ920E12N-513](#) [CTL-16-090](#) [CY4600-000](#) [CY4601-000](#) [38111-14-15SN](#)
[38112-14-15PN](#) [MMA23-0111R1](#) [MMD25-0071P1](#) [33516062020](#) [33526M11-08PE](#) [DMC-M99-01AN](#) [Y59113WE20PNV00300](#)
[ZPF000000000106310](#) [105979-31](#) [EN4165M01AD0G0](#)