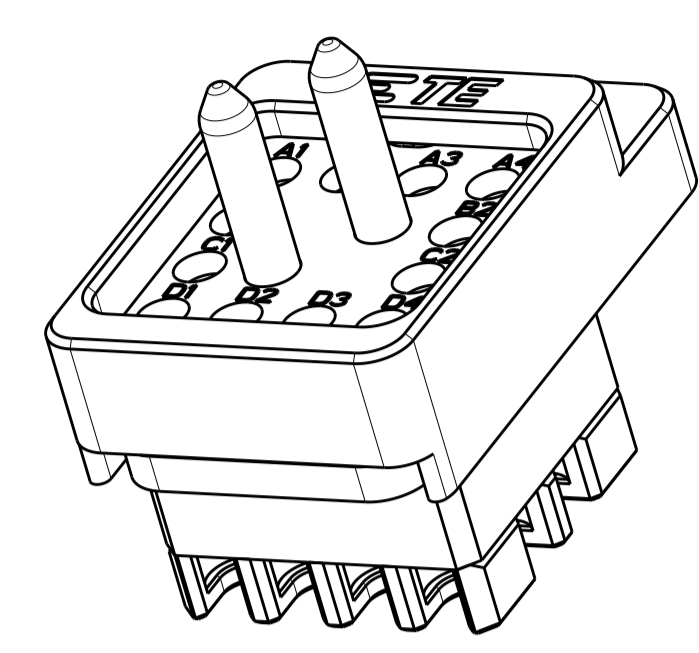
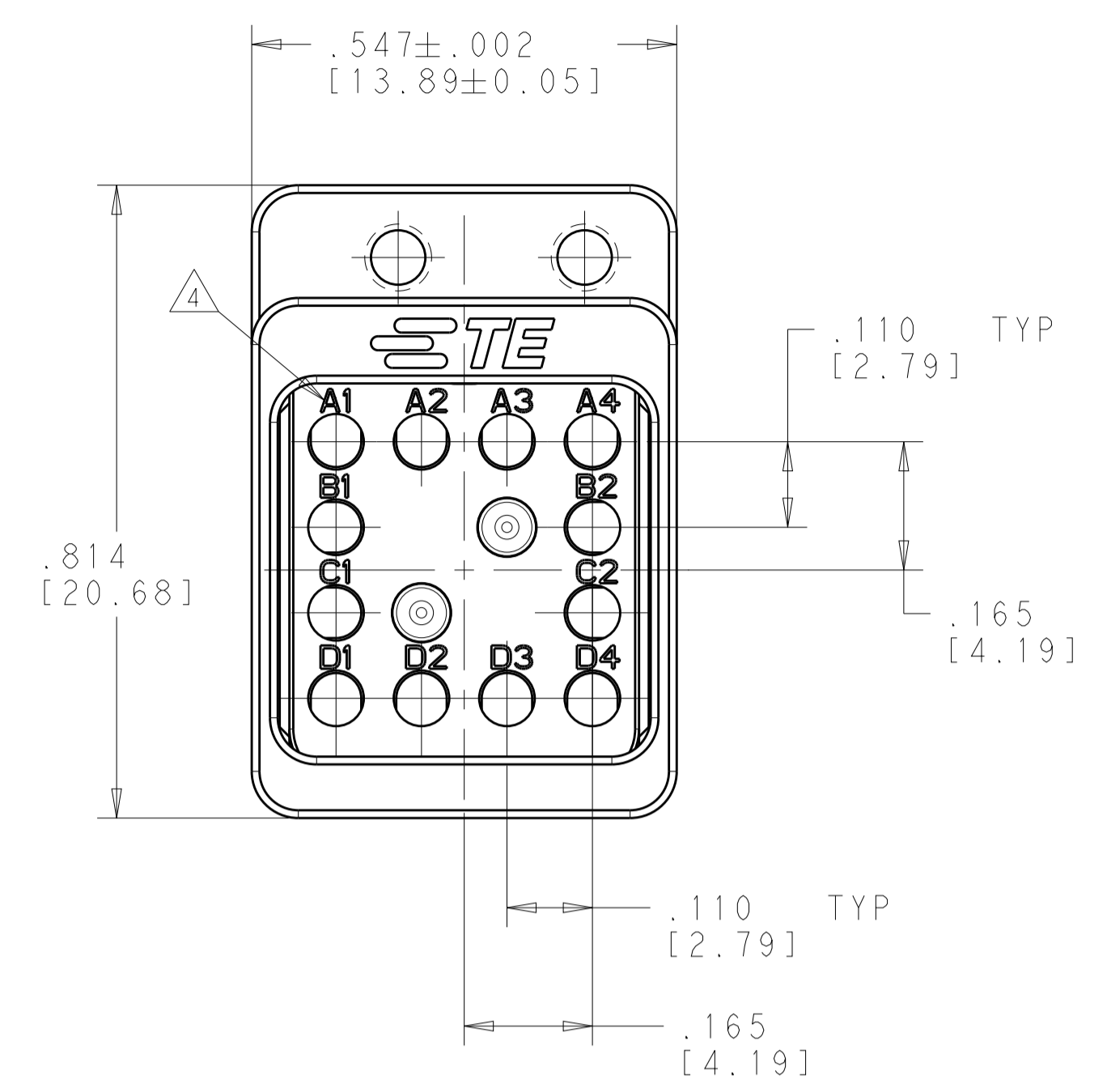
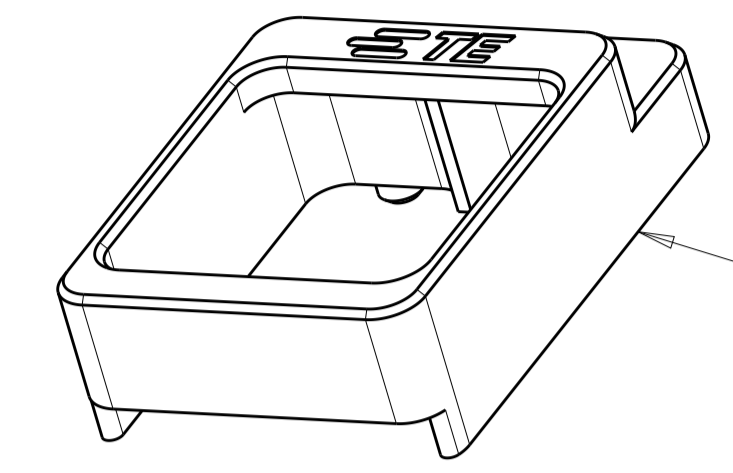


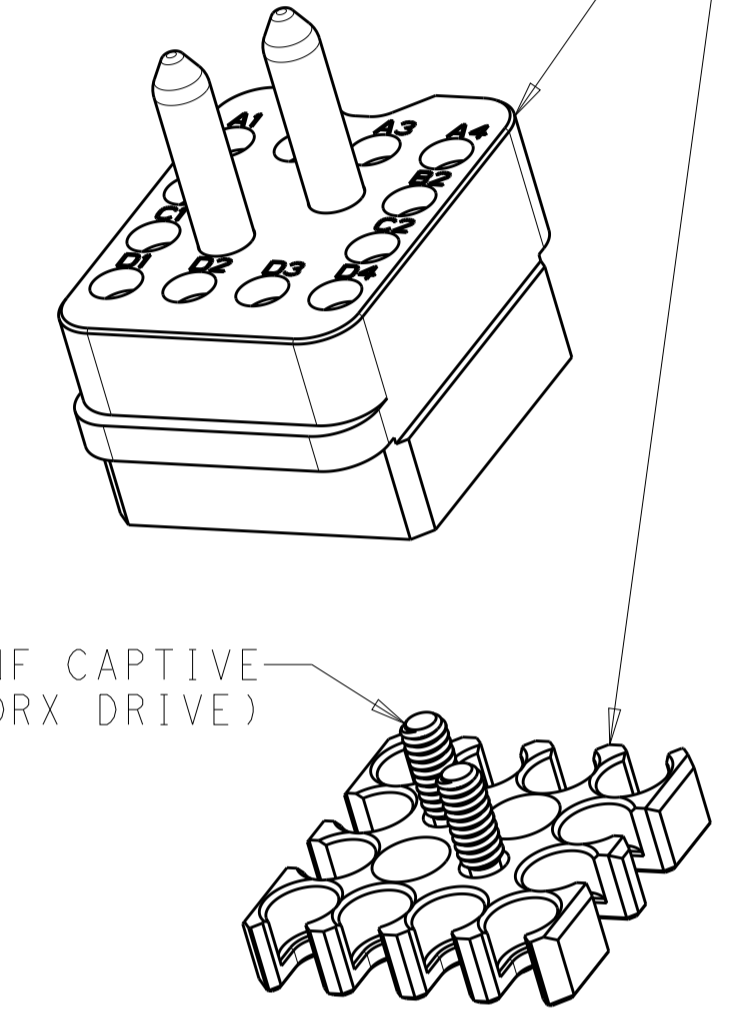
REVISIONS				
P.	LTN.	DESCRIPTION	DATE	DWN. APVD.
A		RELEASED PER ECO 18-016587	10-23-18	CT FB



SCALE 4:1

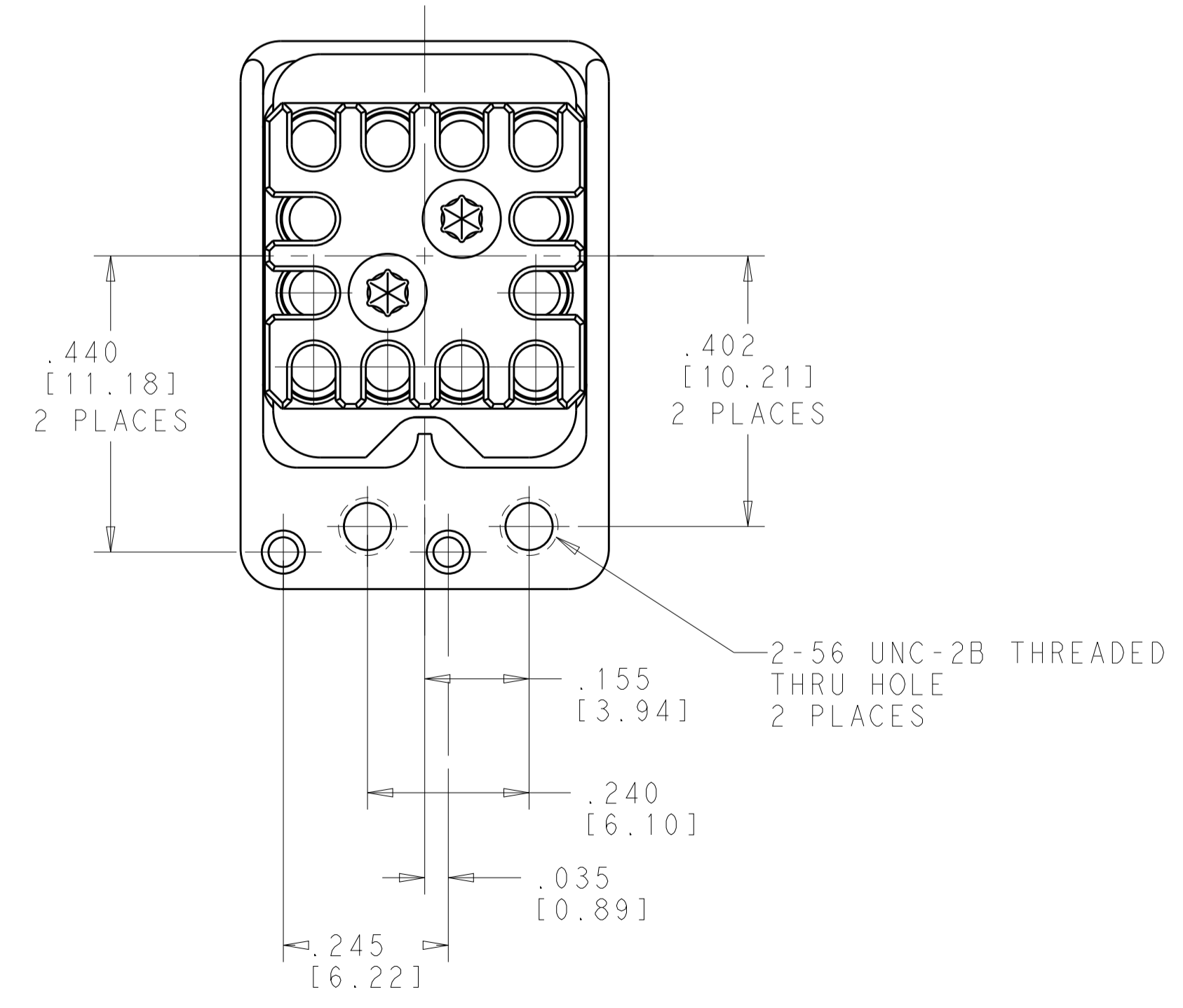
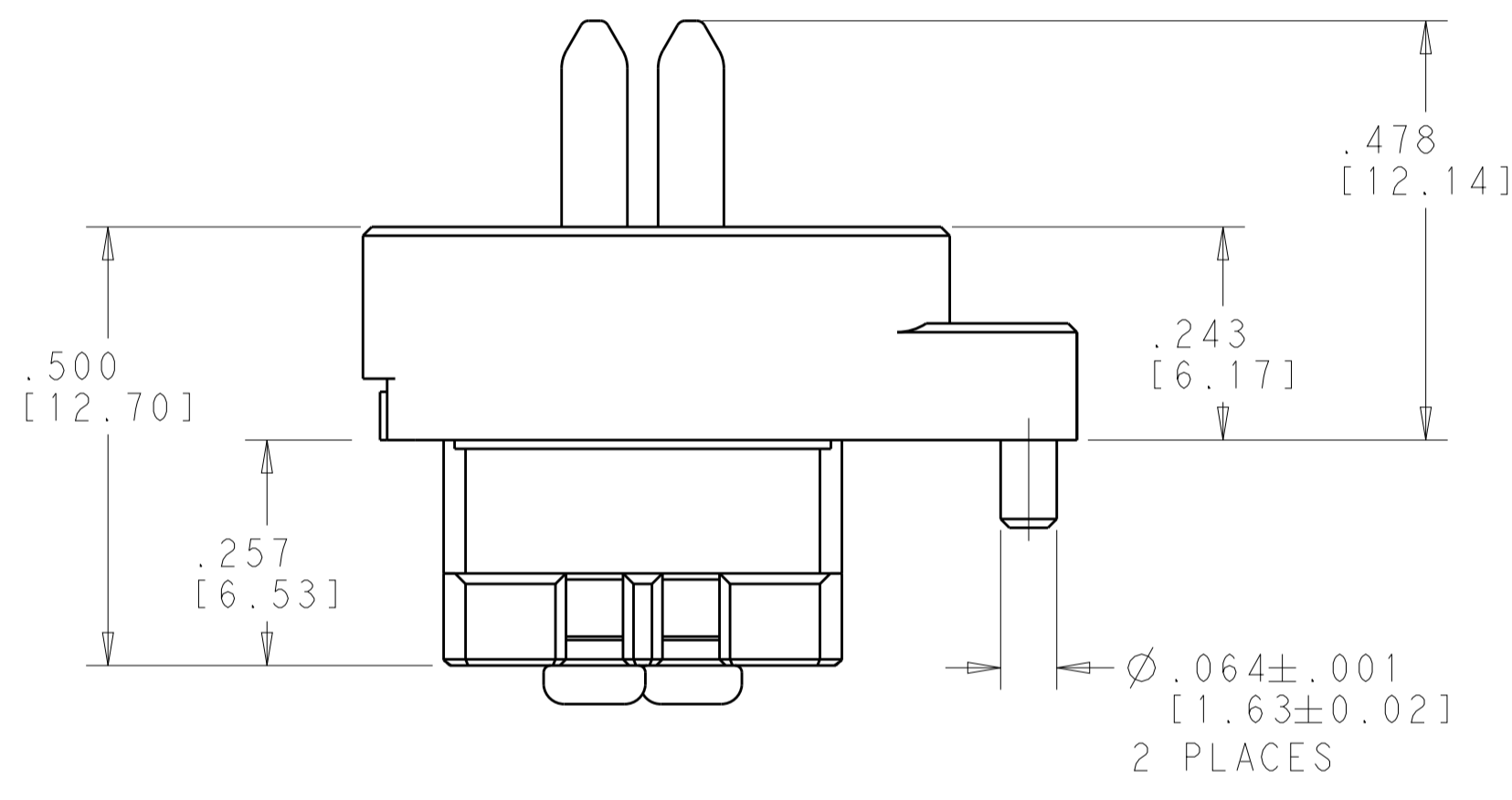
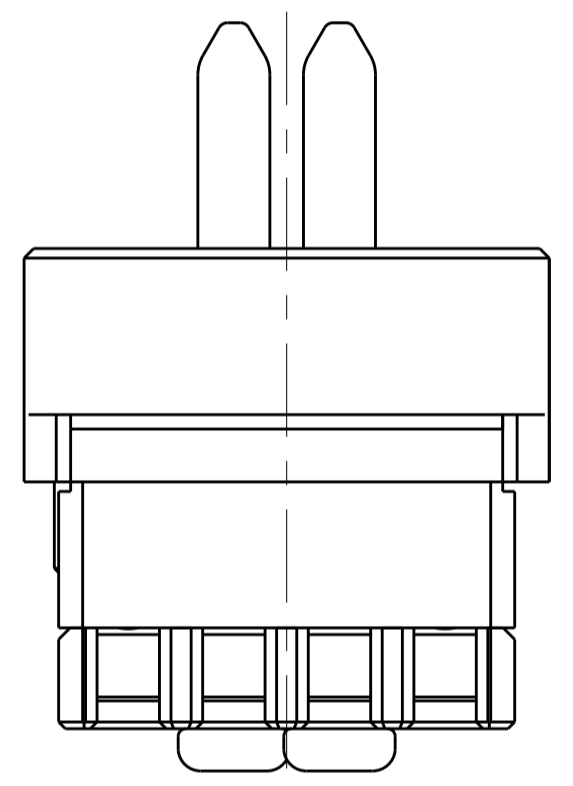


MODULE BODIES



0-80 UNF CAPTIVE SCREW (TORX DRIVE)

SCALE 4:1

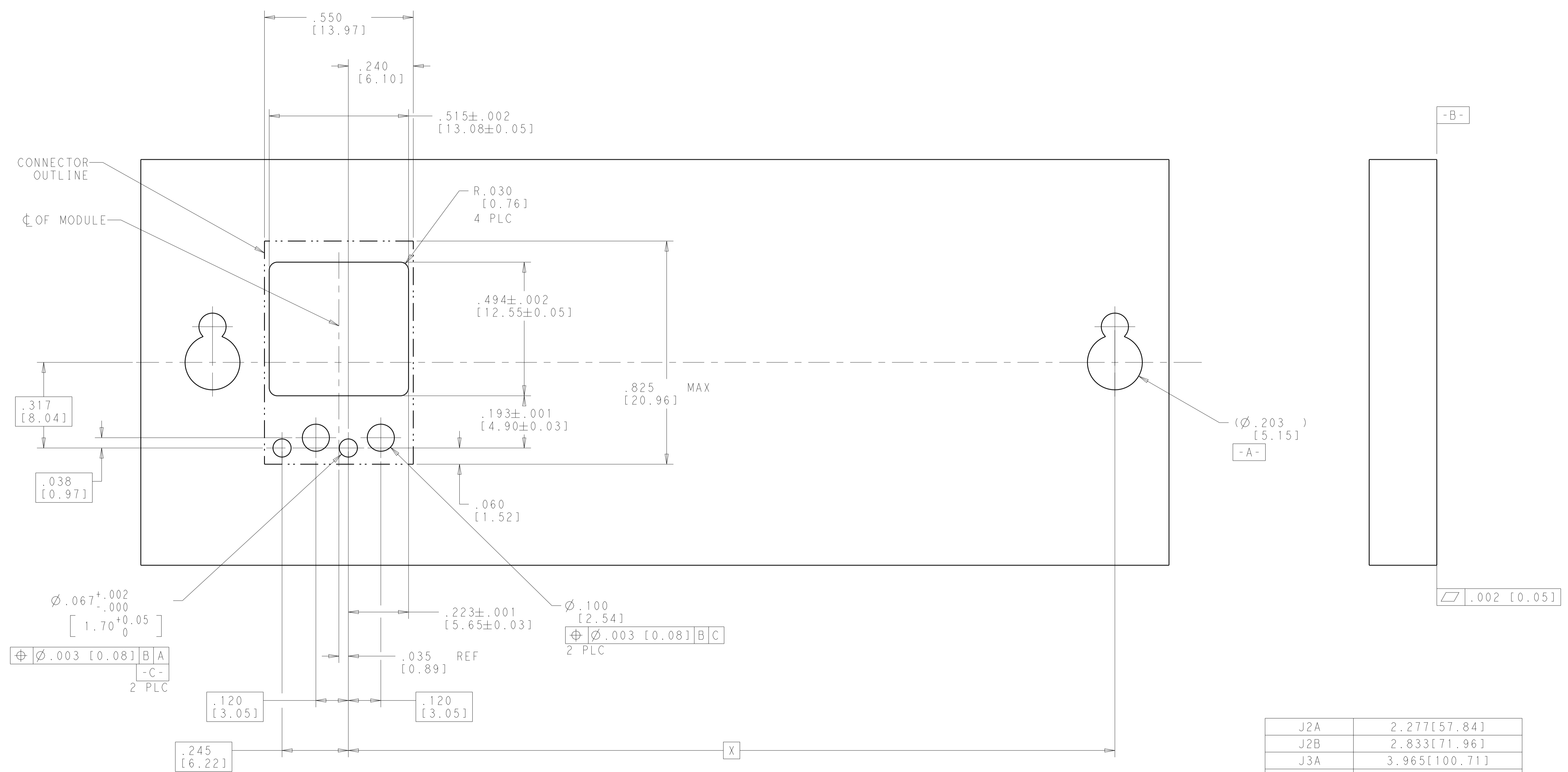


- 1 MATERIAL:
MODULE BODIES - SEE TABLE
GUIDE PIN - STAINLESS STEEL, PER UNS S30300
SCREWS - 300 SERIES STAINLESS STEEL
- 2 FINISH:
MODULE BODIES - SEE TABLE
SCREWS AND GUIDE PIN - PASSIVATED
- 3. SHIPPED IN KIT FORM.
- 4 CIRCUIT IDENTIFICATION MARKING

CLEAR CHROMATE CONVERSION COATING	ALUMINUM ALLOY 7075	2313228-2
PASSIVATED	STAINLESS STEEL PER UNS S30300	2313228-1
MODULE FINISH 2	MODULE MATERIAL 1	PART NUMBER

THIS DRAWING IS A CONTROLLED DOCUMENT.		DWN. R. MILLER 17JUN2017	TE Connectivity
DIMENSIONS: INCHES/mm		CHK. K. DOWHOWER 19JUN2017	
TOLERANCES UNLESS OTHERWISE SPECIFIED:		APVD. K. DOWHOWER 19JUN2017	NAME: 12 POSITION NanoRF MODULE P.C.B. MOUNT - BACKPLANE VITA
0 PLC ± 1 PLC ± 2 PLC ± 3 PLC ±.005(0.13) 4 PLC ± ANGLES ±		PRODUCT SPEC: 108-163006 APPLICATION SPEC: 408-163016	
MATERIAL 1	FINISH 2	WEIGHT	SIZE: A1 CAGE CODE: 00779 DRAWING NO: C=2313228
CUSTOMER DRAWING		SCALE: 5:1	SHEET 1 OF 2 REV A

REVISIONS				
P.	LTN	DESCRIPTION	DATE	APVD
-	-	SEE SHEET 1	-	-



TYP PCB LAYOUT - VIEWED FROM BACKSIDE OF BACKPLANE

J2A	2.277[57.84]
J2B	2.833[71.96]
J3A	3.965[100.71]
J3B	4.521[114.83]
J4A	5.099[129.51]
J4B	5.655[143.64]
J5A	6.233[158.32]
J5B	6.789[172.44]
J6A	7.367[187.12]
J6B	7.922[201.22]
POSITION	DIM "X"

THIS DRAWING IS A CONTROLLED DOCUMENT.		DWN K. MILLER	17JUN2017	 TE Connectivity
DIMENSIONS: INCHES/mm		CHK K. DOWHOWER	19JUN2017	
TOLERANCES UNLESS OTHERWISE SPECIFIED:		APVD K. DOWHOWER	19JUN2017	NAME 12 POSITION NanoRF MODULE P.C.B. MOUNT - BACKPLANE VITA SIZE CAGE CODE DRAWING NO A100779C=2313228 RESTRICTED TO
0 PLC ± 1 PLC ± 2 PLC ± 3 PLC ±.005[0.13] 4 PLC ± ANGLES ±		PRODUCT SPEC	108-163006	
MATERIAL		APPLICATION SPEC	408-163016	
FINISH		WEIGHT	-	
CUSTOMER DRAWING			SCALE 8:1	SHEET 2 OF 2
			REV A	

X-ON Electronics

Largest Supplier of Electrical and Electronic Components

Click to view similar products for [RF Connector Accessories](#) category:

Click to view products by [TE Connectivity](#) manufacturer:

Other Similar products are found below :

[89674-0712](#) [F702RX24](#) [FERRULE-174](#) [R141802000](#) [R141805000](#) [R141842000](#) [R161862000](#) [R161862000W](#) [R280752000](#) [R280907000](#)
[R694261906](#) [RFI21-13](#) [RFI75-13-D2](#) [RFI75-4-D2](#) [AX102906](#) [AX102907](#) [18097-0013](#) [HP-375](#) [HP-500](#) [2098-0294-00](#) [2098-3251-94](#) [KA-](#)
[81-05](#) [89674-0805](#) [F1](#) [FERRULE-223](#) [202102-11](#) [213337-1](#) [220222-2](#) [24092671A](#) [24092678A](#) [R280468000](#) [R280510000](#) [R282862060](#)
[RFI155-1](#) [RFI25-12-D3](#) [RFI25-5](#) [RFI25-5-D3](#) [RFI75-12-D2](#) [RFI75-2-D2](#) [RFI75-4-D3](#) [RFI77-6](#) [360HS001M2508M6](#) [4-1532137-4](#) [5-21085-](#)
[0](#) [105274-1000](#) [111062-0490](#) [112122-SOD-LUG](#) [112-NUT-KNURL](#) [IPP-2014](#) [R280490020](#)