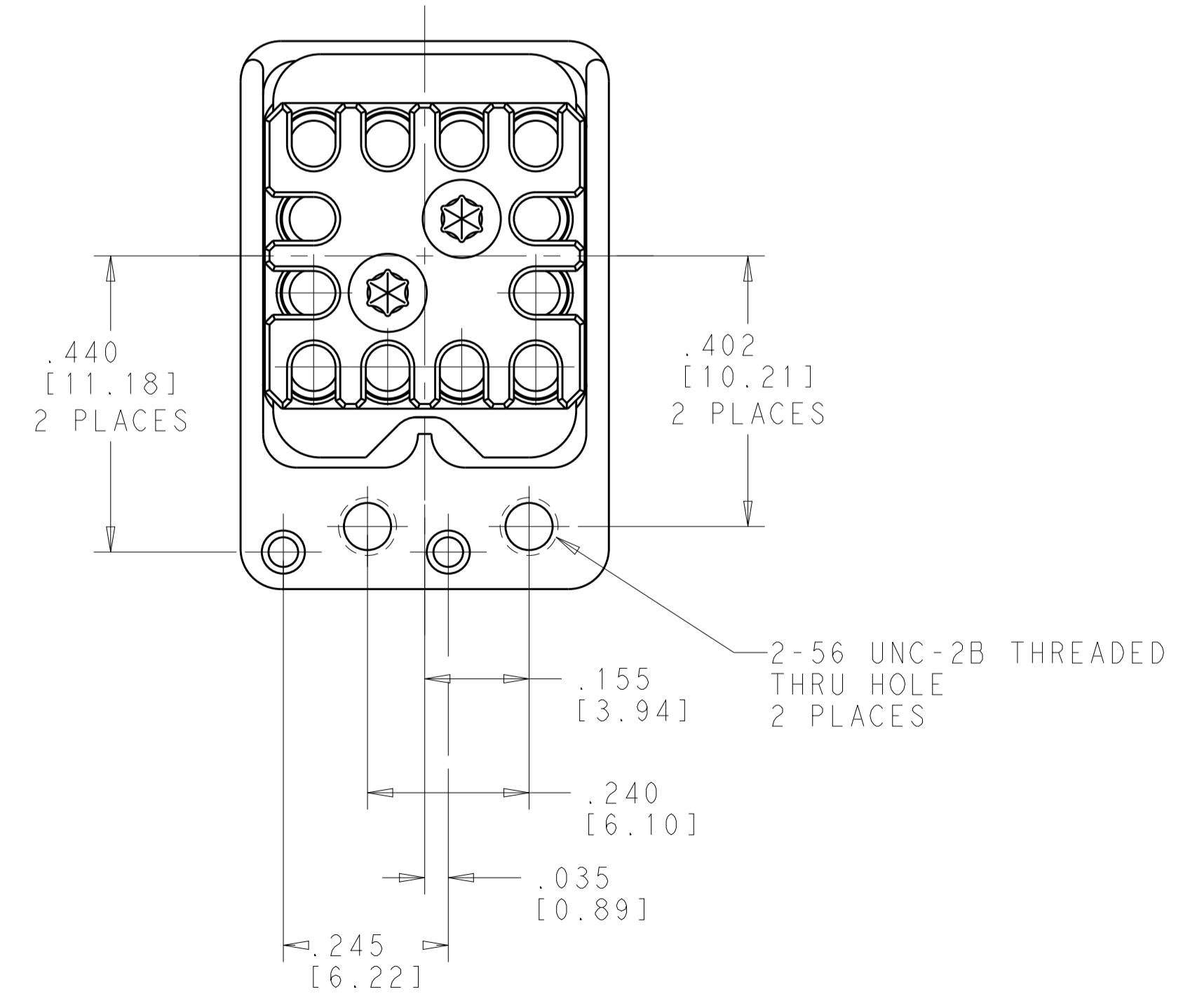
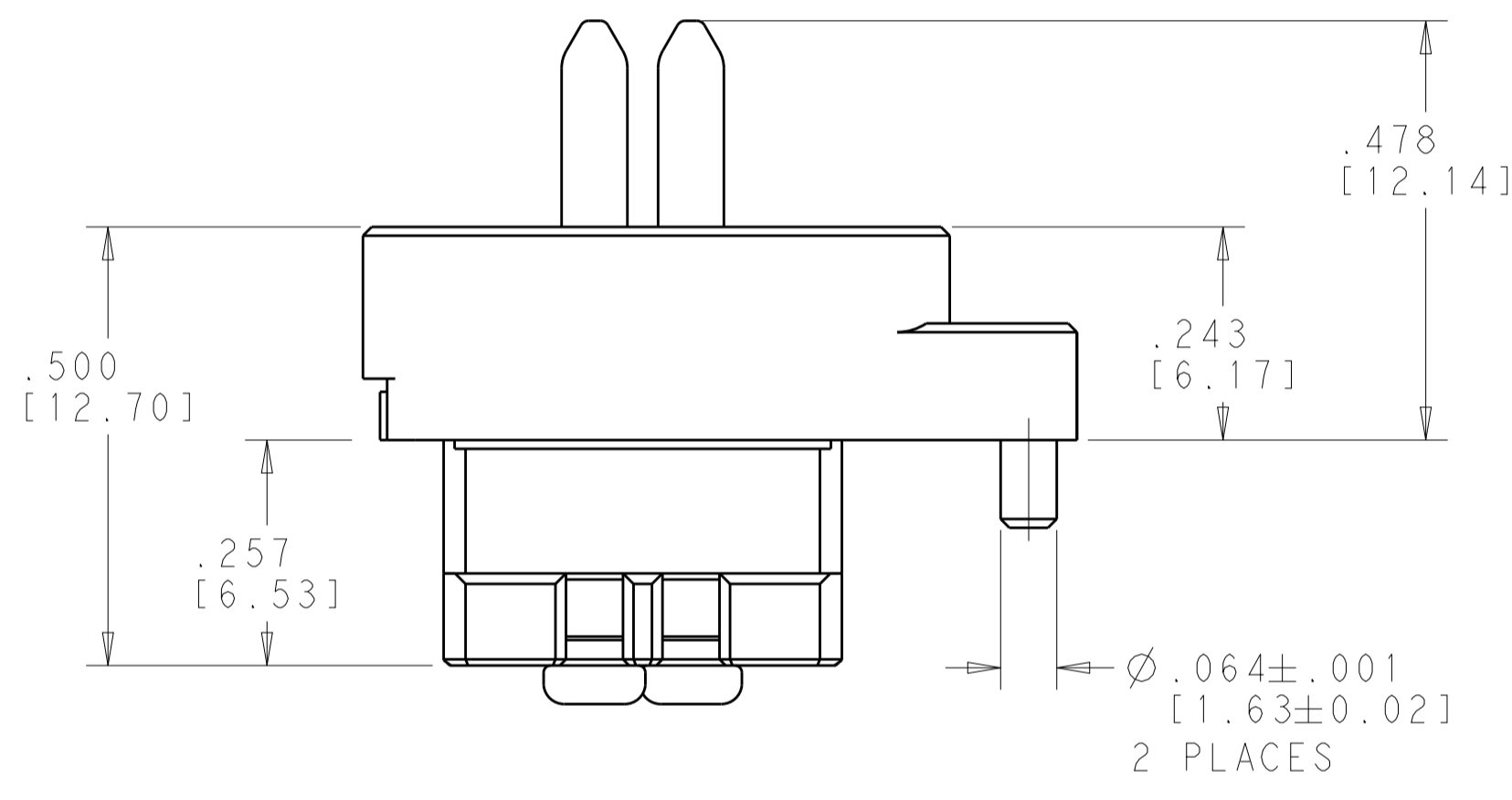
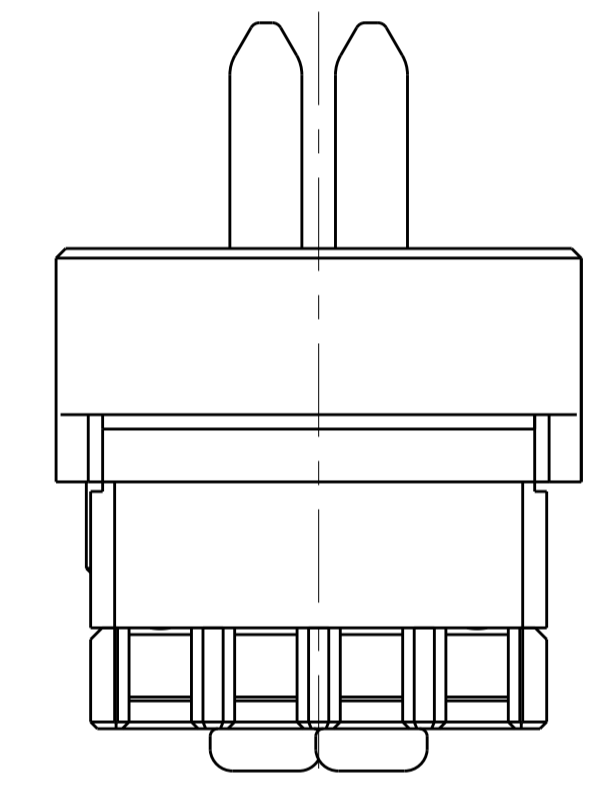
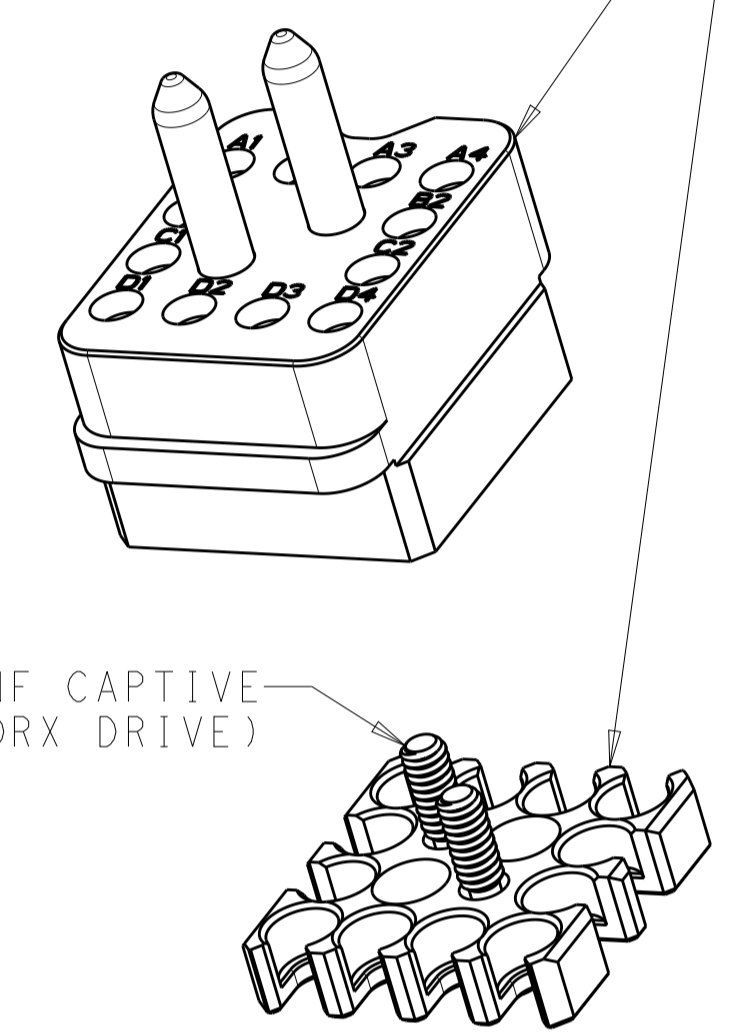
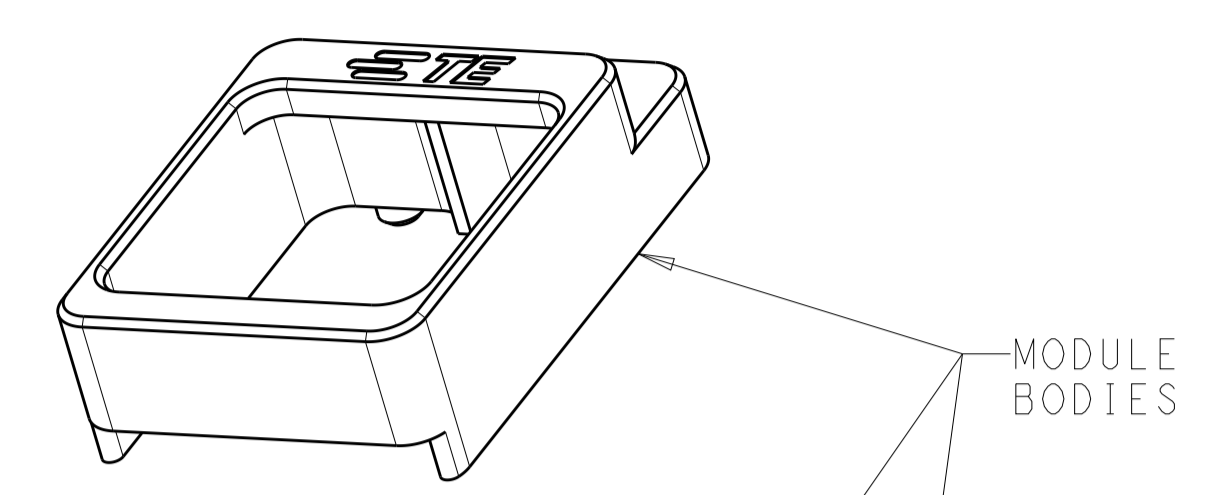
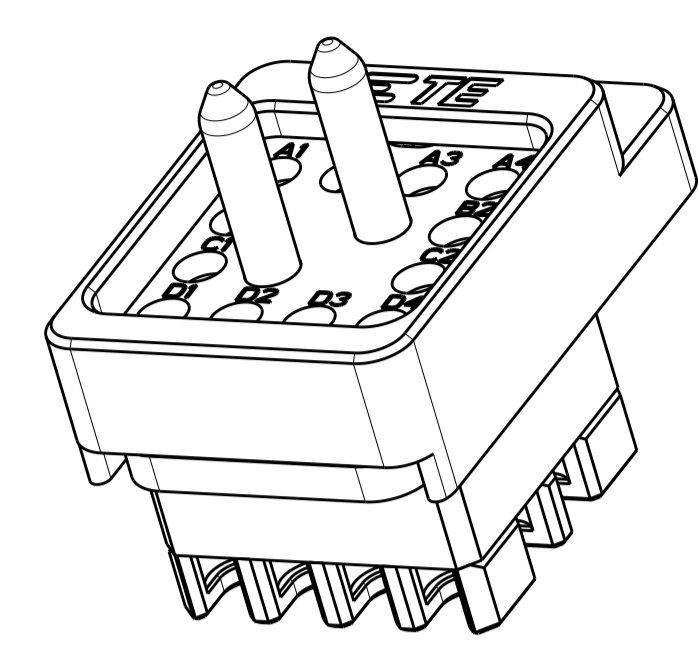
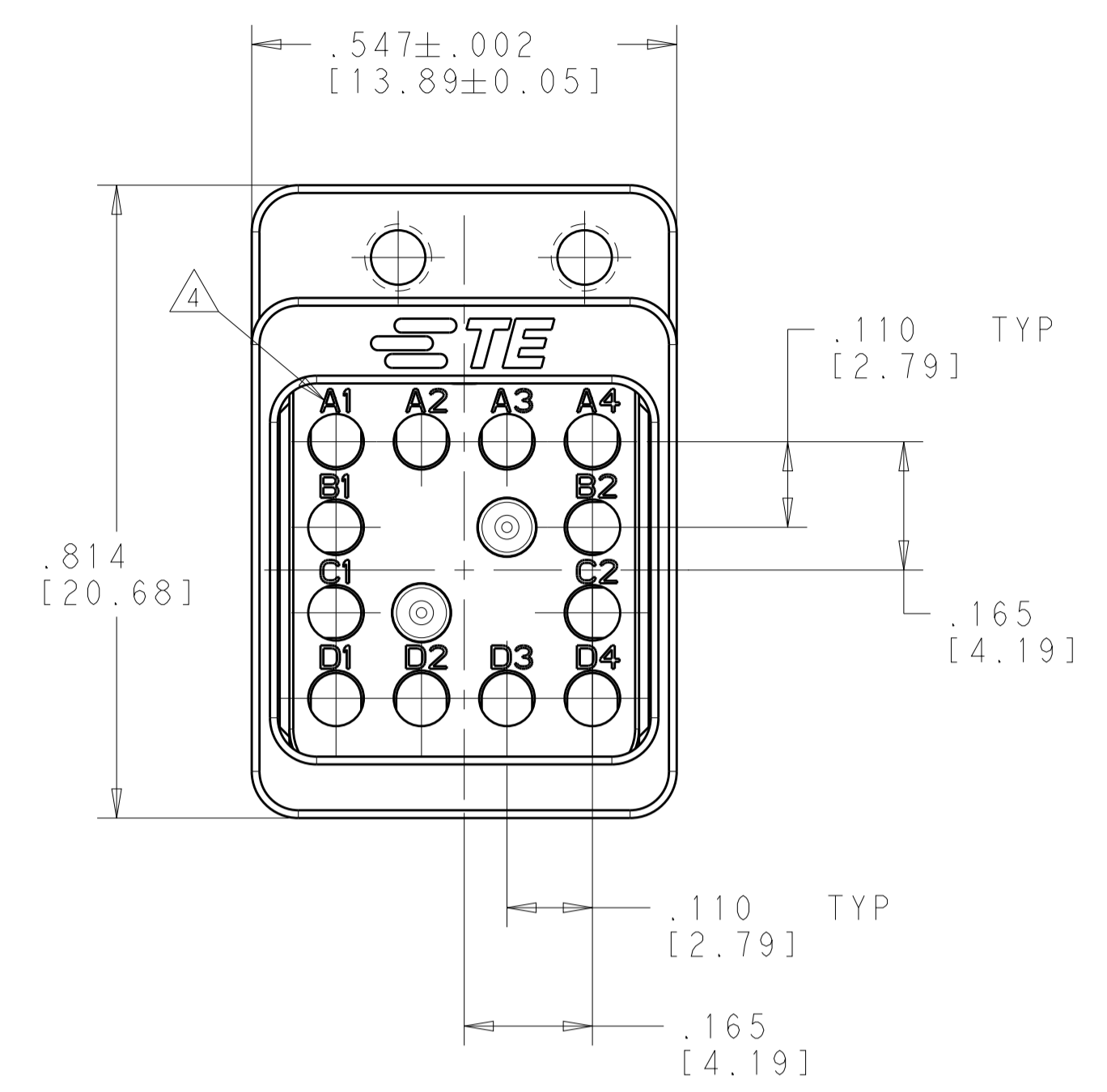


REVISIONS				
P.	LTN.	DESCRIPTION	DATE	OWN APVD
A		RELEASED PER ECO 18-016587	10-23-18	CT FB

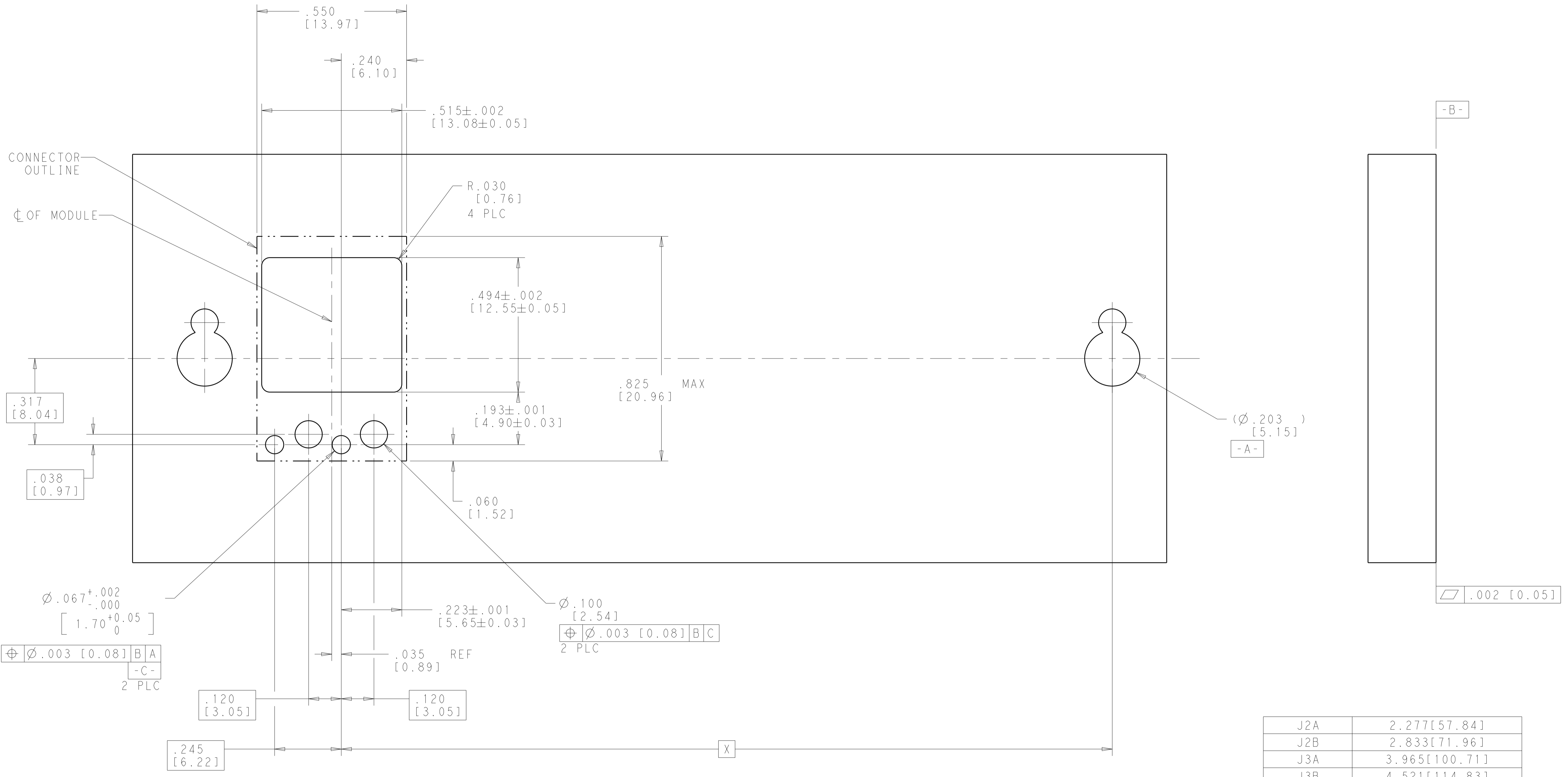


- 1 MATERIAL:  
MODULE BODIES - SEE TABLE  
GUIDE PIN - STAINLESS STEEL, PER UNS S30300  
SCREWS - 300 SERIES STAINLESS STEEL
- 2 FINISH:  
MODULE BODIES - SEE TABLE  
SCREWS AND GUIDE PIN - PASSIVATED
- 3. SHIPPED IN KIT FORM.
- 4 CIRCUIT IDENTIFICATION MARKING

CLEAR CHROMATE CONVERSION COATING	ALUMINUM ALLOY 7075	2313228-2
PASSIVATED	STAINLESS STEEL PER UNS S30300	2313228-1
MODULE FINISH 2	MODULE MATERIAL 1	PART NUMBER

THIS DRAWING IS A CONTROLLED DOCUMENT.		OWN R. MILLER 17JUN2017	TE Connectivity	
DIMENSIONS: INCHES/mm		CHK K. DOWHOWER 19JUN2017	NAME 12 POSITION NanoRF MODULE P.C.B. MOUNT - BACKPLANE VITA	
TOLERANCES UNLESS OTHERWISE SPECIFIED:		APVD K. DOWHOWER 19JUN2017	PRODUCT SPEC	
0 PLC ±		108-163006	APPLICATION SPEC	
1 PLC ±		408-163016	SIZE CAGE CODE DRAWING NO	
2 PLC ±.005(0.13)		RESTRICTED TO	A100779C=2313228	
3 PLC ±		CUSTOMER DRAWING	SCALE 5:1 SHEET 1 OF 2 REV A	
4 PLC ±				
ANGLES				
FINISH				

REVISIONS				
P.	LTM	DESCRIPTION	DATE	APVD
-	-	SEE SHEET 1	-	-



TYP PCB LAYOUT - VIEWED FROM BACKSIDE OF BACKPLANE

J2A	2.277[57.84]
J2B	2.833[71.96]
J3A	3.965[100.71]
J3B	4.521[114.83]
J4A	5.099[129.51]
J4B	5.655[143.64]
J5A	6.233[158.32]
J5B	6.789[172.44]
J6A	7.367[187.12]
J6B	7.922[201.22]
POSITION	DIM "X"

THIS DRAWING IS A CONTROLLED DOCUMENT.

DWN: K. MILLER 17JUN2017  
 CHK: K. DOWHOWER 19JUN2017  
 APVD: K. DOWHOWER 19JUN2017

**STE** TE Connectivity

NAME: 12 POSITION NanoRF MODULE  
 P.C.B. MOUNT - BACKPLANE  
 VITA

DIMENSIONS: INCHES/mm  
 TOLERANCES UNLESS OTHERWISE SPECIFIED:  
 0 PLC ±  
 1 PLC ±  
 2 PLC ±  
 3 PLC ±.005[0.13]  
 4 PLC ±  
 ANGLES ±

PRODUCT SPEC: 108-163006  
 APPLICATION SPEC: 408-163016

MATERIAL: FINISH: WEIGHT: CUSTOMER DRAWING

SIZE: A1  
 CAGE CODE: 408-163016  
 DRAWING NO: 00779  
 REV: C=2313228

RESTRICTED TO: SCALE 8:1 SHEET 2 OF 2 REV A

## X-ON Electronics

Largest Supplier of Electrical and Electronic Components

*Click to view similar products for [RF Connector Accessories](#) category:*

*Click to view products by [TE Connectivity](#) manufacturer:*

Other Similar products are found below :

[89674-0712](#) [F702RX24](#) [FERRULE-174](#) [R141802000](#) [R141805000](#) [R141842000](#) [R161862000](#) [R161862000W](#) [R280752000](#) [R280907000](#)  
[R694261906](#) [RFI21-13](#) [RFI75-13-D2](#) [RFI75-4-D2](#) [AX102906](#) [AX102907](#) [18097-0013](#) [HP-375](#) [HP-500](#) [2098-0294-00](#) [2098-3251-94](#) [KA-](#)  
[81-05](#) [89674-0805](#) [F1](#) [FERRULE-223](#) [202102-11](#) [213337-1](#) [220222-2](#) [24092671A](#) [24092678A](#) [R280468000](#) [R280510000](#) [R282862060](#)  
[RFI155-1](#) [RFI25-12-D3](#) [RFI25-5](#) [RFI25-5-D3](#) [RFI75-12-D2](#) [RFI75-2-D2](#) [RFI75-4-D3](#) [RFI77-6](#) [360HS001M2508M6](#) [4-1532137-4](#) [5-21085-](#)  
[0](#) [105274-1000](#) [111062-0490](#) [112122-SOD-LUG](#) [112-NUT-KNURL](#) [IPP-2014](#) [R280490020](#)