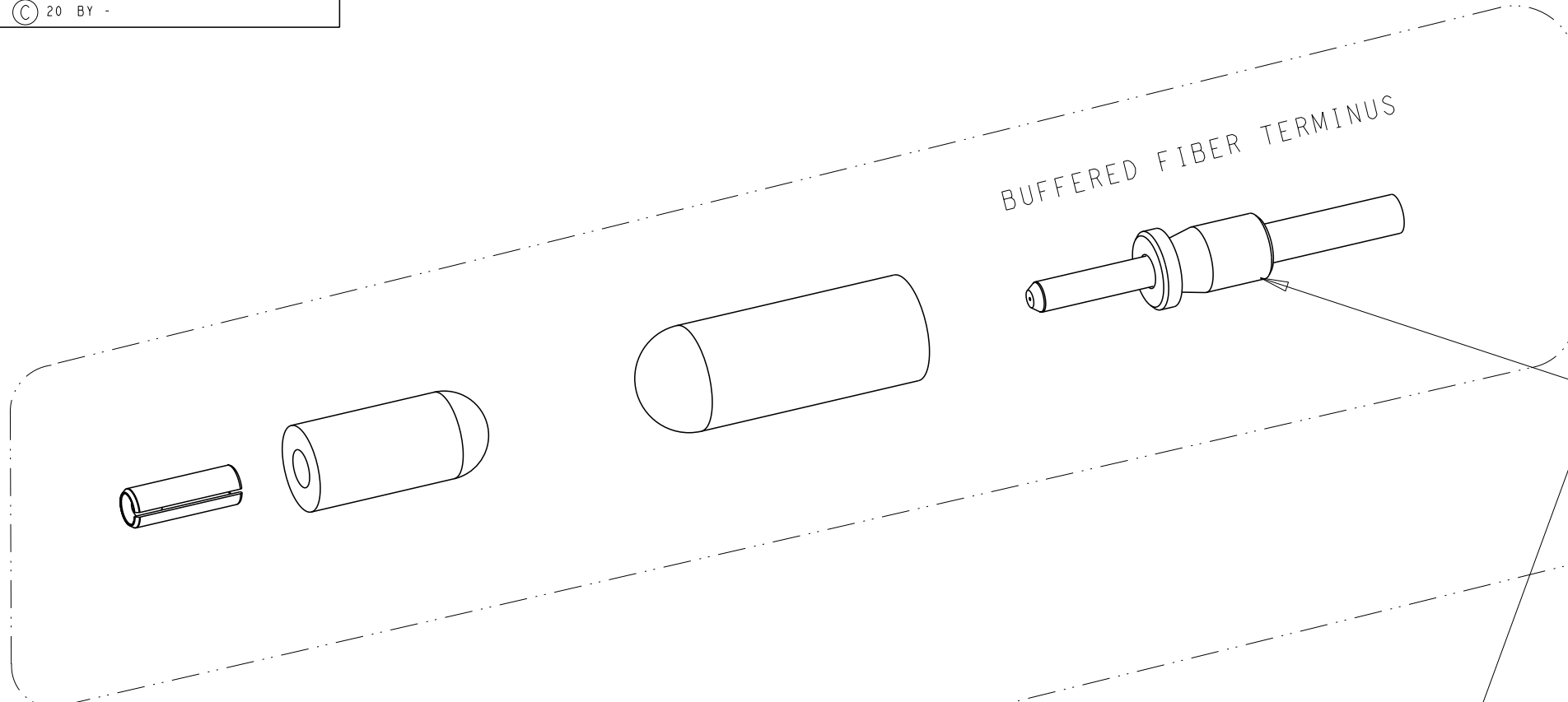


© 20 BY -

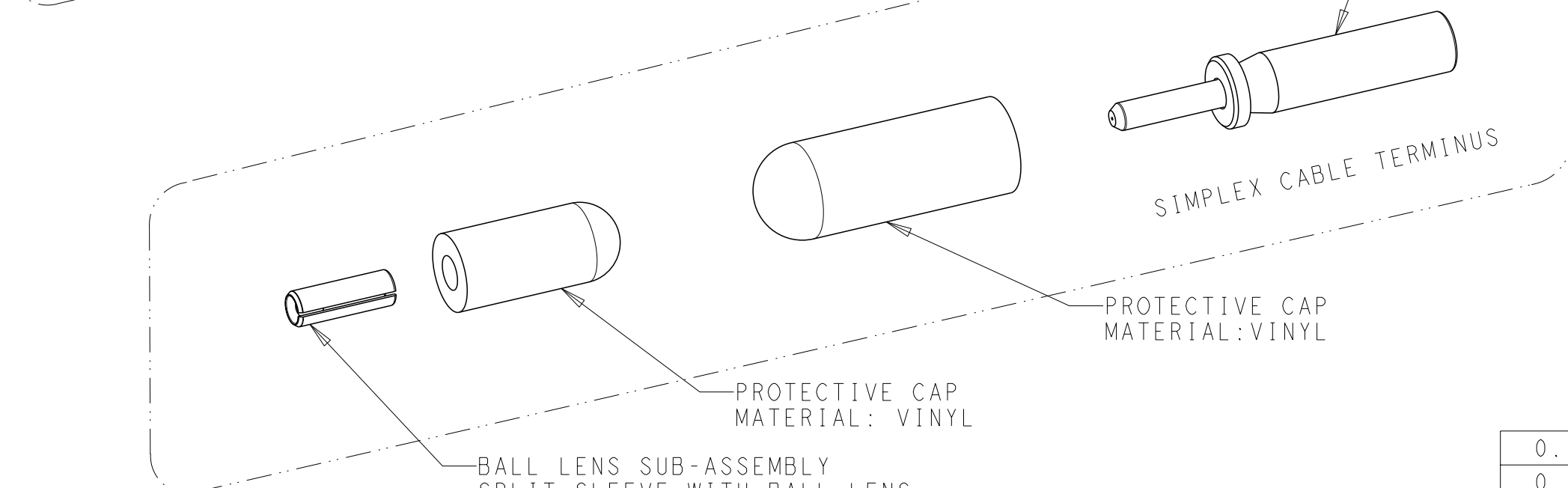
REVISIONS

P	LTR	DESCRIPTION	DATE	DWN	APVD
	A	RELEASED	19NOV2019	DF	SM
	A1	REVISED PER ECO-20-014881	22OCT2020	LN	DW



BUFFERED FIBER TERMINUS

PIN TERMINUS SUB-ASSEMBLY  
 FERRULE WITH BASE  
 BASE MATERIAL: BRASS  
 BASE FINISH: NICKEL  
 PIN FERRULE MATERIAL: CERAMIC



SIMPLEX CABLE TERMINUS

PROTECTIVE CAP  
MATERIAL: VINYL

PROTECTIVE CAP  
MATERIAL: VINYL

BALL LENS SUB-ASSEMBLY  
 SPLIT SLEEVE WITH BALL LENS  
 SPLIT SLEEVE MATERIAL: CERAMIC  
 BALL LENS MATERIAL: FLINT GLASS WITH ANTI-REFLECTION COATING

0.9 BUFFERED FIBER	126.0	2313255-4
0.9 BUFFERED FIBER	125.5	2313255-3
1.6-2.1 SIMPLEX CABLE	126.0	2313255-2
1.6-2.1 SIMPLEX CABLE	125.5	2313255-1
CABLE SIZE (mm)	FERRULE HOLE SIZE (µm)	PART NUMBER

THIS DRAWING IS A CONTROLLED DOCUMENT.		DWN D. FABIAN	27AUG2018		
DIMENSIONS: mm		CHK -	APVD -		
		TOLERANCES UNLESS OTHERWISE SPECIFIED:		PRODUCT SPEC -	RESTRICTED TO -
MATERIAL -		FINISH -		APPLICATION SPEC -	SIZE A3
				WEIGHT -	CAGE CODE 00779
				CUSTOMER DRAWING	DRAWING NO 2313255
				SCALE 5:1	SHEET 1 OF 1
					REV A1

## X-ON Electronics

Largest Supplier of Electrical and Electronic Components

*Click to view similar products for [Fibre Optic Connectors](#) category:*

*Click to view products by [TE Connectivity](#) manufacturer:*

Other Similar products are found below :

[0004700001](#) [6100-R](#) [6313](#) [F709034706](#) [F709722200](#) [F709730000](#) [F718183204](#) [F727403500](#) [F727752800](#) [8119](#) [9440F20-27S-190](#) [944-120-6001](#) [9441F10SL-3S](#) [9444W28-21S](#) [9444W36-10S](#) [9446F10SL-4S](#) [9446W20-16S](#) [953-101-5310-P](#) [954-101-57202B](#) [A0270169](#) [12-9122](#) [12-5702](#) [AX101713](#) [AX102420](#) [AX103923](#) [AX104024](#) [AX104193](#) [AX104230](#) [AX104562](#) [AX105203-B25](#) [AX105205-S1](#) [EHSC2M](#) [181-011-126](#) [181-011-S](#) [181-057-126](#) [HRFC-R2\(40\)](#) [NKSOPBUY](#) [20500002116](#) [2064996-1](#) [20800001065](#) [2170](#) [9132](#) [2612](#) [2620](#) [9291](#) [9440F16-10S](#) [9440F20-18S](#) [9446F16-10S-190](#) [953-106-50231](#) [953-120-5003](#)