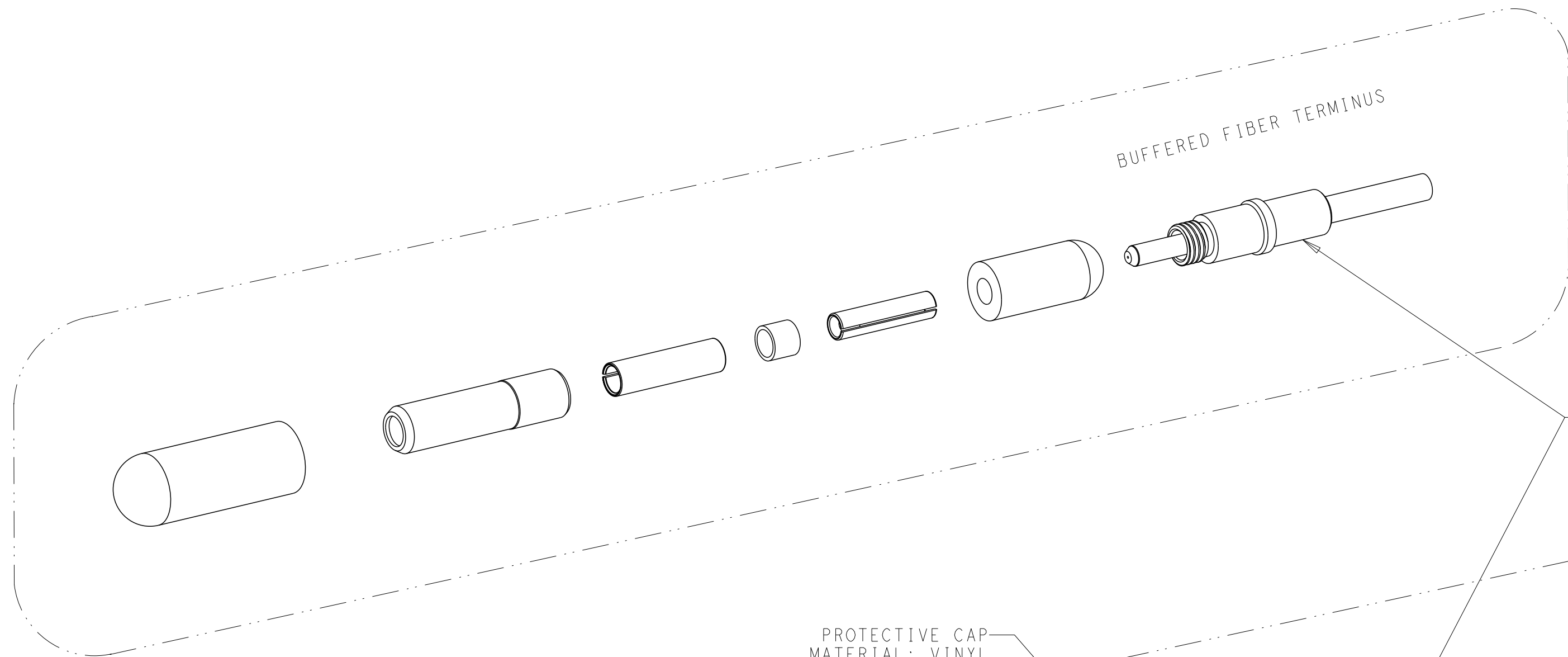
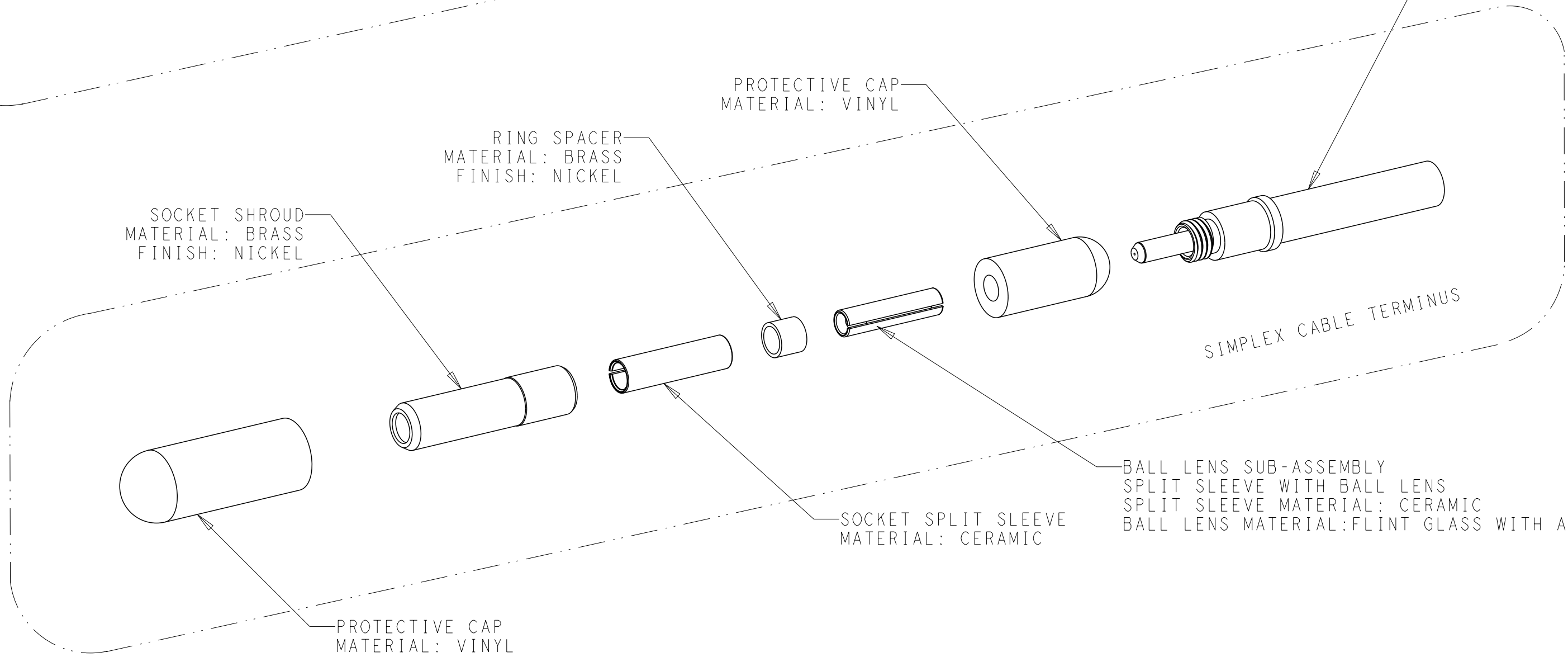


THIS DRAWING IS UNPUBLISHED. RELEASED FOR PUBLICATION 20
 © COPYRIGHT 20 BY - ALL RIGHTS RESERVED.

REVISIONS					
P	LTR	DESCRIPTION	DATE	DWN	APVD
A		RELEASED	19NOV2019	DF	SM
A1		REVISED PER ECO-20-014881	22OCT2020	LN	DW



SOCKET TERMINUS SUB-ASSEMBLY
 FERRULE WITH BASE
 BASE MATERIAL: BRASS
 BASE FINISH: NICKEL
 SOCKET FERRULE MATERIAL: CERAMIC



BALL LENS SUB-ASSEMBLY
 SPLIT SLEEVE WITH BALL LENS
 SPLIT SLEEVE MATERIAL: CERAMIC
 BALL LENS MATERIAL: FLINT GLASS WITH ANTI-REFLECTION

0.9 BUFFERED FIBER	126.0	2313256-4
0.9 BUFFERED FIBER	125.5	2313256-3
1.6-2.1 SIMPLEX CABLE	126.0	2313256-2
1.6-2.1 SIMPLEX CABLE	125.5	2313256-1
CABLE SIZE (mm)	FERRULE HOLE SIZE (µm)	PART NUMBER

THIS DRAWING IS A CONTROLLED DOCUMENT. DWN: D. FABIAN 27AUG2018

DIMENSIONS: mm	TOLERANCES UNLESS OTHERWISE SPECIFIED:	CHK: -	APVD: -	PRODUCT SPEC: -	APPLICATION SPEC: -	WEIGHT: -	CUSTOMER DRAWING	SCALE: 4:1	SHEET: 1 OF 1	REV: A1
0 PLC ±	1 PLC ±	2 PLC ±0.13	3 PLC ±0.013	4 PLC ±	ANGLES ±1	FINISH				

STE TE Connectivity

NAME: KIT, SOCKET TERMINUS SIZE 16, EB, SM

SIZE: A2 CAGE CODE: 00779 DRAWING NO: C-2313256 RESTRICTED TO: -

X-ON Electronics

Largest Supplier of Electrical and Electronic Components

Click to view similar products for [Fibre Optic Connectors](#) category:

Click to view products by [TE Connectivity](#) manufacturer:

Other Similar products are found below :

[0004700001](#) [6100-R](#) [6313](#) [F709034706](#) [F709730000](#) [F718183204](#) [F727403500](#) [F727752800](#) [8119](#) [944-120-6001](#) [953-101-5310-P](#) [954-101-57202B](#) [A0270169](#) [12-9122](#) [12-5702](#) [AX101713](#) [AX102420](#) [AX103923](#) [AX104024](#) [AX104193](#) [AX104230](#) [AX104498](#) [AX104562](#) [AX105203-B25](#) [AX105205-S1](#) [EHSC2M](#) [181-011-126](#) [181-011-S](#) [181-057-126](#) [HRFC-R2\(40\)](#) [NKSOPBUY](#) [20500002116](#) [2064996-1](#) [20800001065](#) [2170](#) [9132](#) [2612](#) [2620](#) [9291](#) [9440F16-10S](#) [9440F20-18S](#) [9446F16-10S-190](#) [953-106-50231](#) [953-120-5003](#) [955-120-5110](#) [1757711-1](#) [180-122NFS7-11-4N](#) [181-001-127](#) [181-011-K](#) [181-039-1260C](#)