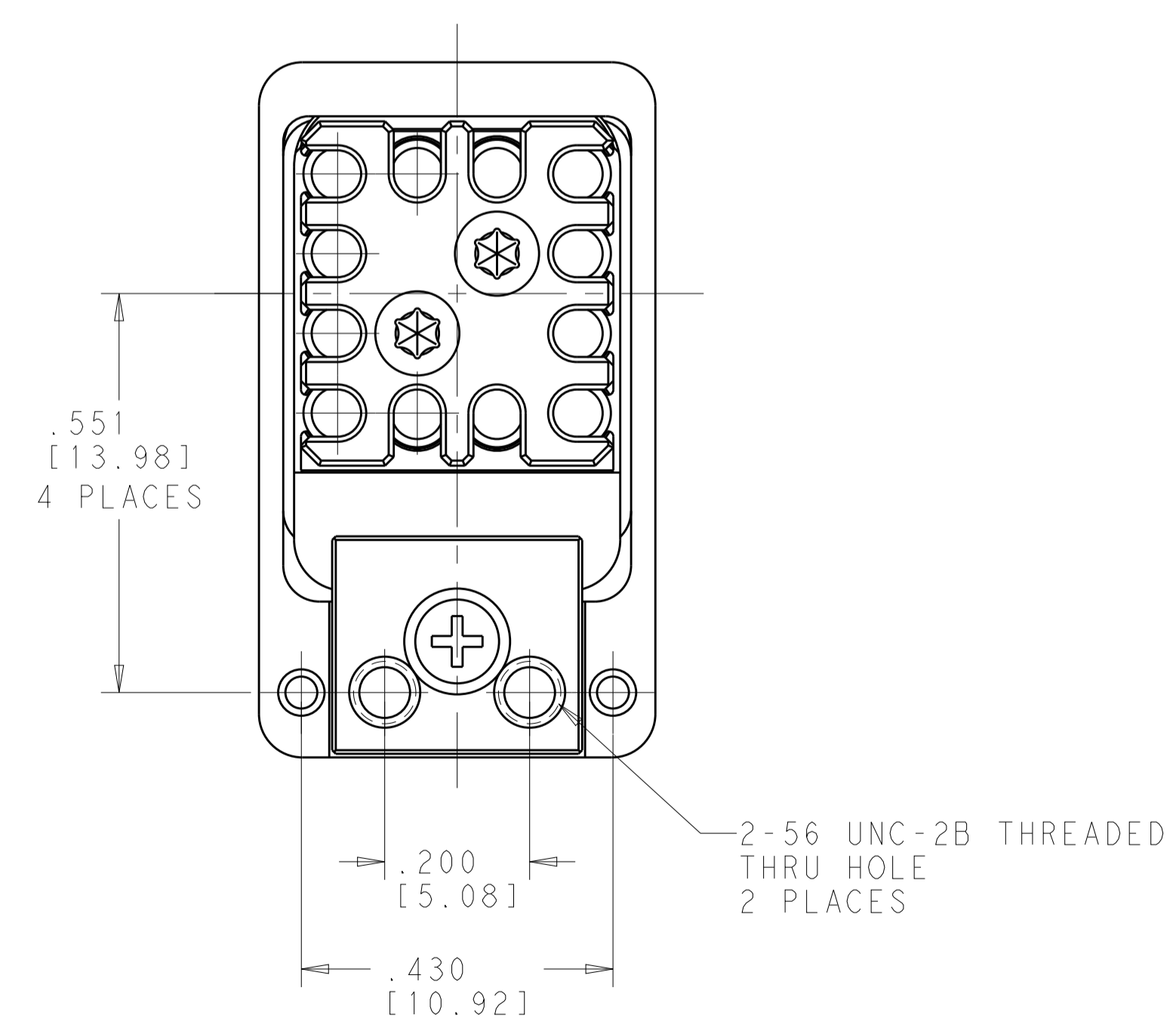
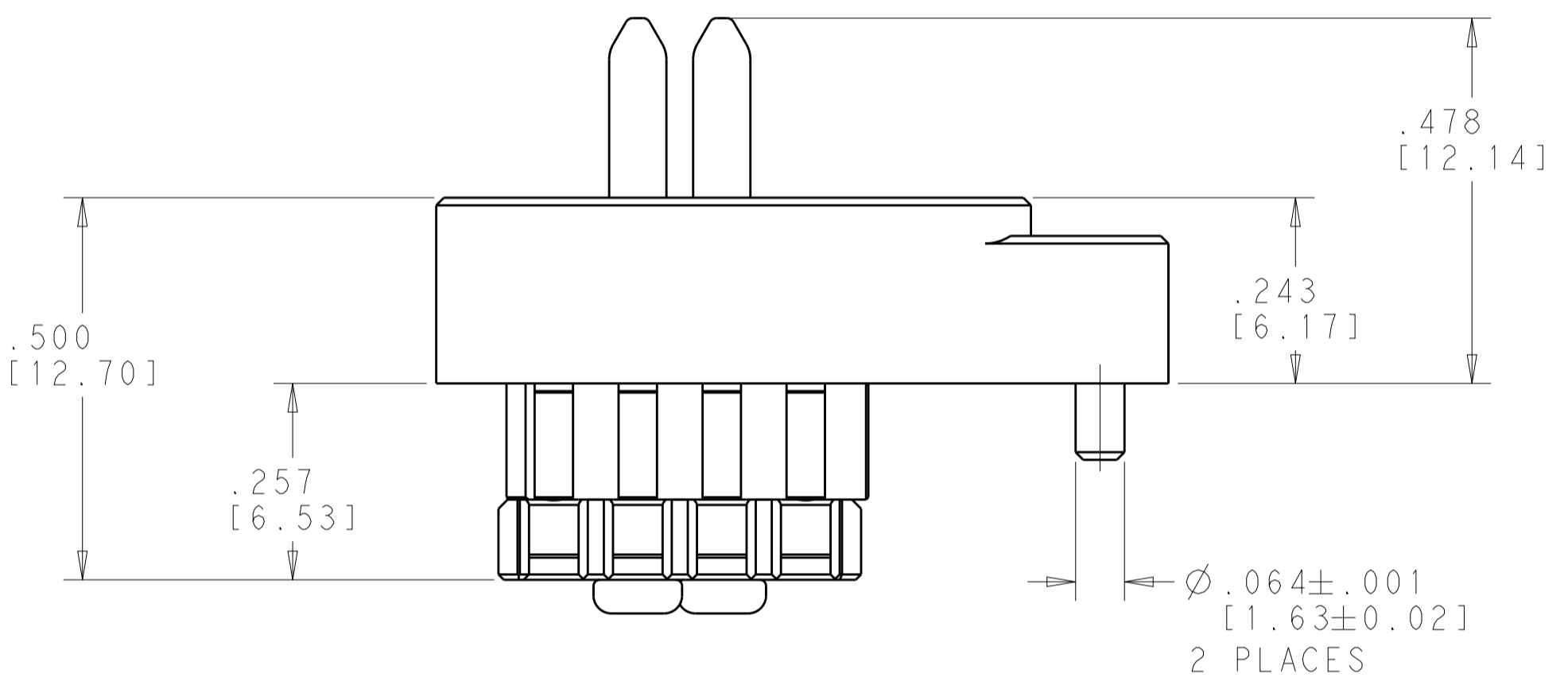
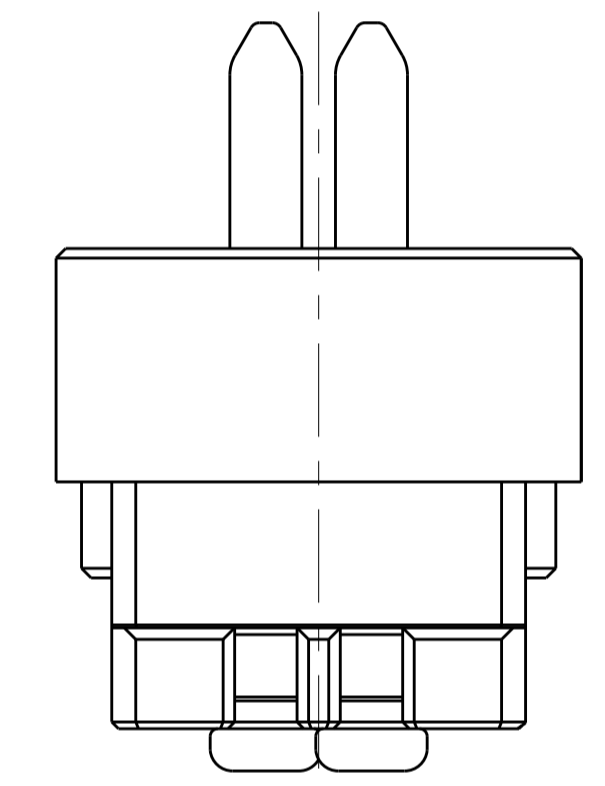
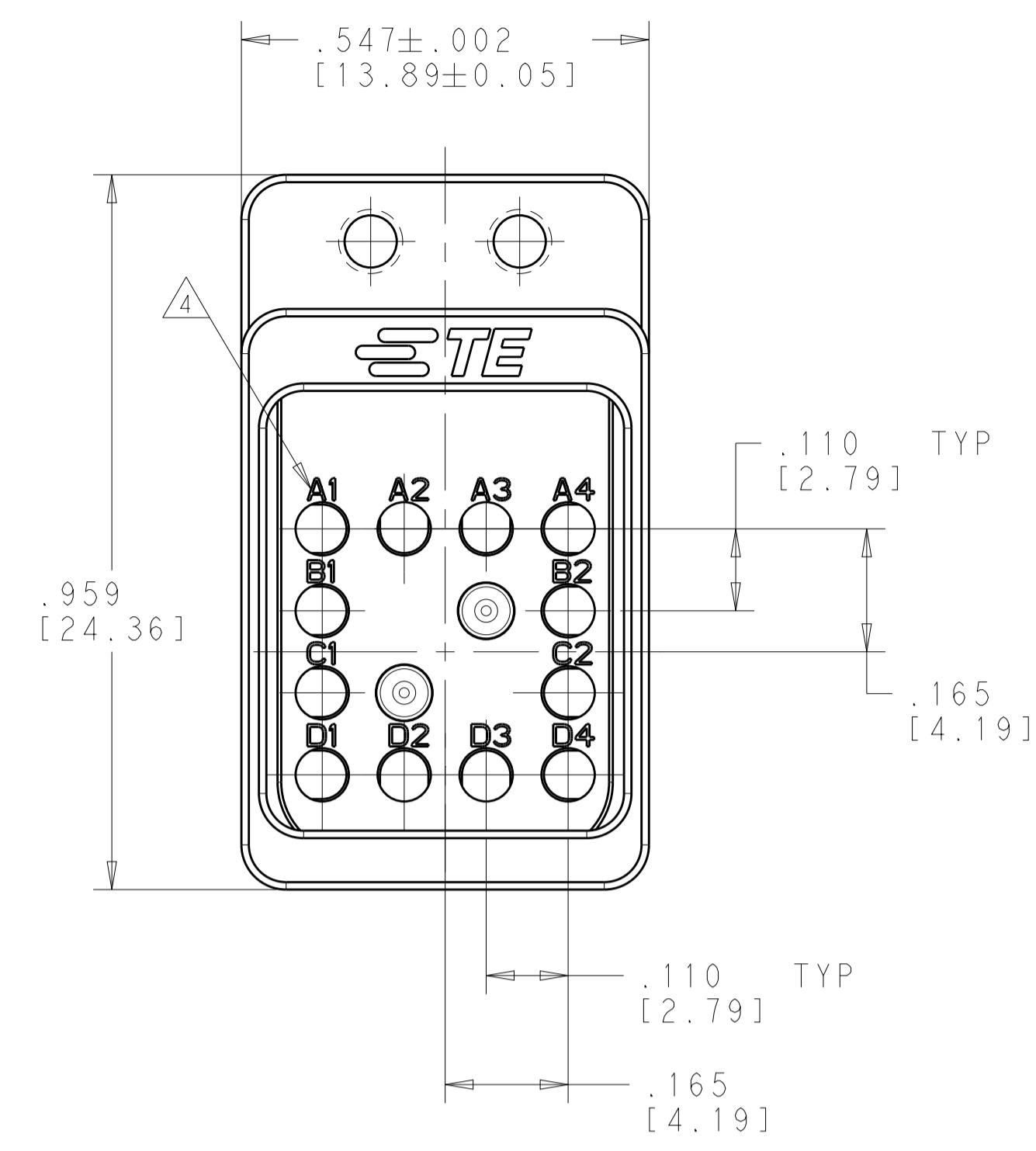
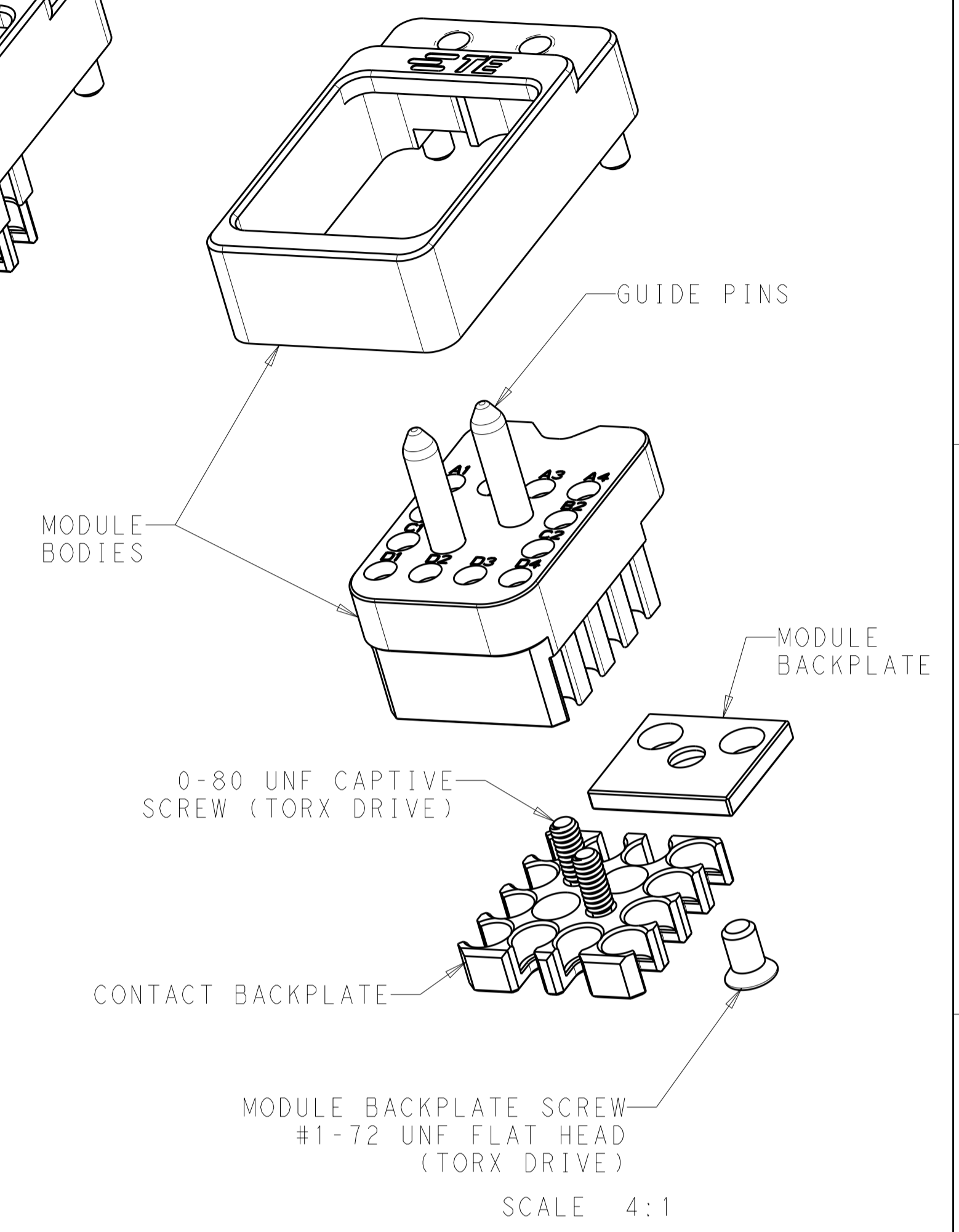
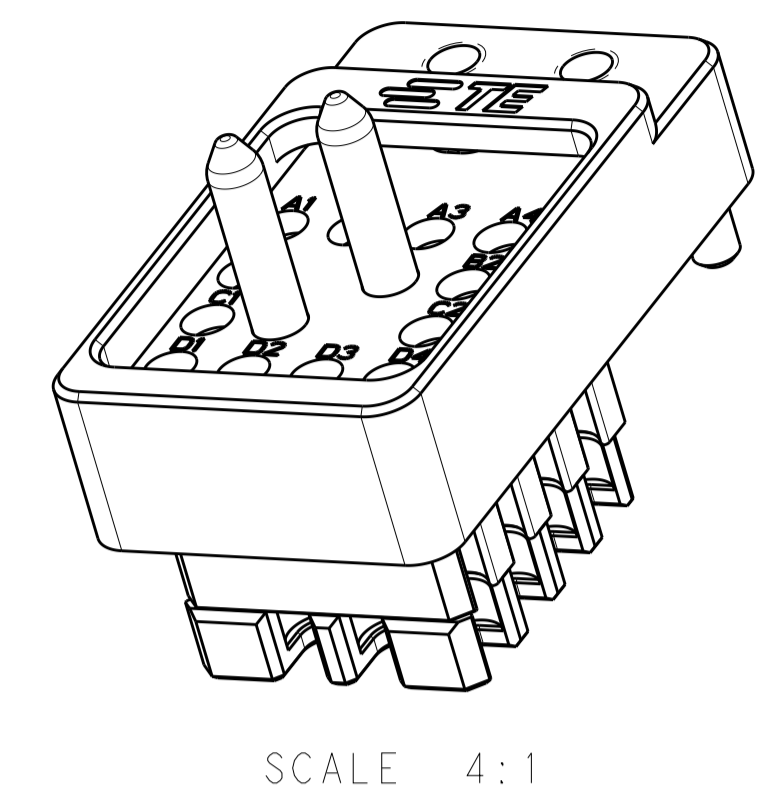


REVISIONS				
P.	LTN.	DESCRIPTION	DATE	DWN. / APVD.
A		RELEASED PER ECO 18-016587	10-23-18	CT / FB



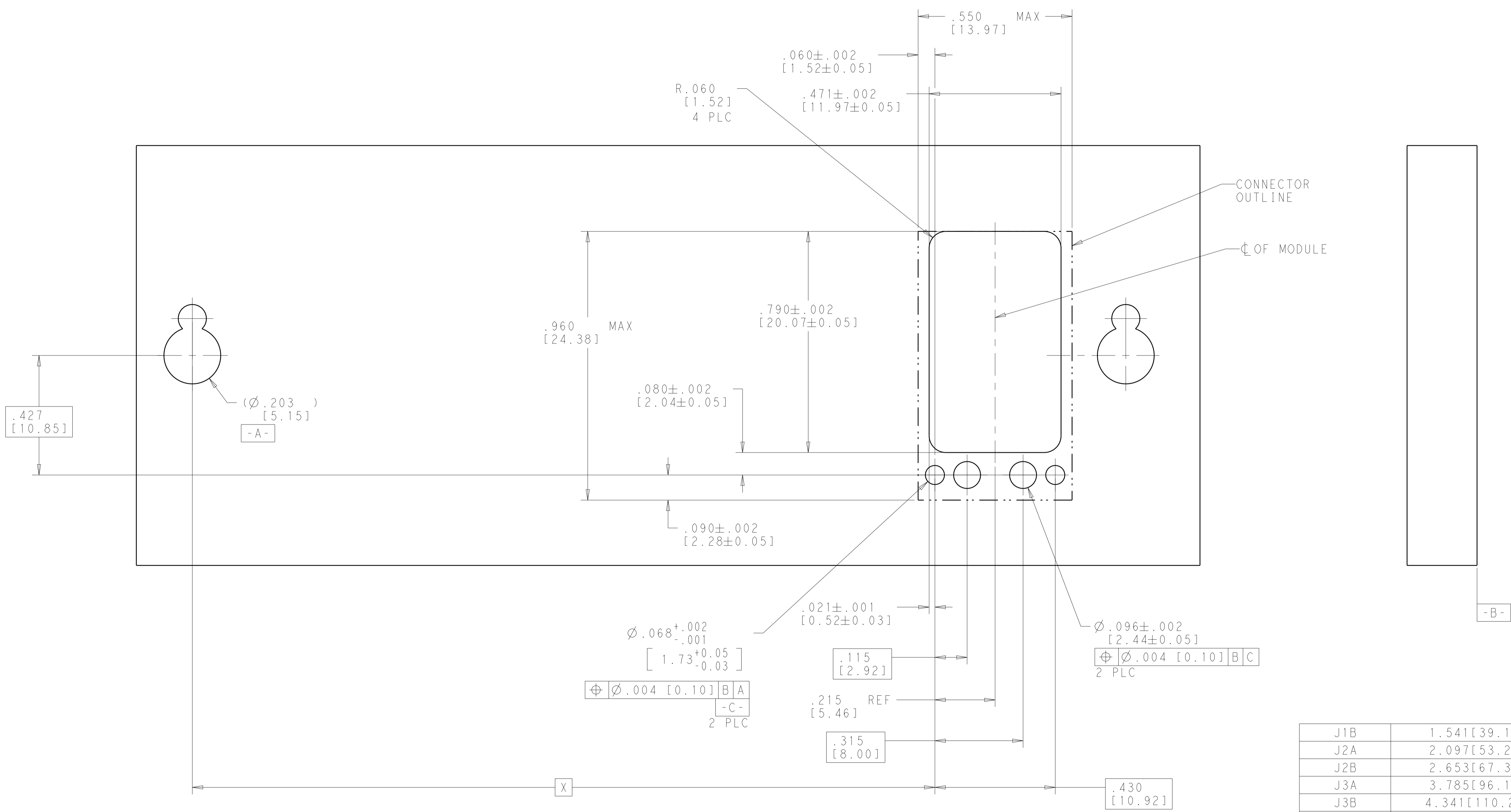
- 1 MATERIAL:  
 MODULE BODIES AND BACKPLATES - SEE TABLE  
 GUIDE PIN - STAINLESS STEEL, PER UNS S30300  
 SCREWS - 300 SERIES STAINLESS STEEL
- 2 FINISH:  
 MODULE BODIES - SEE TABLE  
 SCREWS AND GUIDE PIN - PASSIVATED
- 3. SHIPPED IN KIT FORM. CONTACT BACKPLATE SCREWS TO BE ASSEMBLED TO CONTACT BACKPLATE. MODULE BODIES TO BE ASSEMBLED TOGETHER WITH MODULE BACKPLATE AND MODULE BACKPLATE SCREW.
- 4 CIRCUIT IDENTIFICATION MARKING
- 5. DESIGNED TO BE USED WITH CONTACTS 2302345-1



CLEAR CHROMATE CONVERSION COATING	ALUMINUM ALLOY 7075	2313376-2
PASSIVATED	STAINLESS STEEL PER UNS S30300	2313376-1
MODULE FINISH 2	MODULE MATERIAL 1	PART NUMBER

THIS DRAWING IS A CONTROLLED DOCUMENT.		DWN. K. MILLER 02JAN2018	TE Connectivity
DIMENSIONS: INCHES/mm		CHK. K. DOWHOWER 02JAN2018	
TOLERANCES UNLESS OTHERWISE SPECIFIED:		APVD. K. DOWHOWER 02JAN2018	NAME: 12 POSITION NanoRF MODULE P.C.B. MOUNT - BACKPLANE VITA 67.3 FOOTPRINT COMPATIBLE
0 PLC ±.010		PRODUCT SPEC 108-163006	
1 PLC ±.005(0.13)		APPLICATION SPEC 408-163016	SIZE: CAGE CODE DRAWING NO. RESTRICTED TO A1 00779 ©=2313376
2 PLC ±.005(0.13)		WEIGHT	
3 PLC ±.005(0.13)		RESTRICTED CUSTOMER	SCALE 5:1 SHEET 1 OF 2 REV A

REVISIONS				
P.	LTN	DESCRIPTION	DATE	APVD
-	-	SEE SHEET 1	-	-



REF PCB LAYOUT - SEE VITA 67.3 FIGURE 6.1.5.2-1

J1B	1.541[39.15]
J2A	2.097[53.27]
J2B	2.653[67.39]
J3A	3.785[96.14]
J3B	4.341[110.26]
J4A	4.919[124.94]
J4B	5.475[139.06]
J5A	6.053[153.74]
J5B	6.609[167.86]
J6A	7.187[182.54]
J6B	7.743[196.66]
POSITION	DIM "X"

THIS DRAWING IS A CONTROLLED DOCUMENT.		DWN: M. MILLER 02JAN2018 CHK: K. DOWHOWER 02JAN2018 APVD: K. DOWHOWER 02JAN2018	TE Connectivity
DIMENSIONS: INCHES/mm	TOLERANCES UNLESS OTHERWISE SPECIFIED: 0 PLC ± 1 PLC ± 2 PLC ± 3 PLC ±.005[0.13] 4 PLC ± ANGLES ±	NAME: 12 POSITION NanoRF MODULE PRODUCT SPEC: P.C.B. MOUNT BACKPLANE APPLICATION SPEC: VITA 67.3 FOOTPRINT COMPATIBLE	
MATERIAL:	FINISH:	SIZE: 408-163016 WEIGHT:	SCALE: 8:1 SHEET: 2 OF 2 REV: A
CUSTOMER DRAWING		A100779C=2313376	

## X-ON Electronics

Largest Supplier of Electrical and Electronic Components

*Click to view similar products for [RF Connectors / Coaxial Connectors](#) category:*

*Click to view products by [TE Connectivity](#) manufacturer:*

Other Similar products are found below :

[R125315120](#) [8915-1511-000](#) [89674-0827](#) [5916-1103-603](#) [0106-001-000](#) [6-0001-3](#) [6001-7071-019](#) [6002-7051-003](#) [6002-7551-202](#) [6059674-1](#) [619550-1](#) [630059-000](#) [M39012/25-0021](#) [M39012/79-3008](#) [M39030/3-01N](#) [M39030/3-03N](#) [M3933/25-36N](#) [6500-7071-046](#) [6501-1071-002](#) [M83723/72W2457N](#) [6769](#) [CX050L2AQ](#) [7002-1541-010](#) [7002-1572-002](#) [7003-1572-002](#) [7004-1512-000](#) [7009-1511-004](#) [7010-1511-000](#) [7029-1511-060](#) [7101-1541-010](#) [7101-1571-002](#) [7105-1521-002](#) [7145-1521-002](#) [7209-1511-011](#) [7210-1511-012](#) [7210-1511-015](#) [7210-1511-019](#) [7210-1511-040](#) [7225-1512-050](#) [7242-1511-000](#) [73137-5015](#) [73251-0111](#) [73251-0672](#) [73276-1501](#) [73366-0013](#) [73404-2300](#) [73413-6080](#) [73415-5721](#) [7405-1521-005](#) [7405-1521-802](#)