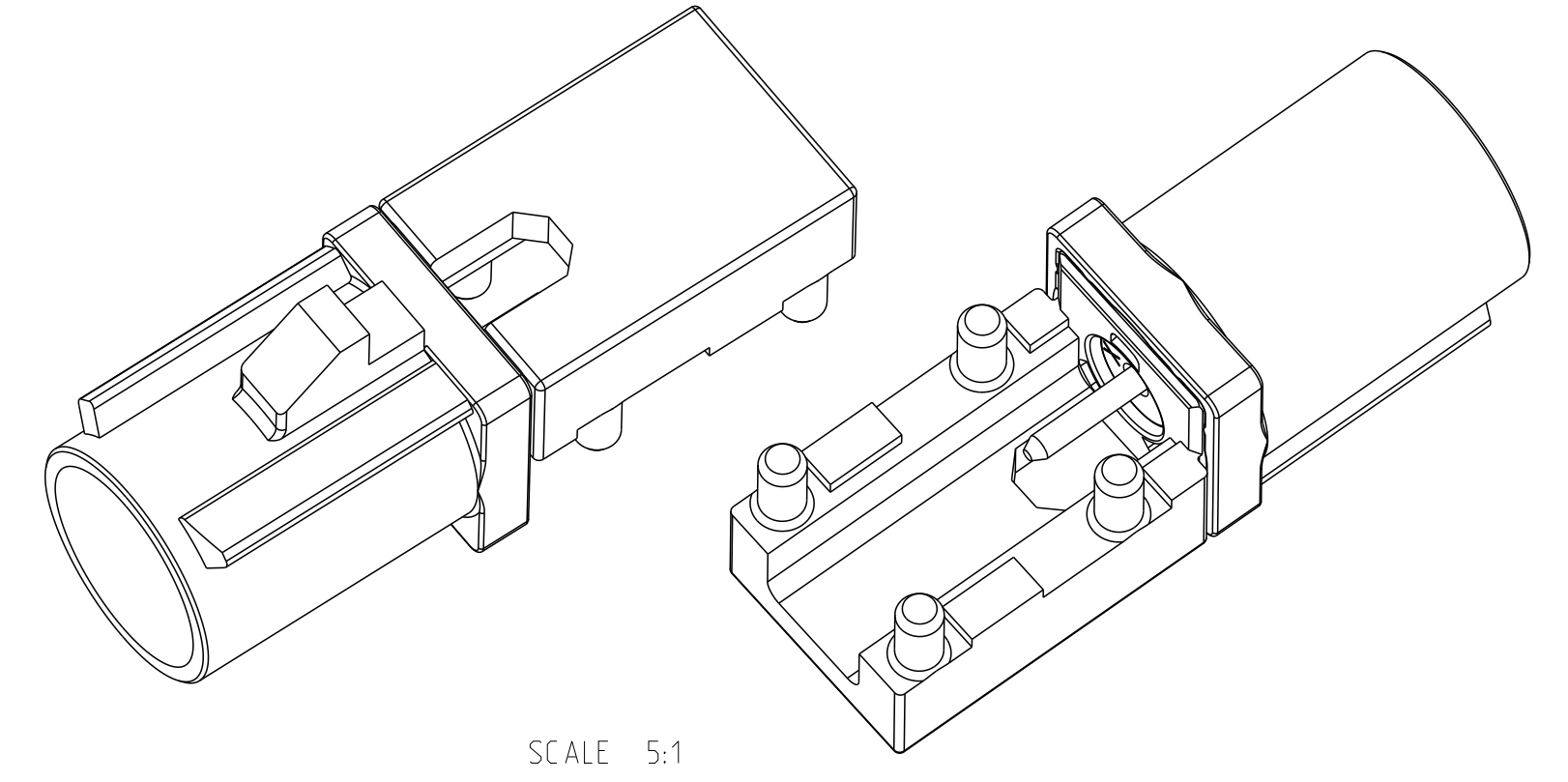
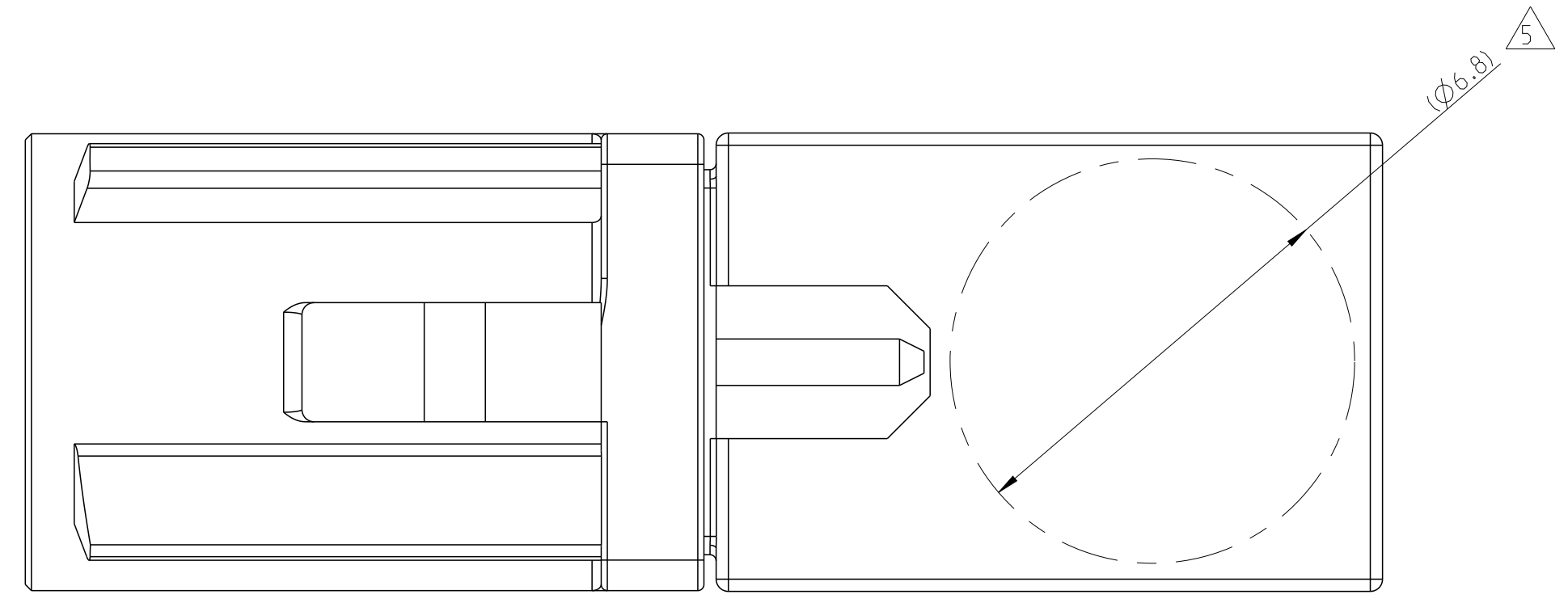
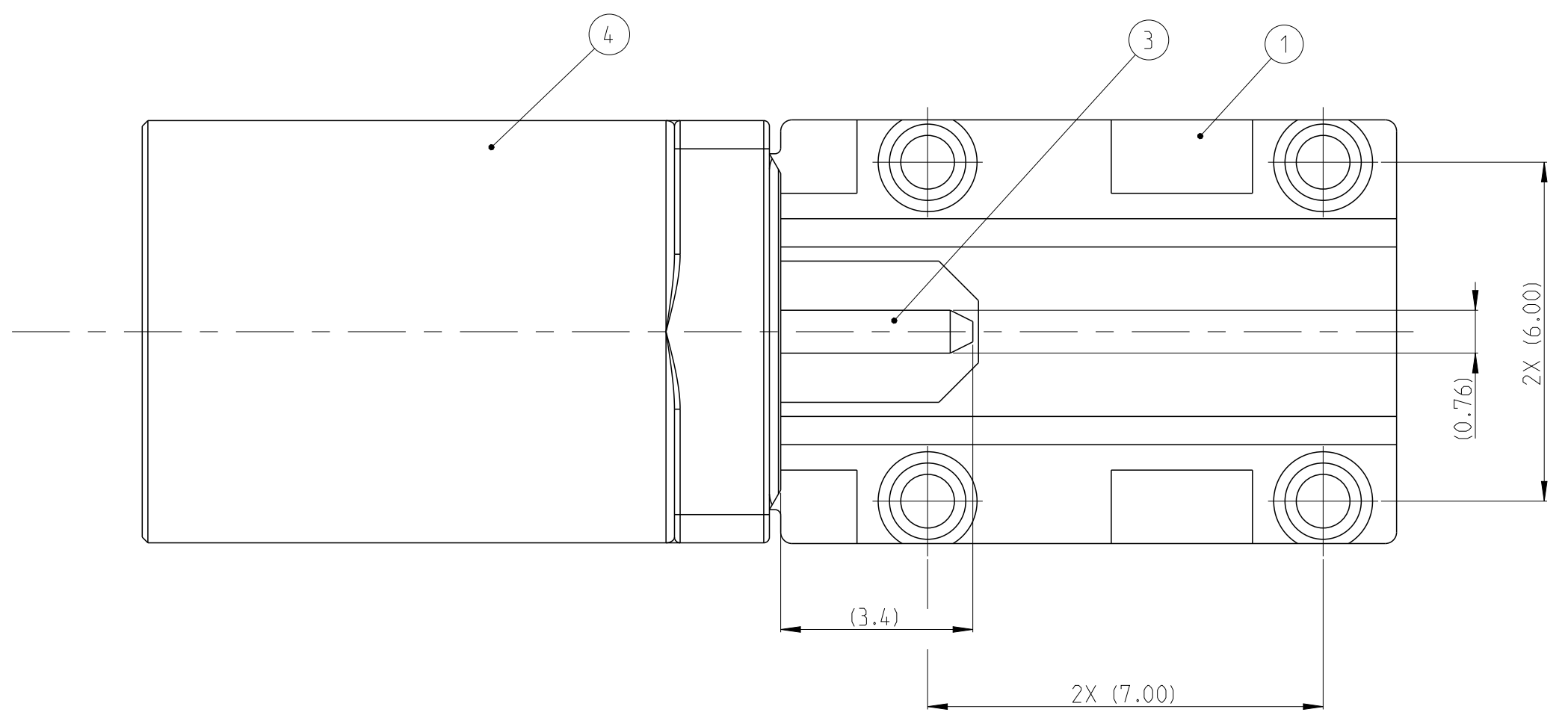
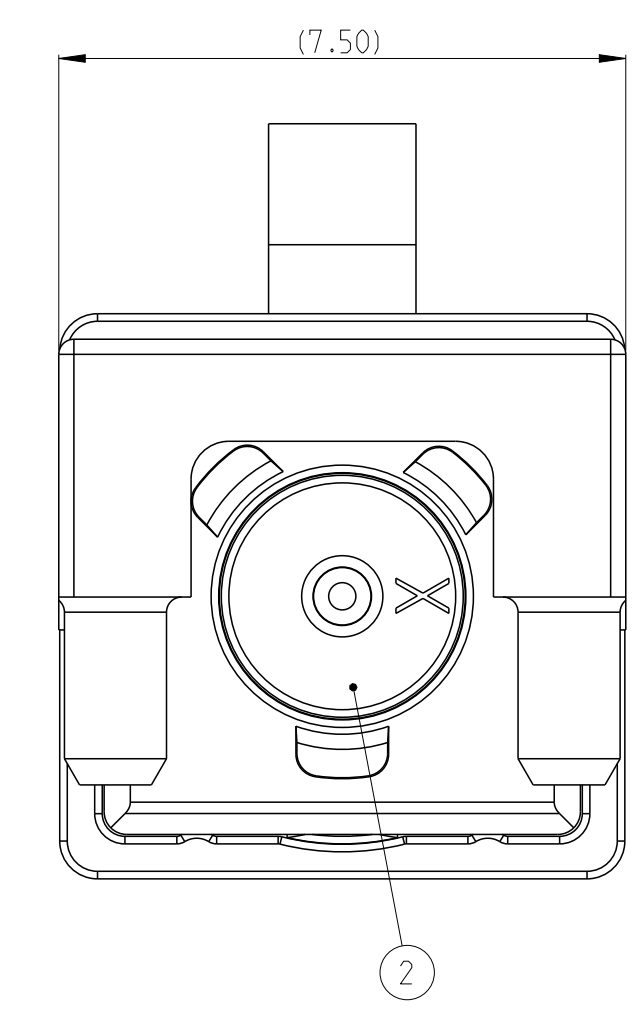
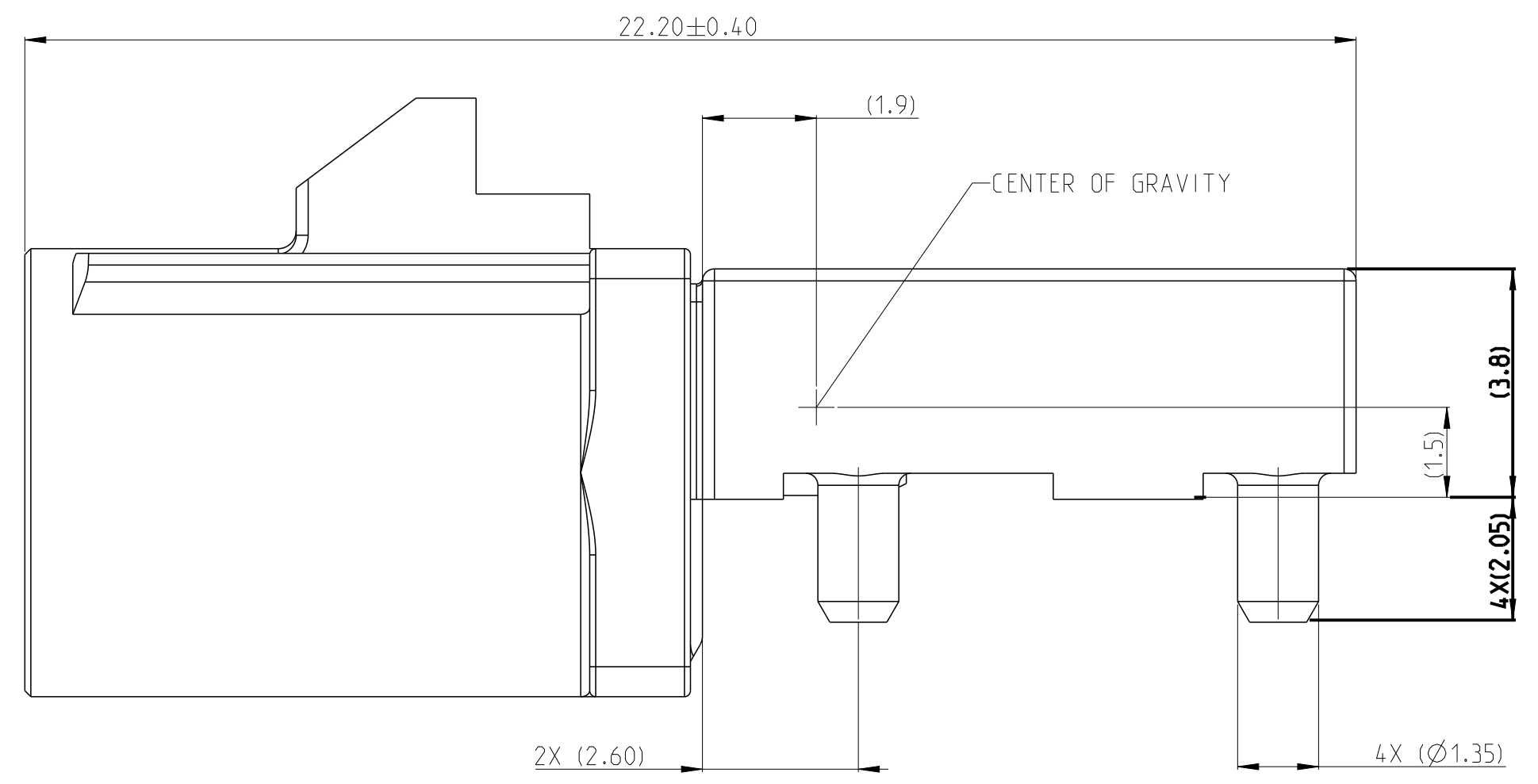
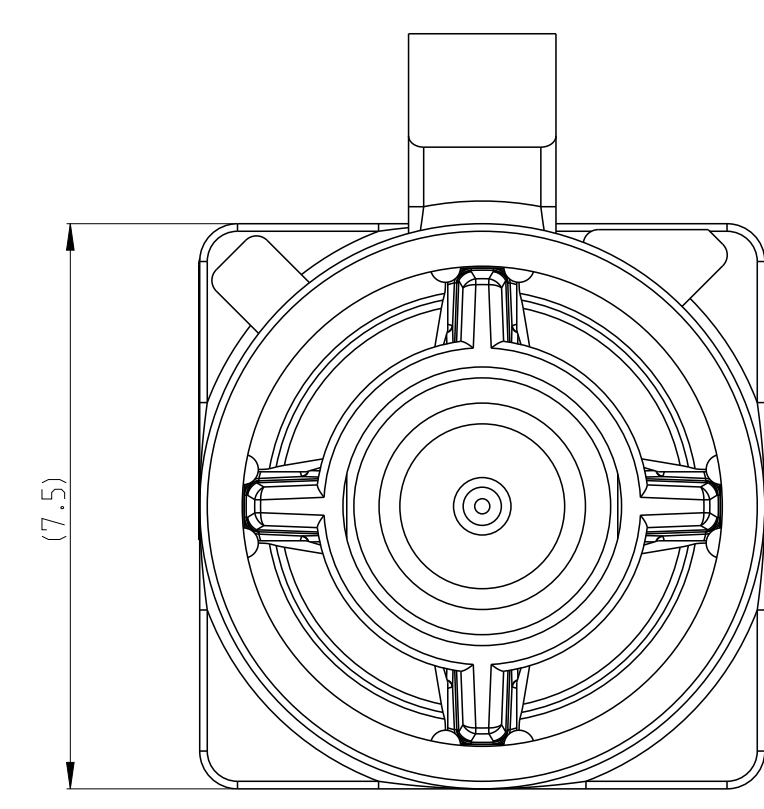


REVISIONS				
P.	LTN	DESCRIPTION	DATE	OWN APVD
A		INITIAL RELEASE	19JUN19	D.Z I.Y



SCALE 5:1



- 1 NOSE CONE - NYLON. COLOR: SEE TABLE.  
DIELECTRIC - POLYESTER PCT. NATURAL.  
PIN CONTACT - BRASS.  
OUTER SHELL - ZINC.
- 2 PIN CONTACT - GOLD PLATED ON INTERFACE END. 2.5µm MIN TIN ON SOLDER END.  
BOTH OVER 1.3µm MIN NICKEL.  
OUTER SHELL - 2.0µm MIN TIN OVER 1.52µm MIN NICKEL. BOTH OVER 2.54µm MIN COPPER.
- 3 MALE INTERFACE PER ISO 20860-1 OR DIN 72594-1
- 4 MASS: 2.2g (ONLY FOR REFERENCE)
- 5 VACUUM PICKUP AREA.
- 6 PACKAGING: TAPE AND REEL

ACTIVE	PER DETAIL Z	WATER BLUE				Z	2-2314170-0
PRELIMINARY	PER DETAIL N	PASTEL GREEN				N	1-2314170-3
PRELIMINARY	PER DETAIL M	PASTEL ORANGE				M	1-2314170-2
PRELIMINARY	PER DETAIL L	CARMINE RED				L	1-2314170-1
ACTIVE	PER DETAIL K	CURRY				K	1-2314170-0
PRELIMINARY	PER DETAIL I	BEIGE				I	2314170-9
PRELIMINARY	PER DETAIL H	HEATHER VIOLET	MATERIAL BRASS	MATERIAL PCT	MATERIAL ZINC ALLOY	H	2314170-8
PRELIMINARY	PER DETAIL G	BLUE GREY				G	2314170-7
PRELIMINARY	PER DETAIL F	NUT BROWN				F	2314170-6
ACTIVE	PER DETAIL E	LEAF GREEN				E	2314170-5
ACTIVE	PER DETAIL D	CLARET VIOLET				D	2314170-4
ACTIVE	PER DETAIL C	SIGNAL BLUE				C	2314170-3
ACTIVE	PER DETAIL B	CREAM				B	2314170-2
ACTIVE	PER DETAIL A	JET BLACK				A	2314170-1
STATUS	CODING DETAIL	NOSE CONE COLOR 4	CENTER PIN QTY=1 3	DIELECTRIC QTY=1 2	DIE CASTING QTY=1 1	CODING REF	PART NUMBER

THIS DRAWING IS A CONTROLLED DOCUMENT. DWN: D.ZHU 19JUN2019  
 CHK: W.WU 01JUL2019  
 APVD: LYJIN 01JUL2019

TE Connectivity

NAME: FAKRA HEADER ASSEMBLY  
 1 POS. EDGE MOUNT

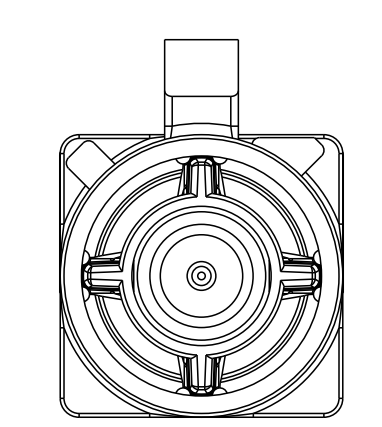
PRODUCT SPEC: 108-32058  
 APPLICATION SPEC: 114-32108

SIZE: A1 CAGE CODE: - DRAWING NO: C=2314170  
 WEIGHT: -

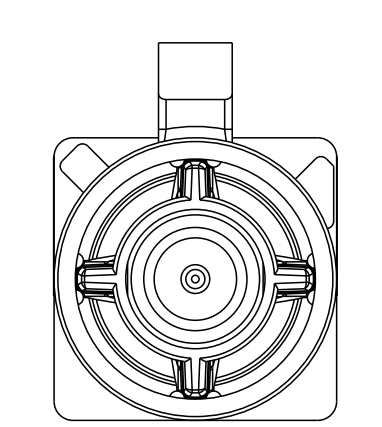
CUSTOMER DRAWING SCALE: 10:1 SHEET: 1 OF 2 REV: A

REVISIONS				
P.	LTN	DESCRIPTION	DATE	APVD
-		SEE SHEET 1	-	-

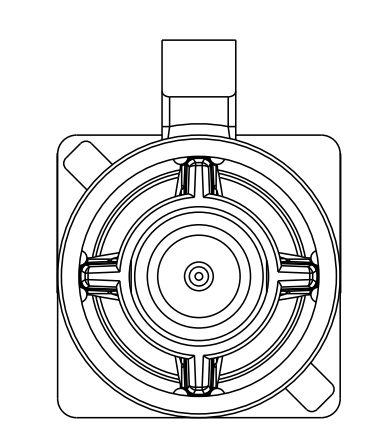
### CODINGS



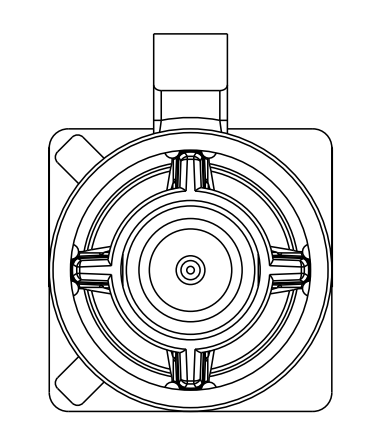
SCALE 5:1  
DETAIL A



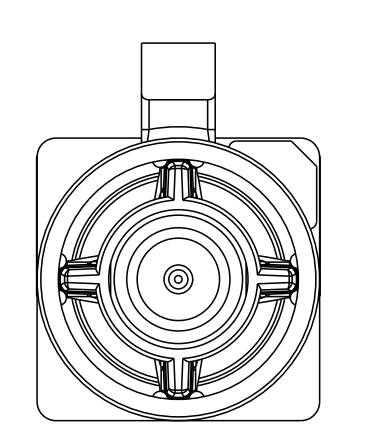
SCALE 5:1  
DETAIL B



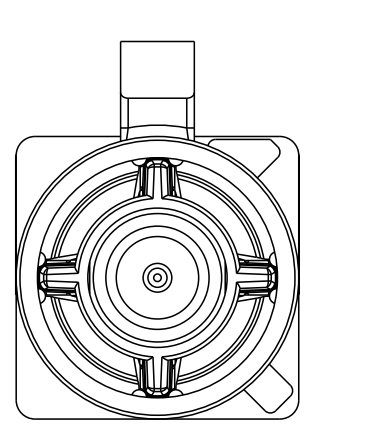
SCALE 5:1  
DETAIL C



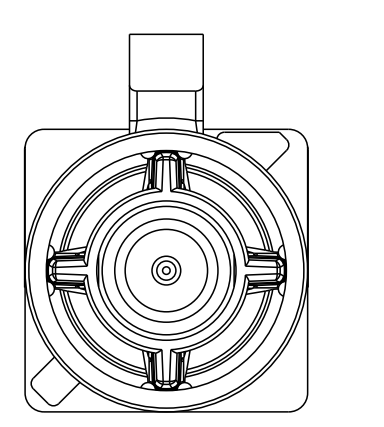
SCALE 5:1  
DETAIL D



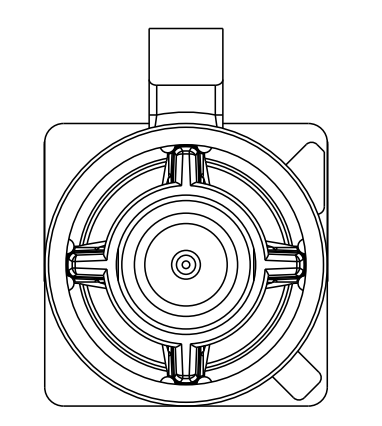
SCALE 5:1  
DETAIL E



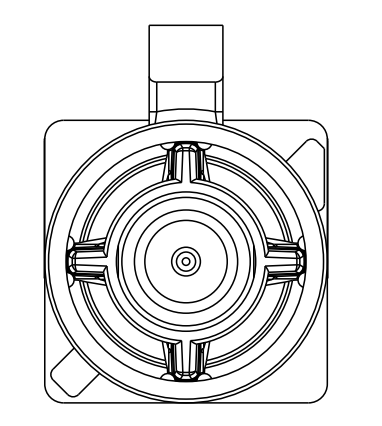
SCALE 5:1  
DETAIL F



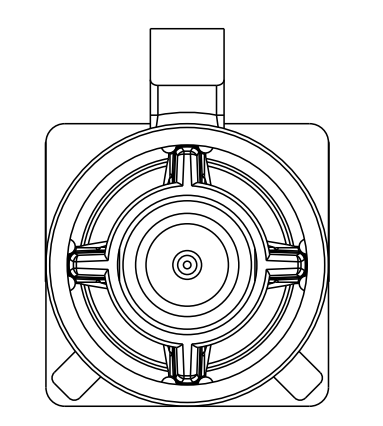
SCALE 5:1  
DETAIL G



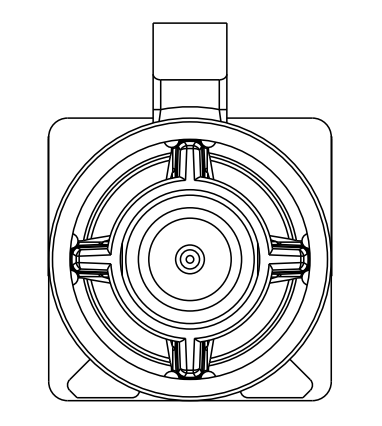
SCALE 5:1  
DETAIL H



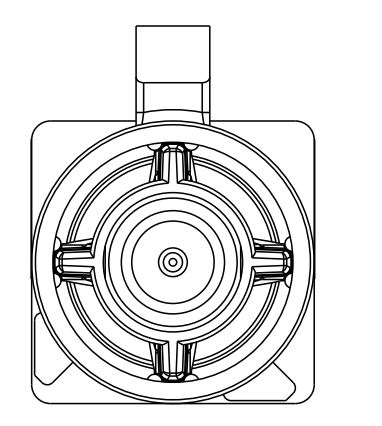
SCALE 5:1  
DETAIL I



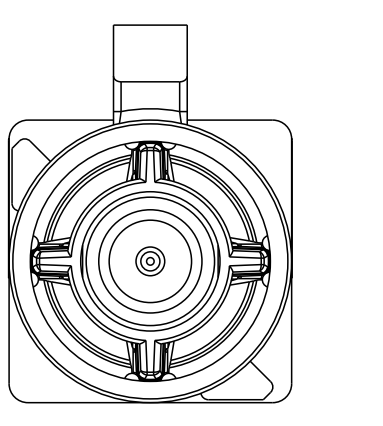
SCALE 5:1  
DETAIL K



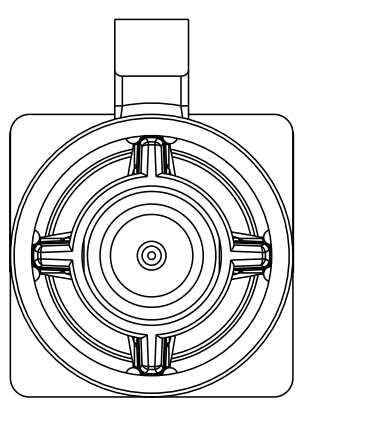
SCALE 5:1  
DETAIL L



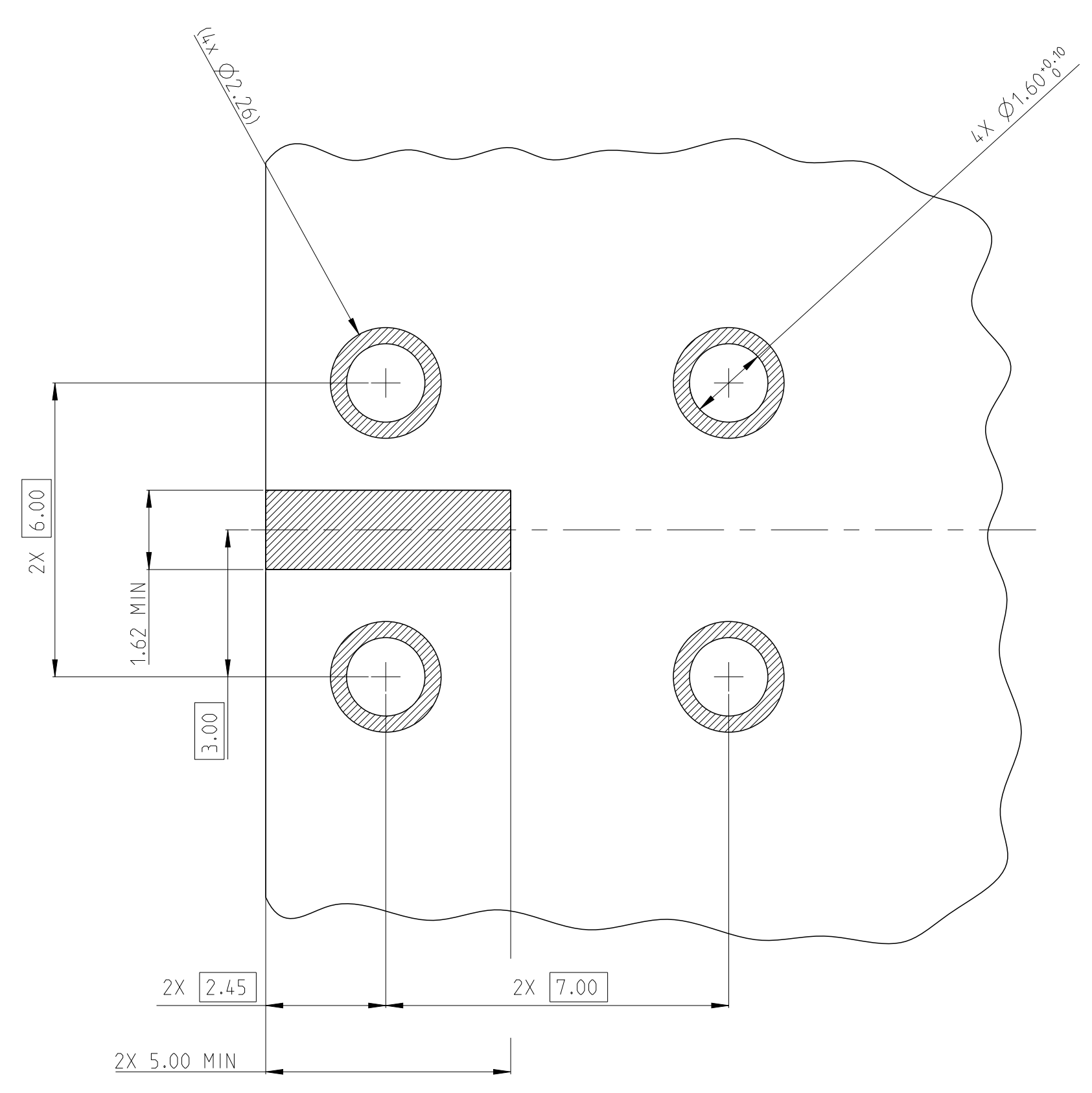
SCALE 5:1  
DETAIL M



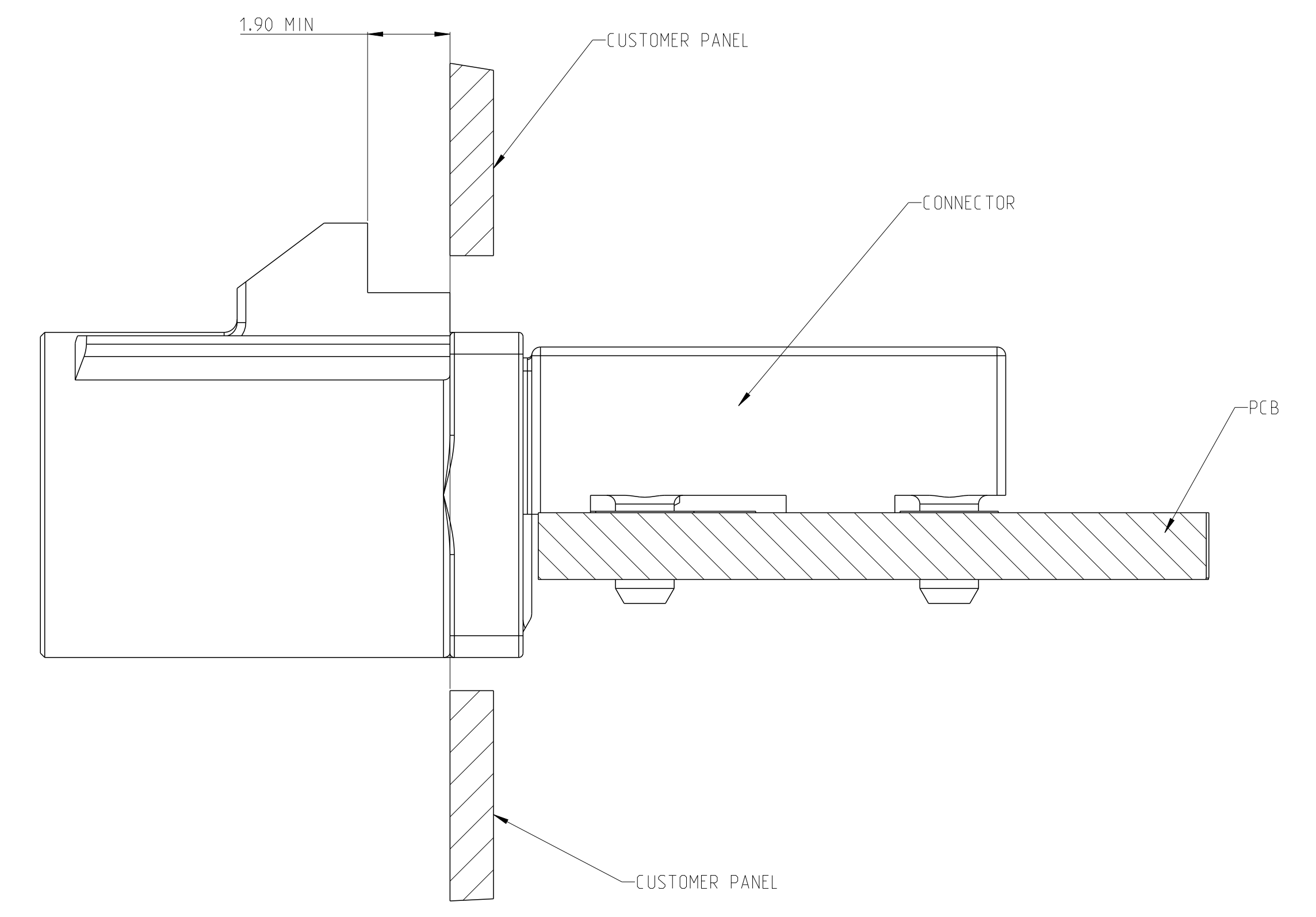
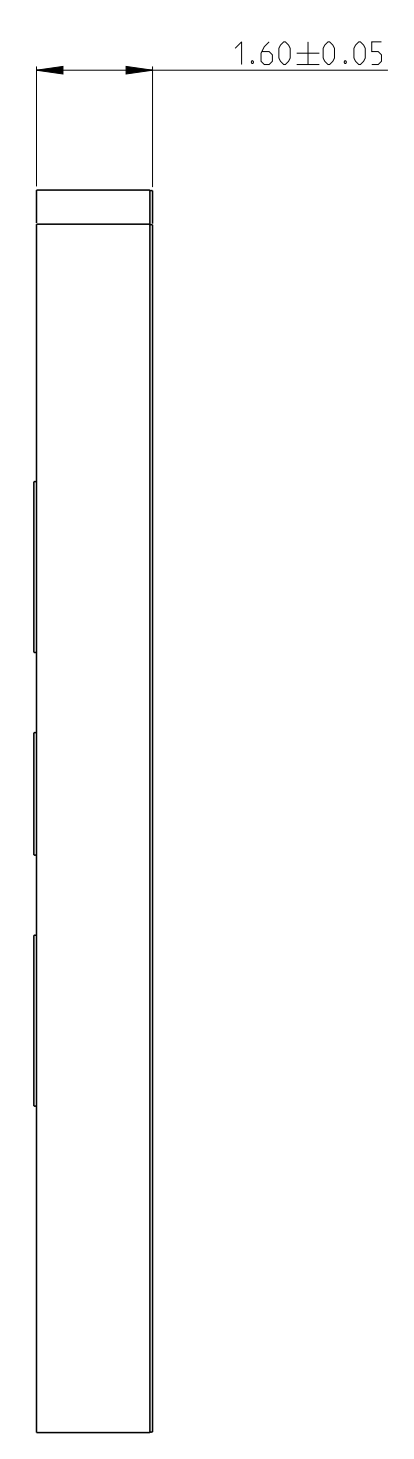
SCALE 5:1  
DETAIL N



SCALE 5:1  
DETAIL Z



⌀0.08 (ALL HOLES)  
RECOMMEND PCB LAYOUT



RECOMMEND PANEL LAYOUT

THIS DRAWING IS A CONTROLLED DOCUMENT.		OWN: D.ZHU	19JUN2019	
DIMENSIONS: mm		CHK: W.W.U	01JUL2019	
TOLERANCES UNLESS OTHERWISE SPECIFIED:		APVD: L.Y.X	01JUL2019	NAME: FAKRA HEADER ASSEMBLY
0 PLC	±	PRODUCT SPEC	108-32058	1 POS. EDGE MOUNT
1 PLC	±0.3	APPLICATION SPEC	116-32108	
2 PLC	±0.20	SIZE: A1	CAGE CODE: -	DRAWING NO: C=2314170
3 PLC	±	RESTRICTED TO: -	SCALE: 5:1	SHEET: 2 OF 2
4 PLC	±	WEIGHT: -	REV: A	
ANGLES	±	CUSTOMER DRAWING		
FINISH	±			

## X-ON Electronics

Largest Supplier of Electrical and Electronic Components

*Click to view similar products for [Automotive Connectors](#) category:*

*Click to view products by [TE Connectivity](#) manufacturer:*

Other Similar products are found below :

[003-018-000](#) [60403001](#) [60993906-B](#) [M902-2131](#) [M902-2161](#) [72.330.1035.1](#) [73.353.4028.0](#) [F119300-B](#) [F166900](#) [F258300-B](#) [F358300-B](#)  
[F407400](#) [F444110](#) [F487000](#) [F509500B-B](#) [827153-1](#) [8N1515-32-24P](#) [9-1326729-8](#) [925474-1](#) [928905-1](#) [964562-4](#) [968782-1](#) [GT17SA-8DS-](#)  
[HU](#) [98891-1012](#) [98947-1016](#) [12004147](#) [12004475-L](#) [12010290](#) [12010309-B](#) [12015454](#) [12020219-B](#) [12020308](#) [12041318-B](#) [12052225-L](#)  
[12052466](#) [12059125](#) [12064869](#) [12004327-B](#) [12010503-B](#) [12015308](#) [12015384](#) [12015909](#) [1-21030-1](#) [12041254](#) [12041318](#) [12047946-B](#)  
[12047957](#) [12047957-L](#) [12059473](#) [12066261](#)