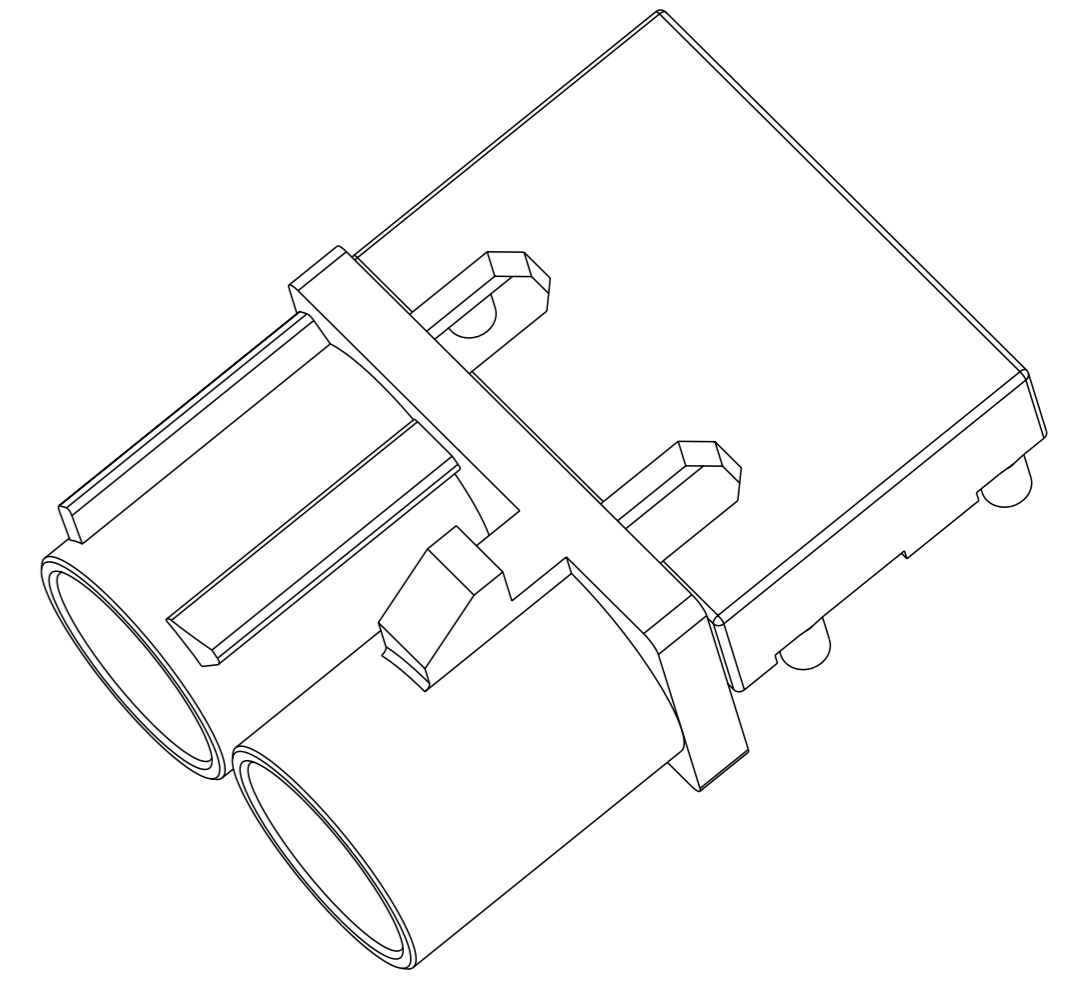
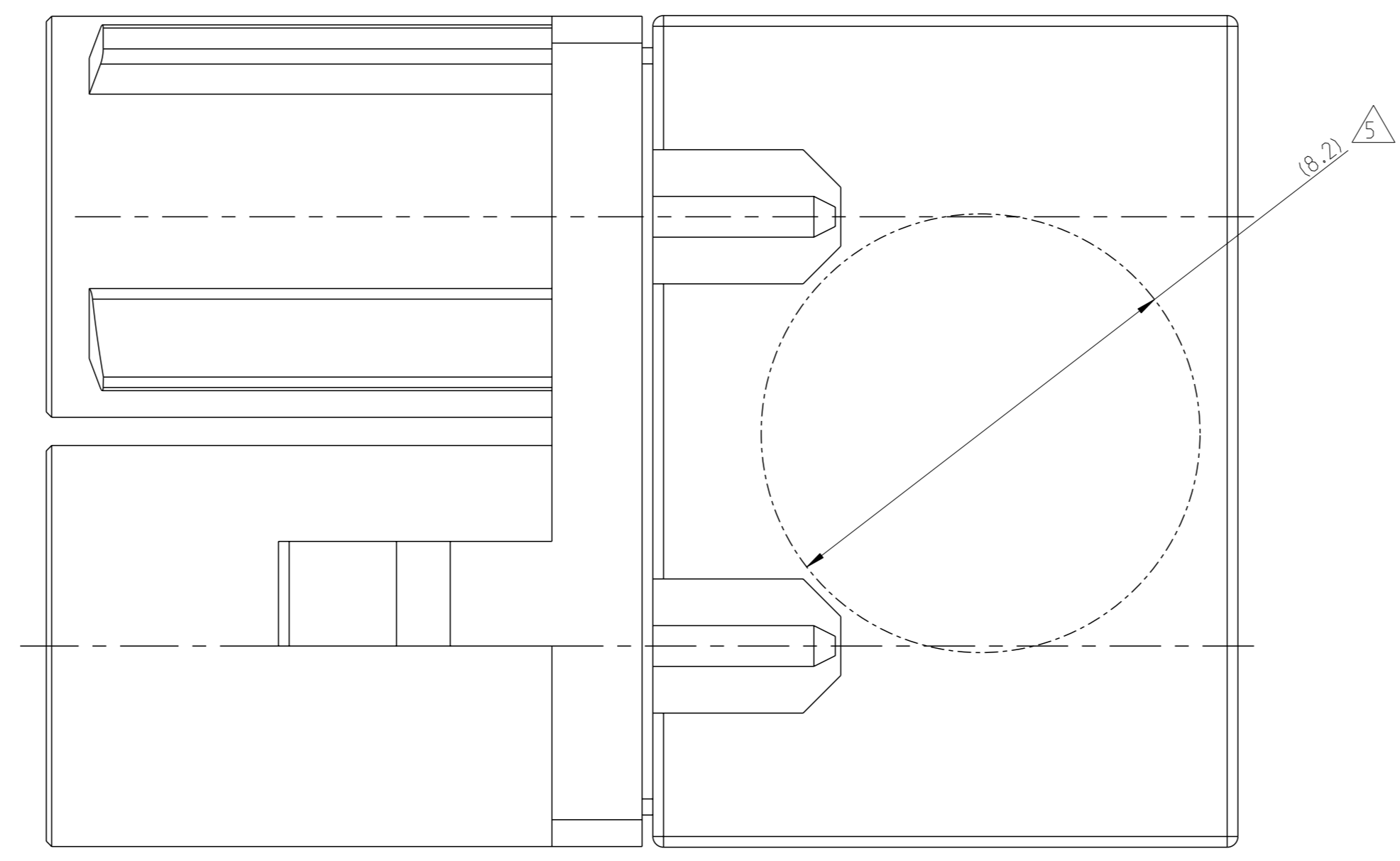
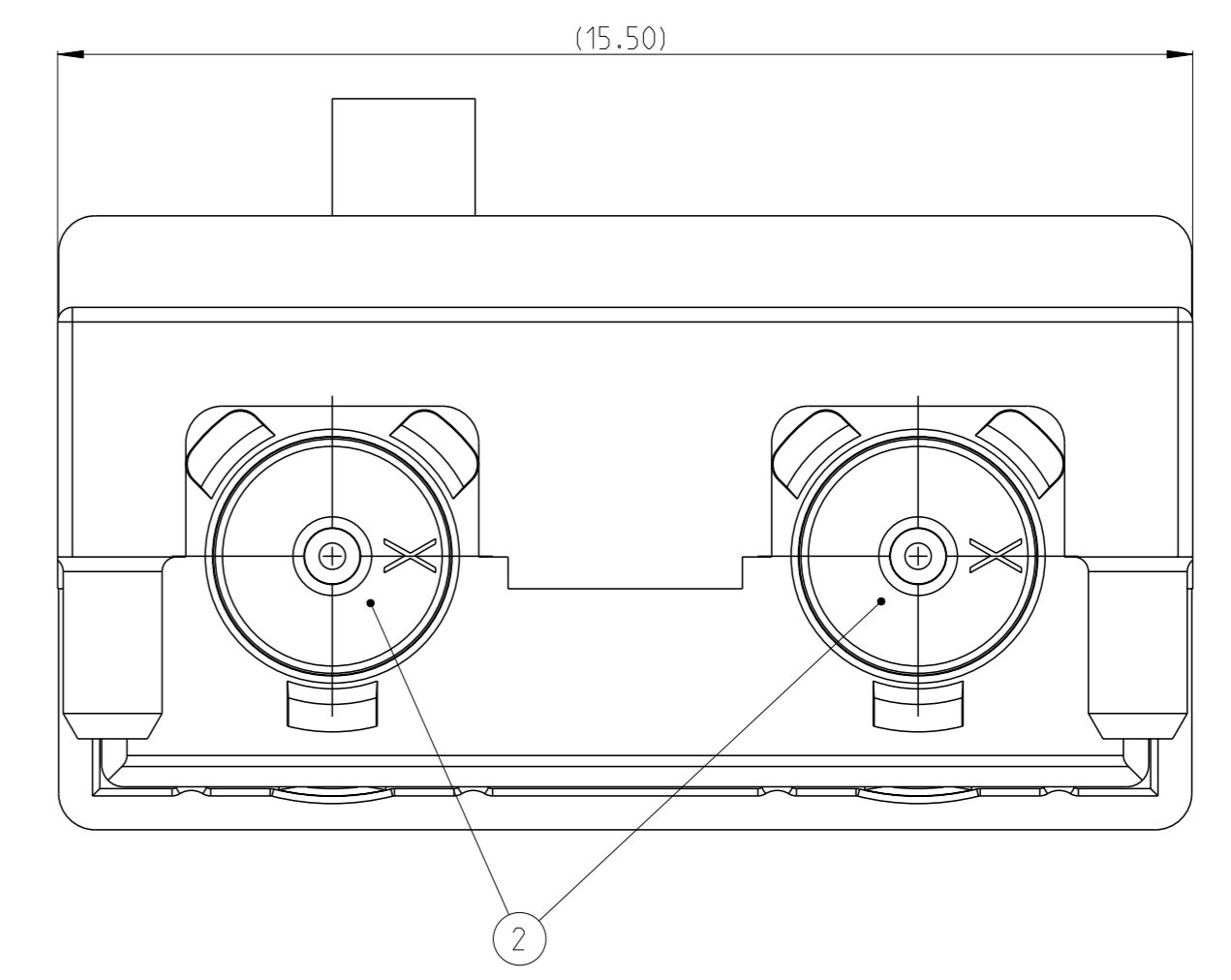
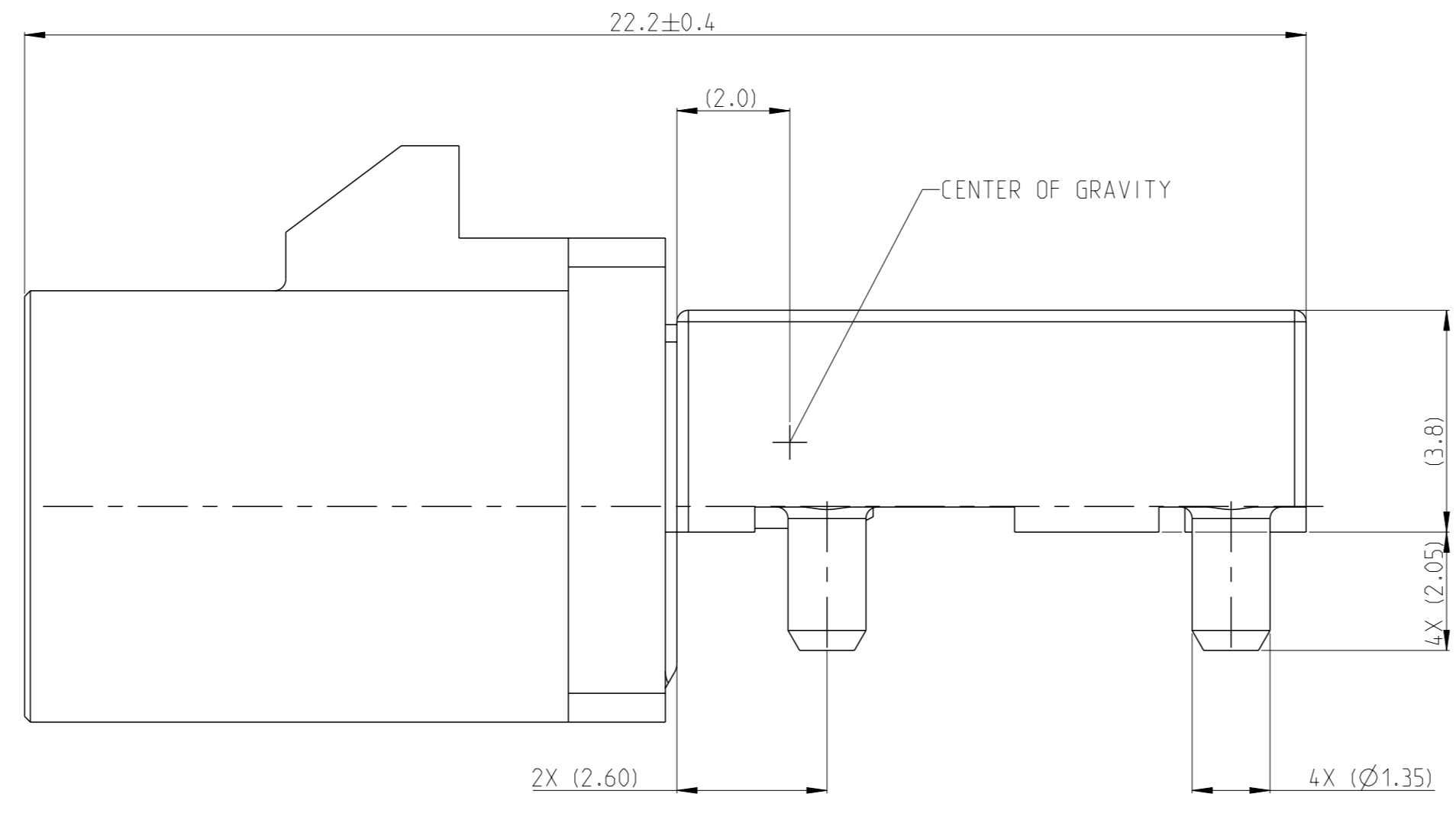
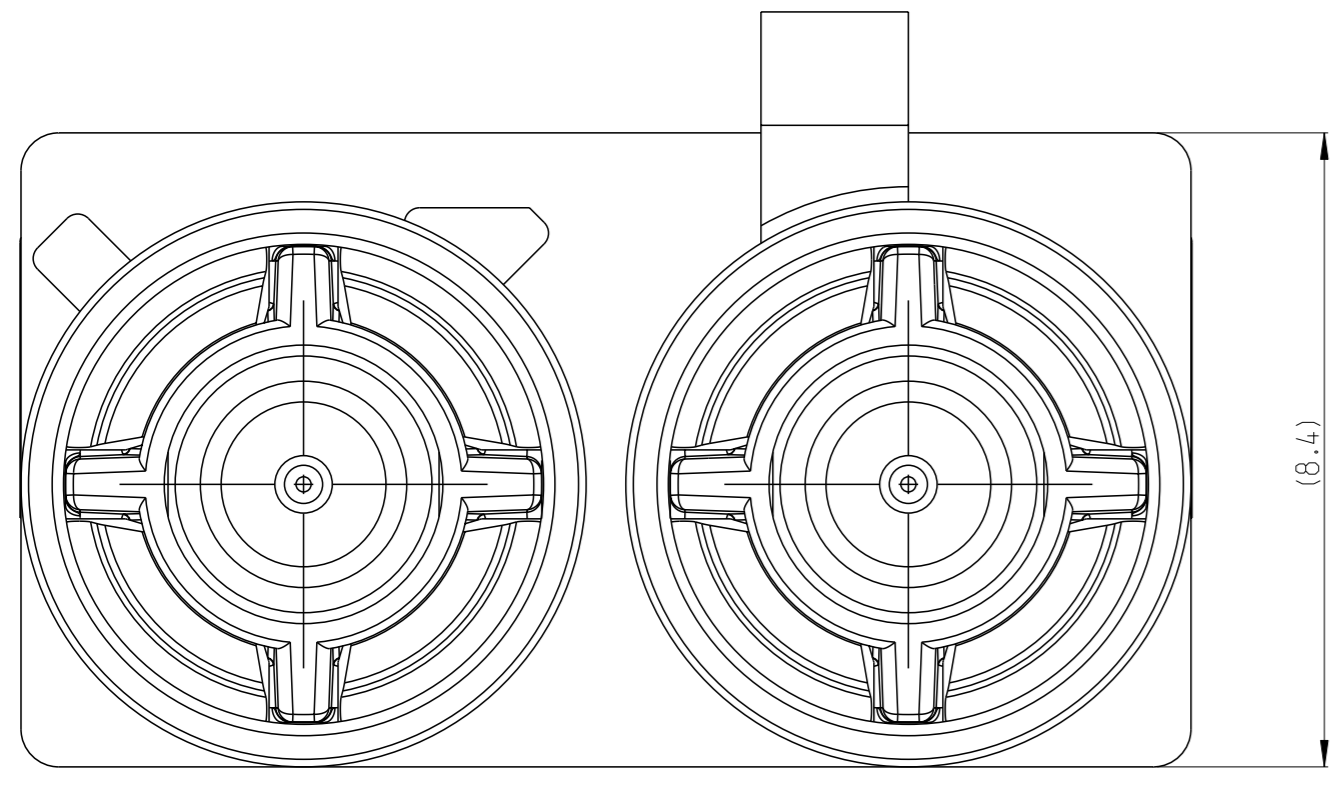


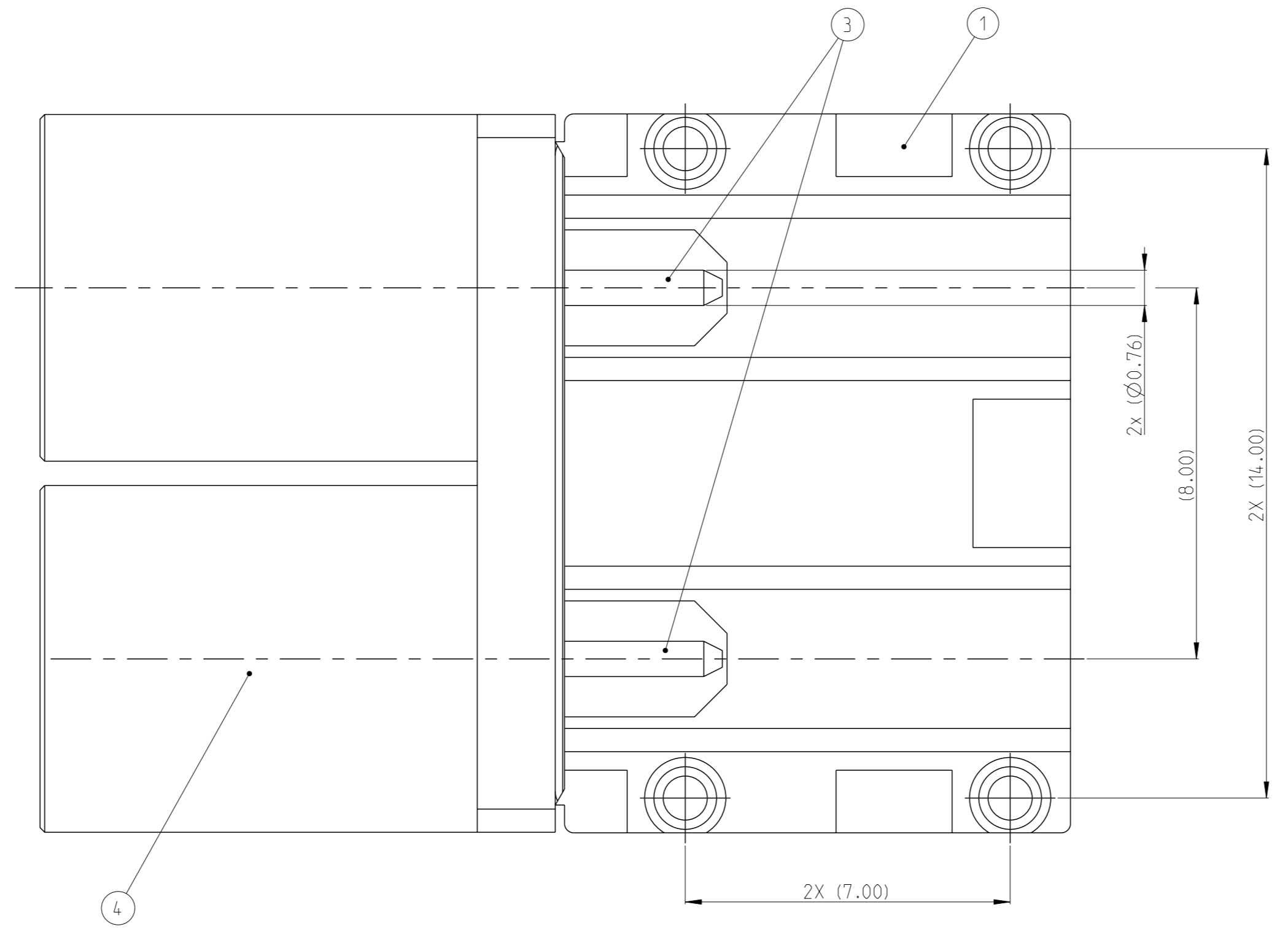
LOC		DIST		REVISIONS			
P	LYR	DESCRIPTION	DATE	OWN	APVD		
A		INITIAL RELEASE	01JUL19	D.Z	I.Y		



SCALE 5:1



- 1 NOSE CONE - NYLON. COLOR: SEE TABLE.
DIELECTRIC - POLYESTER PCT. NATURAL.
PIN CONTACT - BRASS.
OUTER SHELL - ZINC.
- 2 PIN CONTACT - GOLD PLATED ON INTERFACE END. 2.5µm MIN TIN ON SOLDER END.
BOTH OVER 1.3µm MIN NICKEL.
OUTER SHELL - 2.0µm MIN TIN OVER 1.52µm MIN NICKEL. BOTH OVER 2.54µm MIN COPPER.
- 3 MALE INTERFACE PER ISO 20860-1 OR DIN 72594-1
- 4 MASS: 4.5g (ONLY FOR REFERENCE)
- 5 VACUUM PICKUP AREA.
- 6 PACKAGING: TAPE AND REEL.



ACTIVE	PER DETAIL Z	WATER BLUE	MATERIAL BRASS	MATERIAL PCT	MATERIAL ZINC ALLOY	Z	1-2314188-4			
PRELIMINARY	PER DETAIL N	PASTEL GREEN				N	1-2314188-3			
ACTIVE	PER DETAIL M	PASTEL ORANGE				M	1-2314188-2			
ACTIVE	PER DETAIL L	CARMINE RED				L	1-2314188-1			
PRELIMINARY	PER DETAIL K	CURRY				K	1-2314188-0			
PRELIMINARY	PER DETAIL I	BEIGE				I	2314188-9			
PRELIMINARY	PER DETAIL H	HEATHER VIOLET				H	2314188-8			
PRELIMINARY	PER DETAIL G	BLUE GREY				G	2314188-7			
PRELIMINARY	PER DETAIL F	NUT BROWN				F	2314188-6			
PRELIMINARY	PER DETAIL E	LEAF GREEN				E	2314188-5			
ACTIVE	PER DETAIL D	CLARET VIOLET				D	2314188-4			
ACTIVE	PER DETAIL C	SIGNAL BLUE				C	2314188-3			
ACTIVE	PER DETAIL B	CREAM				B	2314188-2			
ACTIVE	PER DETAIL A	JET BLACK				A	2314188-1			
STATUS	CODING DETAIL	NOSE CONE COLOR				CENTER PIN QTY=2	DIELECTRIC QTY=2	DIE CASTING QTY=1	CODING REF	PART NUMBER

THIS DRAWING IS A CONTROLLED DOCUMENT. OWN: D.ZHU 13MAY2019
 CHK: W.WU 01JUL2019
 APVD: L.YIN 01JUL2019

DIMENSIONS: mm
 TOLERANCES UNLESS OTHERWISE SPECIFIED:
 0 PLC ±0.3
 1 PLC ±0.2
 2 PLC ±0.2
 3 PLC ±0.2
 4 PLC ±0.2
 ANGLES FINISH

MATERIAL: -1
 FINISH: -2

THIS DRAWING IS A CONTROLLED DOCUMENT. OWN: D.ZHU 13MAY2019
 CHK: W.WU 01JUL2019
 APVD: L.YIN 01JUL2019

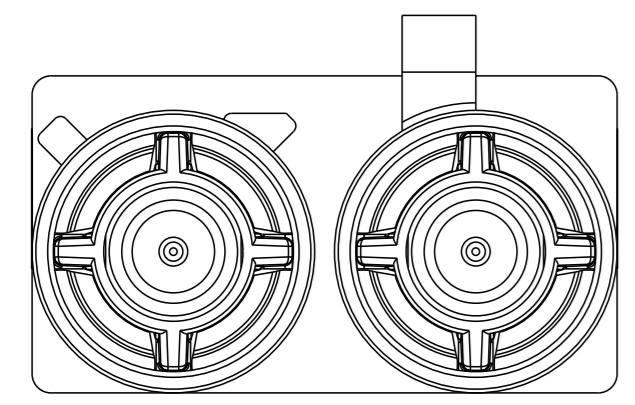
PRODUCT SPEC: 108-32058
 APPLICATION SPEC: 114-32108

WEIGHT: 4.5g

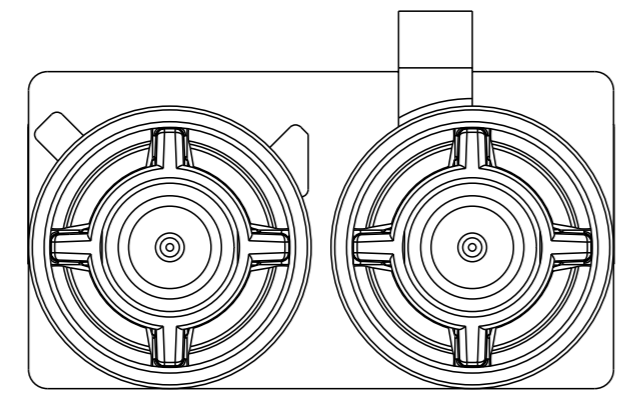
SCALE: 10:1 SHEET 1 OF 2 REV A

STE TE Connectivity
 NAME: FAKRA HEADER ASSEMBLY 2 POS. EDGE MOUNT.
 SIZE: A1 CAGE CODE: 00779 DRAWING NO: 2314188

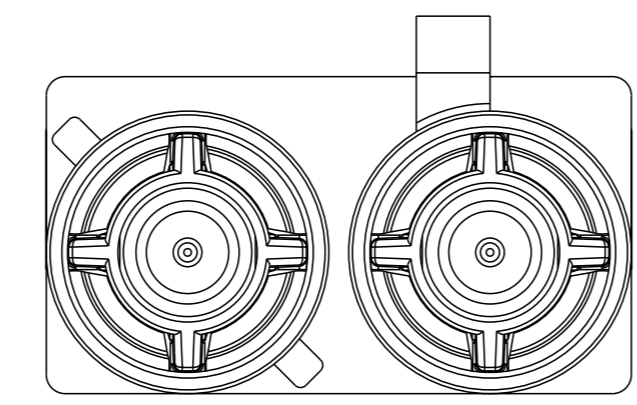
LOC		DIST		REVISIONS			
P	LY#	DESCRIPTION	DATE	OWN	APVD		
-	-	SEE SHEET 1	-	-	-		



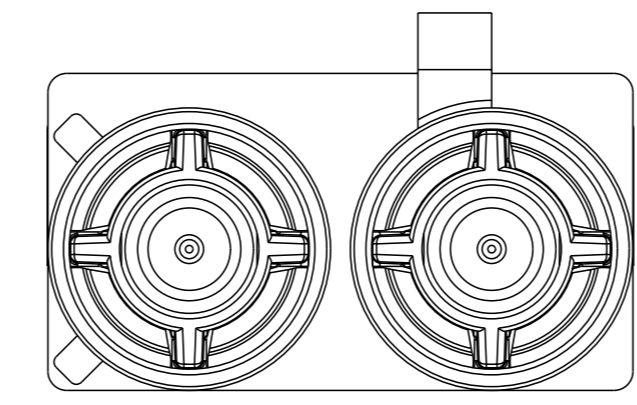
DETAIL A
SCALE 5:1



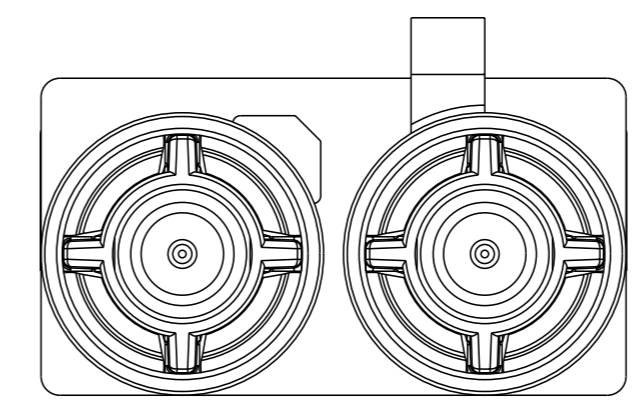
DETAIL B
SCALE 5:1



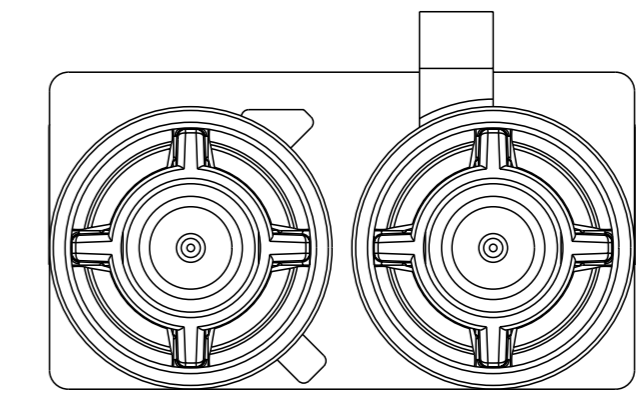
DETAIL C
SCALE 5:1



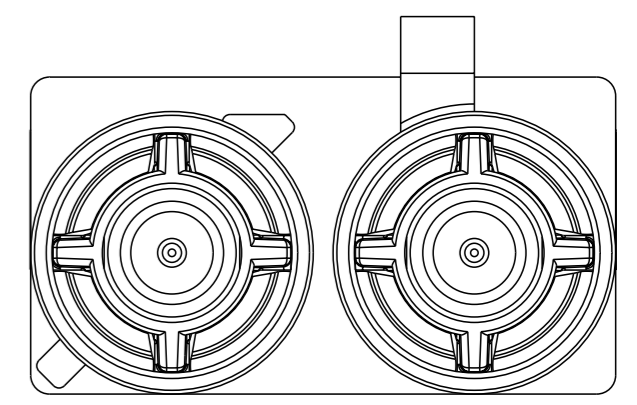
DETAIL D
SCALE 5:1



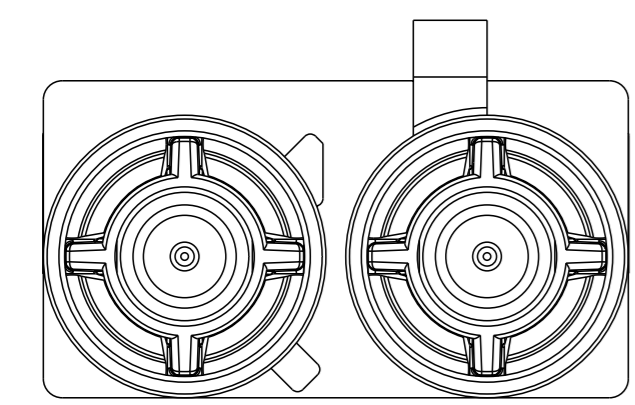
DETAIL E
SCALE 5:1



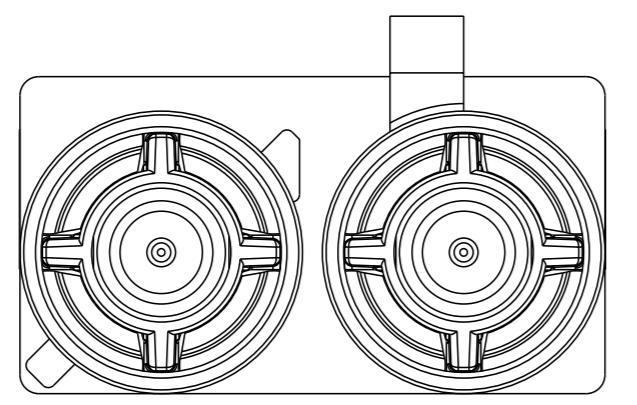
DETAIL F
SCALE 5:1



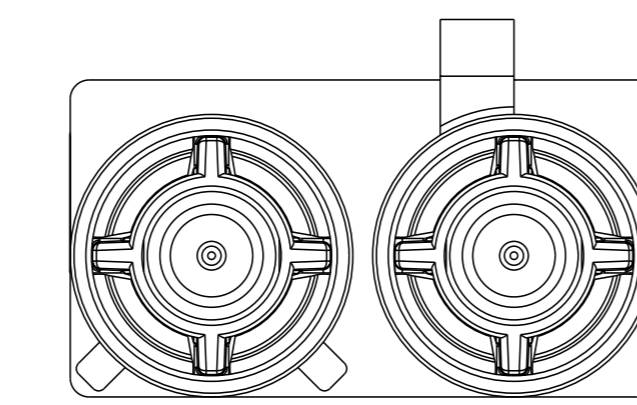
DETAIL G
SCALE 5:1



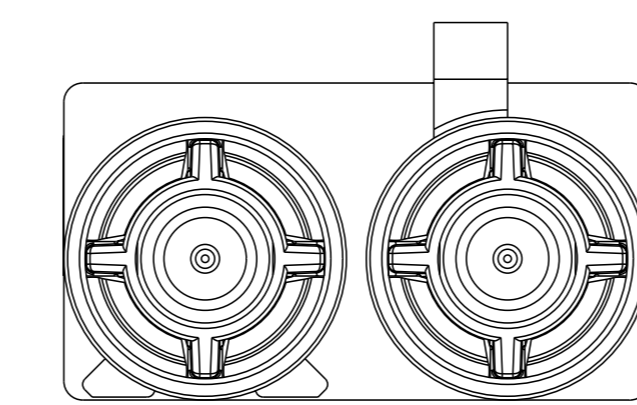
DETAIL H
SCALE 5:1



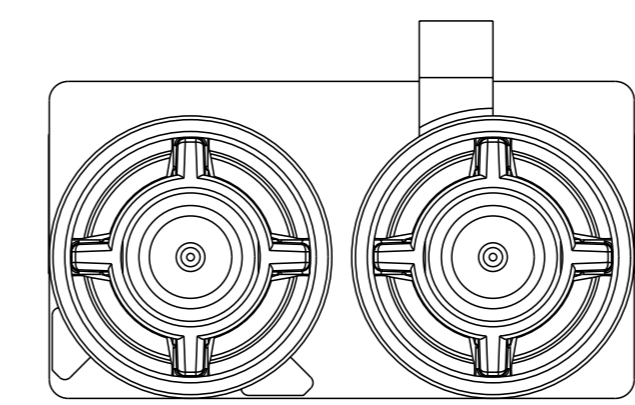
DETAIL I
SCALE 5:1



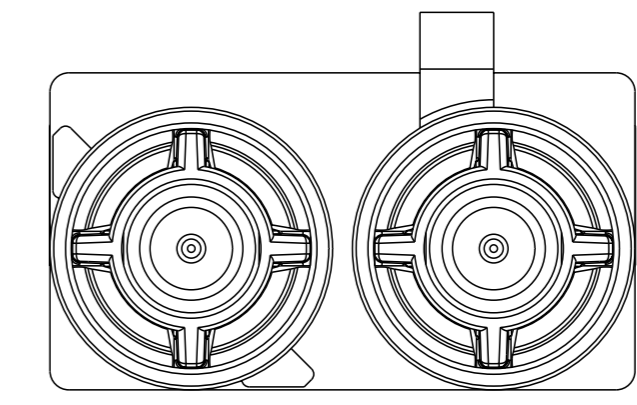
DETAIL K
SCALE 5:1



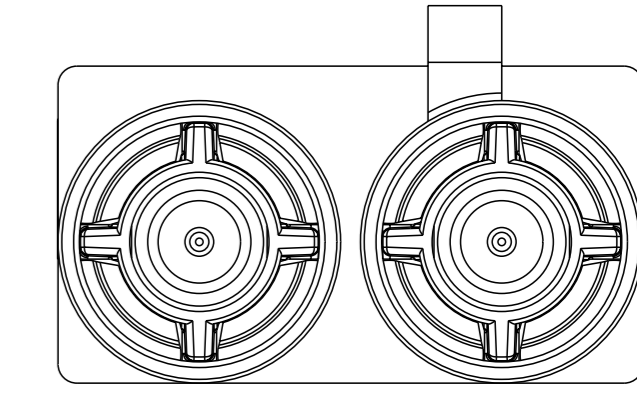
DETAIL L
SCALE 5:1



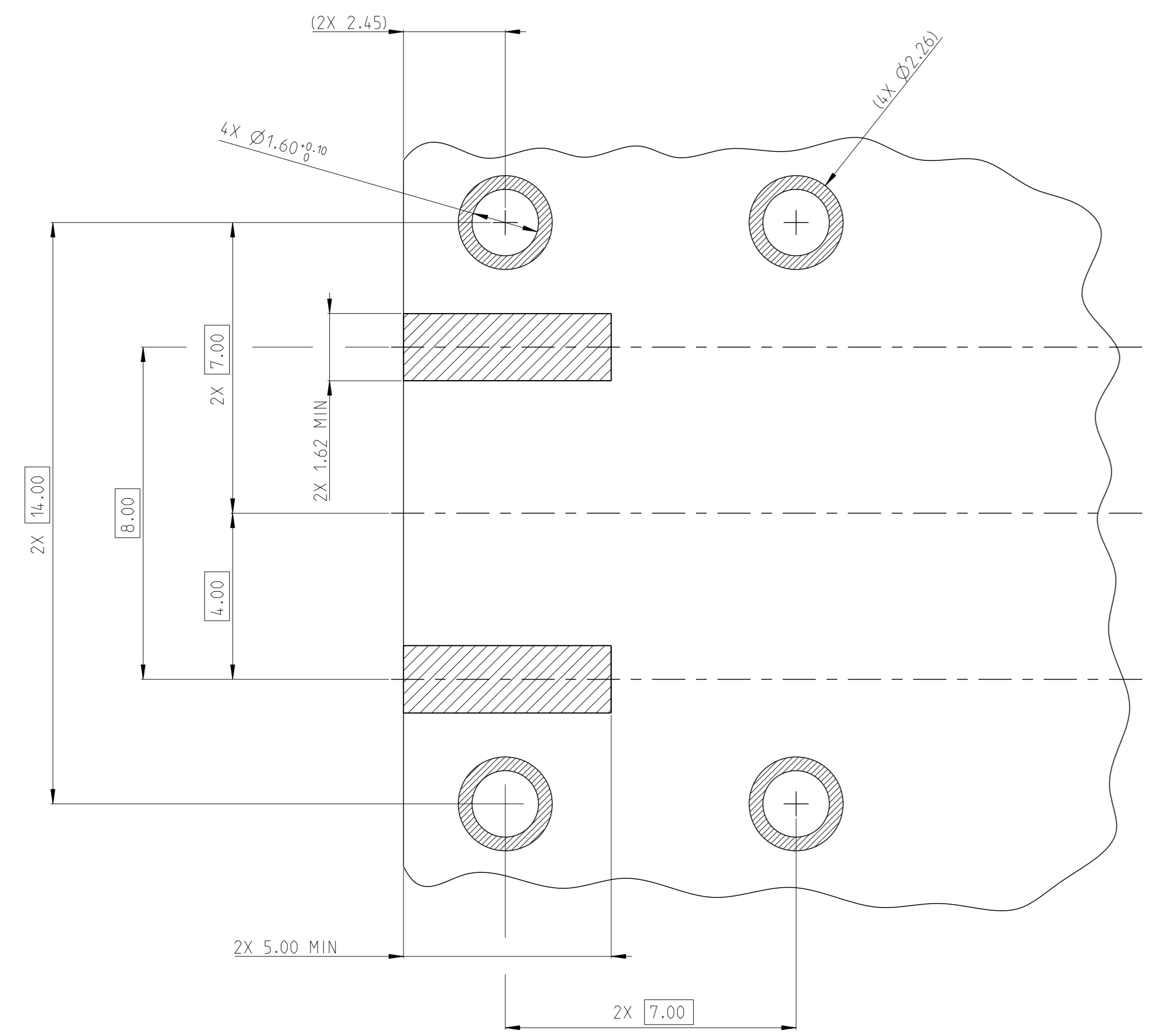
DETAIL M
SCALE 5:1



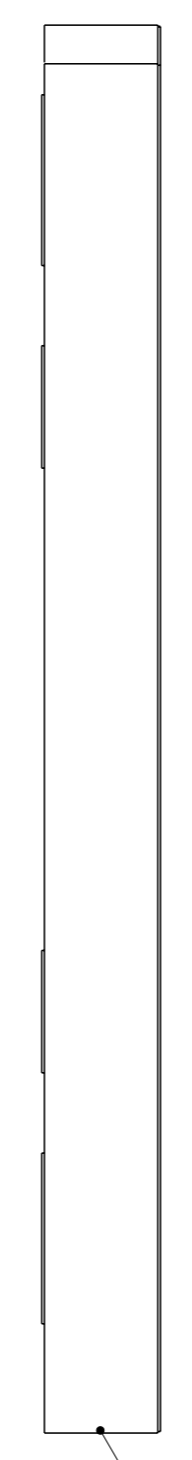
DETAIL N
SCALE 5:1



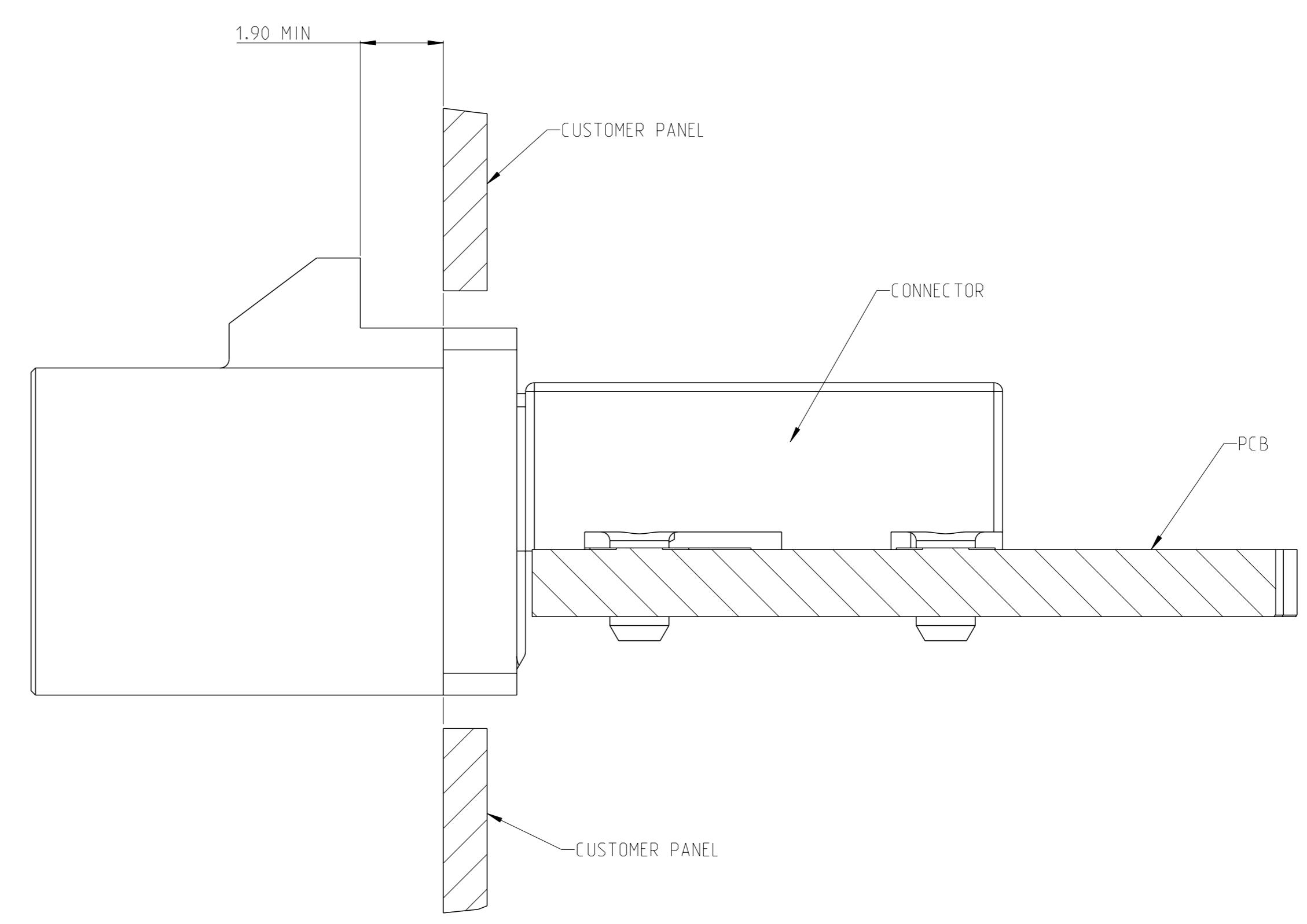
DETAIL Z
SCALE 5:1



⊕ ⌀0.08 (ALL HOLES)
RECOMMEND PCB LAYOUT



RECOMMEND PCB THICKNESS: 1.60±0.05



RECOMMEND PANEL LAYOUT

THIS DRAWING IS A CONTROLLED DOCUMENT.		OWN D.ZHU	13MAY2019	TE Connectivity NAME FAKRA HEADER ASSEMBLY 2 POS. EDGE MOUNT.
DIMENSIONS:		CHK W.WU	01JUL2019	
mm	TOLERANCES UNLESS OTHERWISE SPECIFIED:	APVD LYN	01JUL2019	SIZE A1
0 PLC ± 1 PLC ±0.3 2 PLC ±0.2 3 PLC ± 4 PLC ± ANGLES ± FINISH ±	PRODUCT SPEC 108-32058 APPLICATION SPEC 114-32108	WEIGHT CUSTUMER DRAWING		RESTRICTED TO -
MATERIAL	SEE TABLE	SCALE 6:1		SHEET 2 OF 2
		DRAWING NO. 00779		REV A

X-ON Electronics

Largest Supplier of Electrical and Electronic Components

Click to view similar products for [Automotive Connectors](#) category:

Click to view products by [TE Connectivity](#) manufacturer:

Other Similar products are found below :

[003-018-000](#) [60403001](#) [60993906-B](#) [M902-2131](#) [M902-2161](#) [72.330.1035.1](#) [73.353.4028.0](#) [F119300-B](#) [F166900](#) [F258300-B](#) [F358300-B](#)
[F407400](#) [F444110](#) [F487000](#) [F509500B-B](#) [827153-1](#) [8N1515-32-24P](#) [9-1326729-8](#) [925474-1](#) [928905-1](#) [964562-4](#) [968782-1](#) [GT17SA-8DS-](#)
[HU](#) [98891-1012](#) [98947-1016](#) [12004147](#) [12004475-L](#) [12010290](#) [12010309-B](#) [12015454](#) [12020219-B](#) [12020308](#) [12041318-B](#) [12052225-L](#)
[12052466](#) [12059125](#) [12064869](#) [12004327-B](#) [12010503-B](#) [12015308](#) [12015384](#) [12015909](#) [1-21030-1](#) [12041254](#) [12041318](#) [12047946-B](#)
[12047957](#) [12047957-L](#) [12059473](#) [12066261](#)