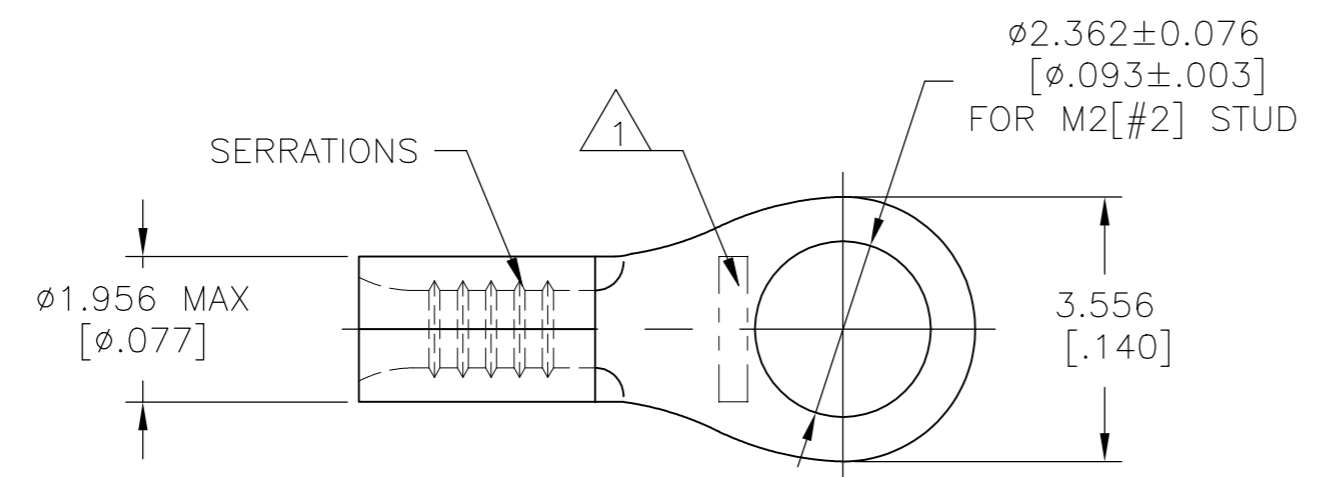
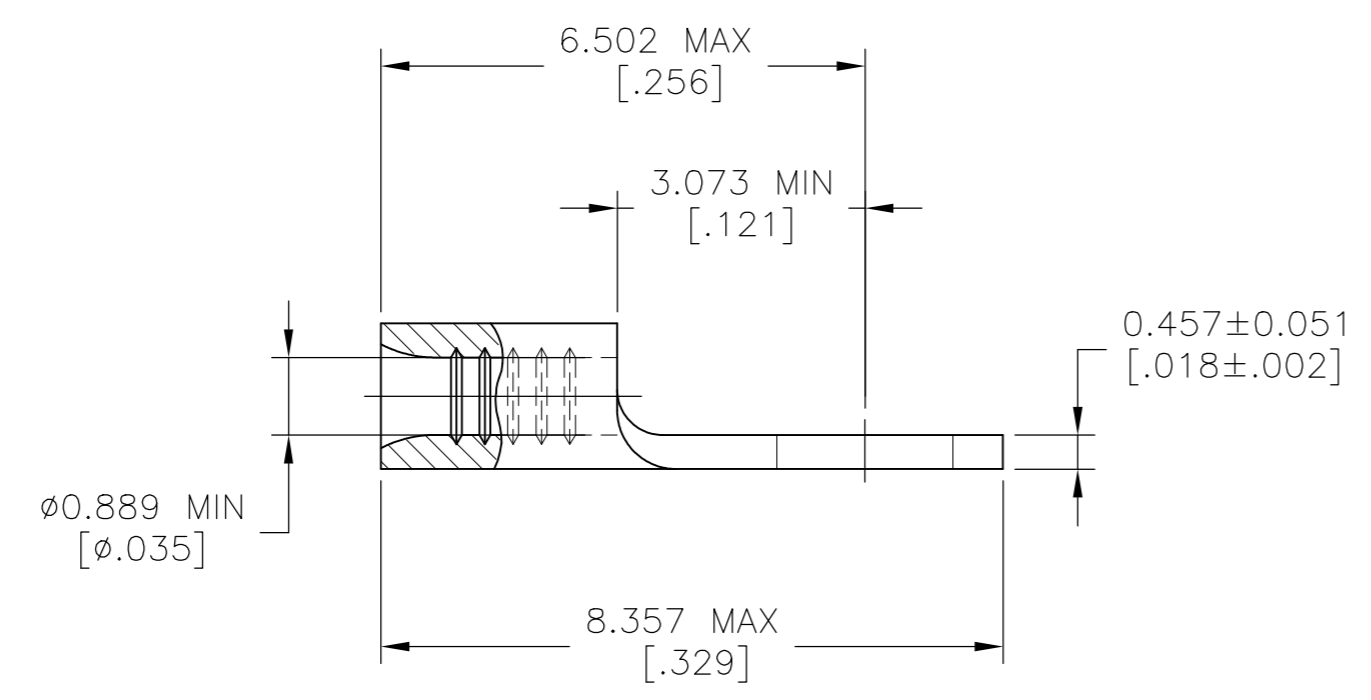


THIS DRAWING IS UNPUBLISHED. RELEASED FOR PUBLICATION
 © COPYRIGHT - By - ALL RIGHTS RESERVED.

| REVISIONS | | | | | |
|-----------|-----|---------------------------|-----------|-----|------|
| P | LTR | DESCRIPTION | DATE | DWN | APVD |
| | F3 | REVISED PER ECO-12-014453 | 13SEP12 | KH | DR |
| | F4 | REVISED PER ECO-17-008806 | 16FEB2018 | RS | DR |



- 1 STAMP AMP APPROX AS SHOWN
- 2 TIN PLATE 0.00254 [.000100] MIN THK PER ASTM B-545
- 3 NICKEL PLATE 0.00762 [.000300] MIN THK PER QQ-N-290
- 4 COPPER PER ASTM B-152, ANNEALED
- 5 NOTE DELETED
- 6 NOTE DELETED



| | | | |
|------|--------|-------------|-----------|
| 1000 | 3 | LOOSE PIECE | 2-31425-3 |
| 5000 | 2 | ON TAPE | 2-31425-2 |
| 1000 | 2 | LOOSE PIECE | 31425 |
| QTY | FINISH | PACKAGING | PART NO |

| | | |
|--|--|---|
| AMP INCORPORATED CUSTOMER SERVICE SYSTEMS | | MAX RECOMMENDED OPERATING TEMPERATURE: 170°C [338°F] |
| FOR ADDITIONAL PRODUCT INFORMATION OR COPIES OF DRAWINGS AND TECHNICAL DOCUMENTS | PRODUCT INFORMATION CENTER 1-800-522-6752 | VOLTAGE RATING: N/A |
| FOR APPLICATION TOOLING INFORMATION | TOOLING ASSISTANCE CENTER 1-800-722-1111 | CIRCULAR MIL AREA: 0.1-0.41mm ² [202-810] STRANDED |
| FOR ORDER ENTRY | 1-800-526-5142 | THIS DRAWING IS A CONTROLLED DOCUMENT FOR AMP INCORPORATED. IT IS SUBJECT TO CHANGE AND THE CONTROLLING ENGINEERING ORGANIZATION SHOULD BE CONTACTED FOR THE LATEST REVISION. |

| | | | | |
|---|--|--------------------------------|---|---------------|
| THIS DRAWING IS A CONTROLLED DOCUMENT. | | DWN TA BRINKMAN 2-2-93 | STE TE Connectivity Ltd. | |
| DIMENSIONS: mm [INCHES] | | CHK DA PATTERSON 2-2-93 | | |
| TOLERANCES UNLESS OTHERWISE SPECIFIED: 0 PLC ± - 1 PLC ± - 2 PLC ± - 3 PLC ± 0.127[.005] 4 PLC ± - ANGLES ± - | | APVD DA PATTERSON 2-2-93 | NAME TERMINAL, RING TONGUE, BUDGET WIRE SIZE 26-22 AWG | |
| MATERIAL COPPER 4 | | FINISH SEE TABLE | WEIGHT | RESTRICTED TO |
| CUSTOMER DRAWING | | SCALE 10:1 | SHEET 1 of 1 | REV F4 |

X-ON Electronics

Largest Supplier of Electrical and Electronic Components

Click to view similar products for [Terminals](#) category:

Click to view products by [TE Connectivity](#) manufacturer:

Other Similar products are found below :

[00-054007-01074-6](#) [00-054007-70206-1](#) [00-054007-70210-8](#) [00-054007-70217-7](#) [00-054007-70226-9](#) [00-054007-70228-3](#) [00-054007-70248-1](#) [00-054007-70256-6](#) [00-054007-70301-3](#) [00-054007-70316-7](#) [0-0320562-0](#) [00-054007-49560-4](#) [00-054007-70209-2](#) [00-054007-70225-2](#) [00-054007-70227-6](#) [00-054007-70231-3](#) [00-054007-70241-2](#) [00-054007-70242-9](#) [00-054007-70244-3](#) [00-054007-70246-7](#) [00-054007-70263-4](#) [00-054007-70288-7](#) [00-054007-70290-0](#) [00-054007-70300-6](#) [00-054007-70304-4](#) [01-2065-1-0216](#) [01-2900-1-04412](#) [00581P0075](#) [600TS-10](#) [60205-1](#) [604200-1](#) [605601-1](#) [60598-1-CUT-TAPE](#) [61314-6-C](#) [61810-3](#) [61-S](#) [61-SN](#) [626-0194](#) [62-NBM-A](#) [62-SN](#) [62-SP](#) [63-S](#) [640179-1](#) [M55155/059I03](#) [M55155/079C01](#) [M55155/099H02](#) [M55155/109H01](#) [M55155/109H02](#) [M55155/12XH05](#) [M55155/16XH02](#)