

THIS DRAWING IS UNPUBLISHED. RELEASED FOR PUBLICATION 20  
 © COPYRIGHT 20 BY - ALL RIGHTS RESERVED.

ABSOLUTE MAXIMUM RATINGS	SYMBOL	MIN	MAX	UNIT
STORAGE TEMPERATURE	Tstg	-40	85	°C
POWER SUPPLY INPUT VOLTAGE	Vdd	3.1	3.5	VDC
TOTAL SYSTEM CURRENT DRAW	Id	x	33	mA

ELECTRICAL CHARACTERISTICS	MIN	MAX	UNIT
ANALOG AUDIO OUTPUT SENSITIVITY	-25	-19	dBV
ANALOG AUDIO OUTPUT FREQ RANGE	100	10k	Hz

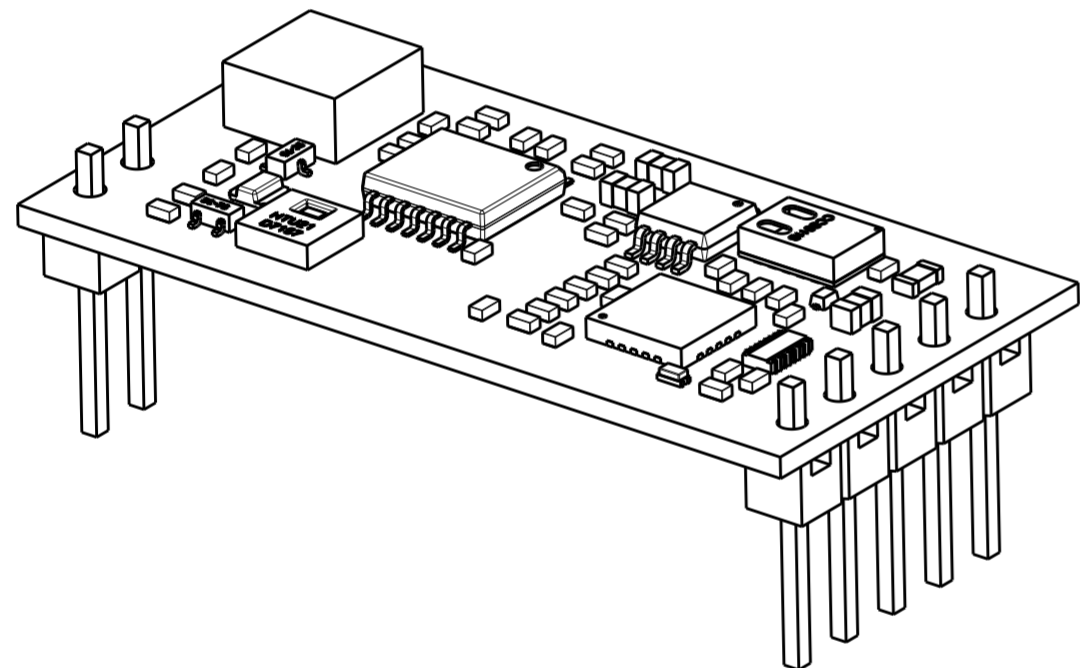
ENVIRONMENTAL CHARACTERISTICS	MIN	MAX	UNIT
OPERATING TEMPERATURE	-5	50	°C
RELATIVE HUMIDITY OPERATING, NON-CONDENSING ENVIRONMENT	5	95	%

ITEM: SENSOR	SENSOR PERFORMANCE
1: TEMPERATURE	-5°C TO +50°C ±0.3°C ACCURACY, 1 SECOND ACQUISITION RATE
2: RELATIVE HUMIDITY	5% TO 95% RH, 2% ACCURACY, 1 SECOND ACQUISITION RATE
3: MOTION	INTERRUPT DRIVEN, RESPONSE <0.5 SECS.
4: AMBIENT LIGHT LEVELS	1 SECOND ACQUISITION RATE
5: MICROPHONE	INTERRUPT DRIVEN, RESPONSE <0.5 SECS.
6: EQUIVALENT CO2	400-8192 ppm, 60 SECOND ACQUISITION RATE
7: VOC	0-1187 ppb, 60 SECOND ACQUISITION RATE

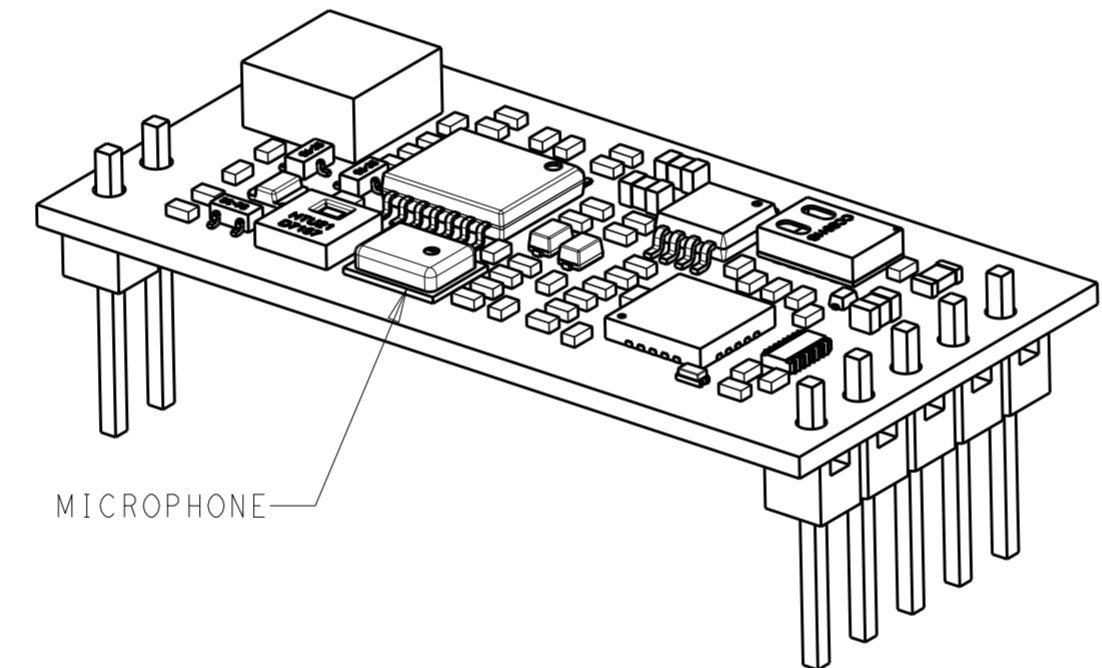
REVISIONS				
P	LTR	DESCRIPTION	DATE	APVD
A2		2314291-2; 1-2314291-2 RELEASED	31 JUL 2018	SM

NOTES:

- THIS PRODUCT HAS NOT COMPLETED VALIDATION TESTING.
- MUST COMPLY WITH DIRECTIVE 2002/95/EC (ROHS).
- SEPARATE LENS AVAILABLE UNDER TE P/N: 2317697-1.

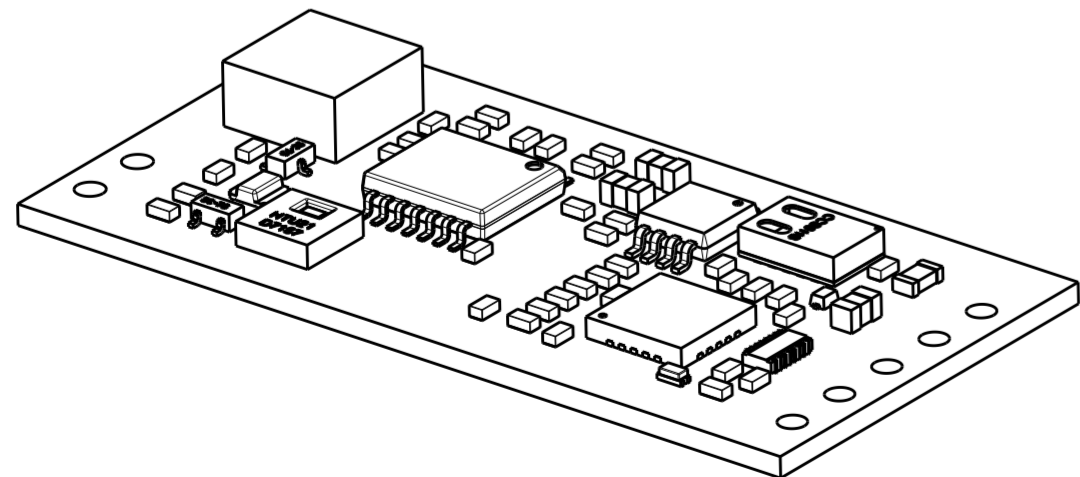
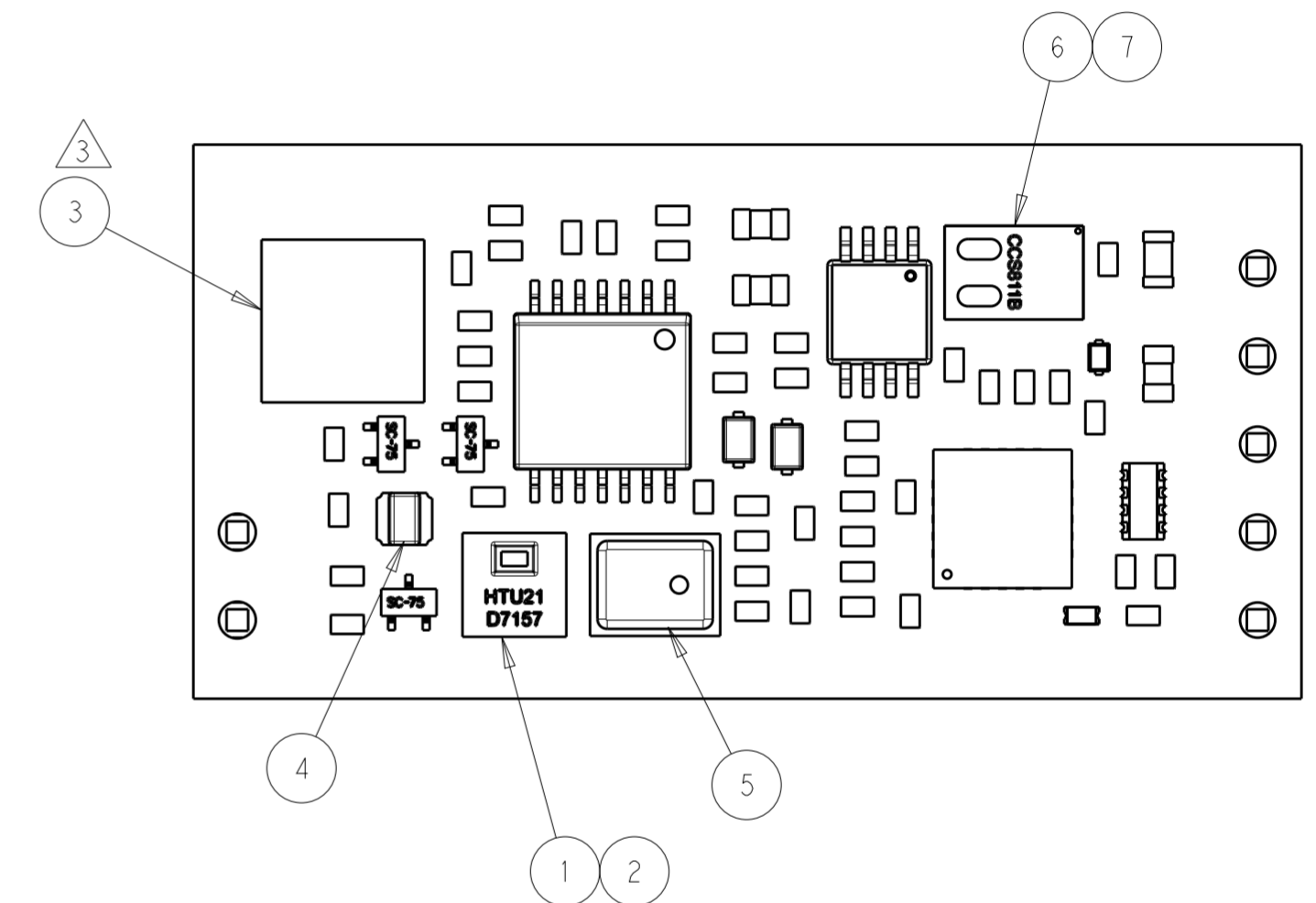


2314291-1 SHOWN

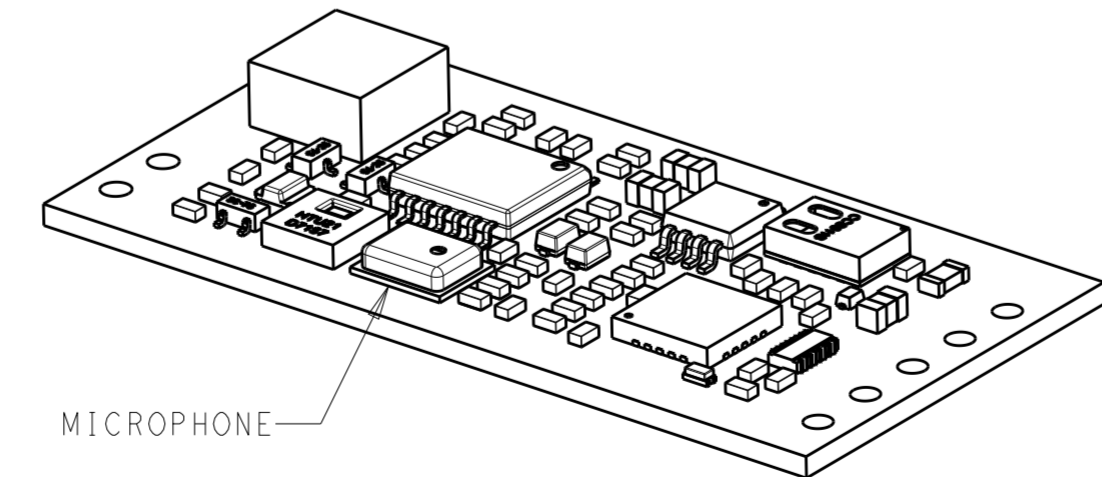


MICROPHONE

2314291-2 SHOWN



1-2314291-1 SHOWN



MICROPHONE

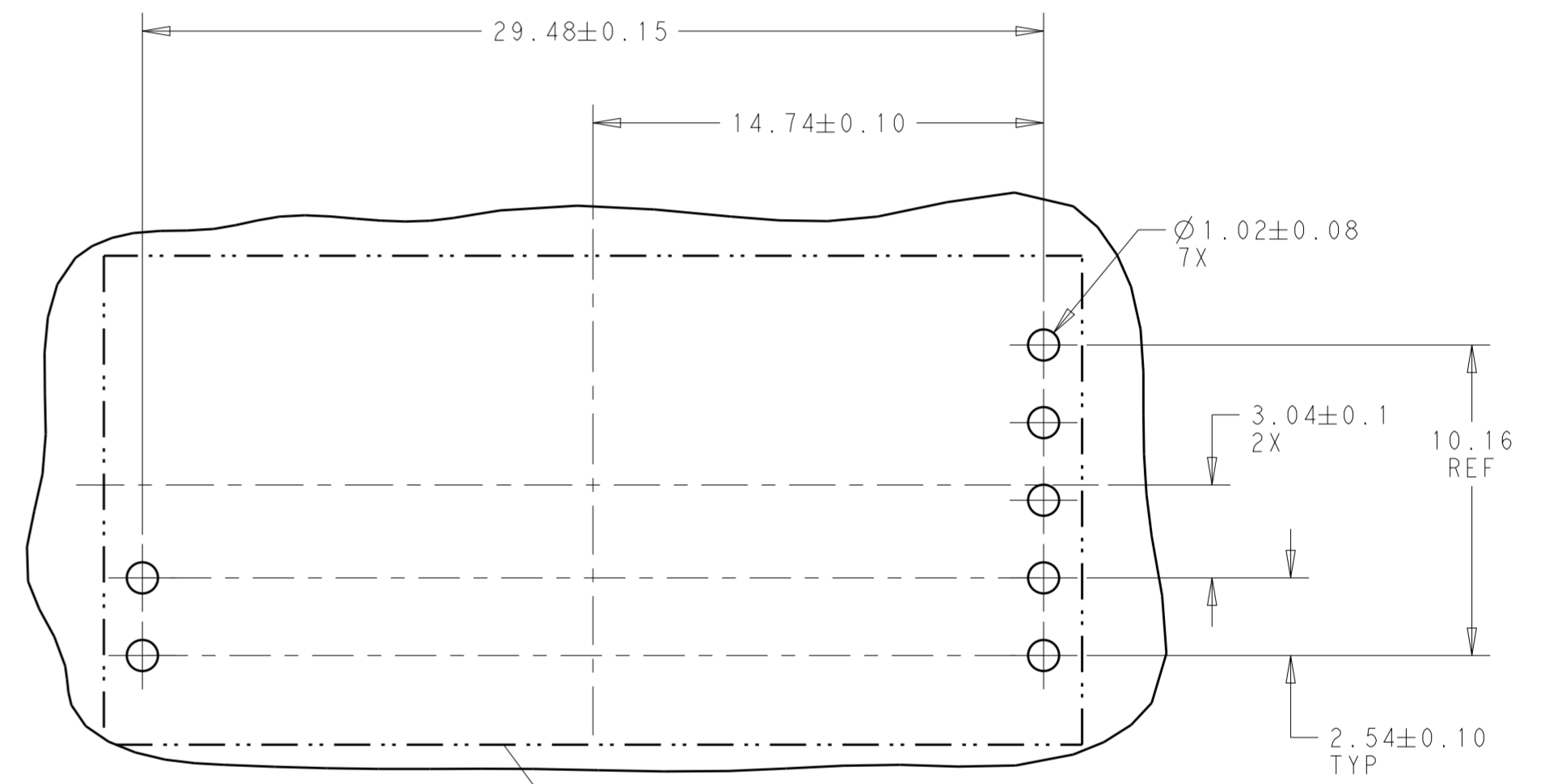
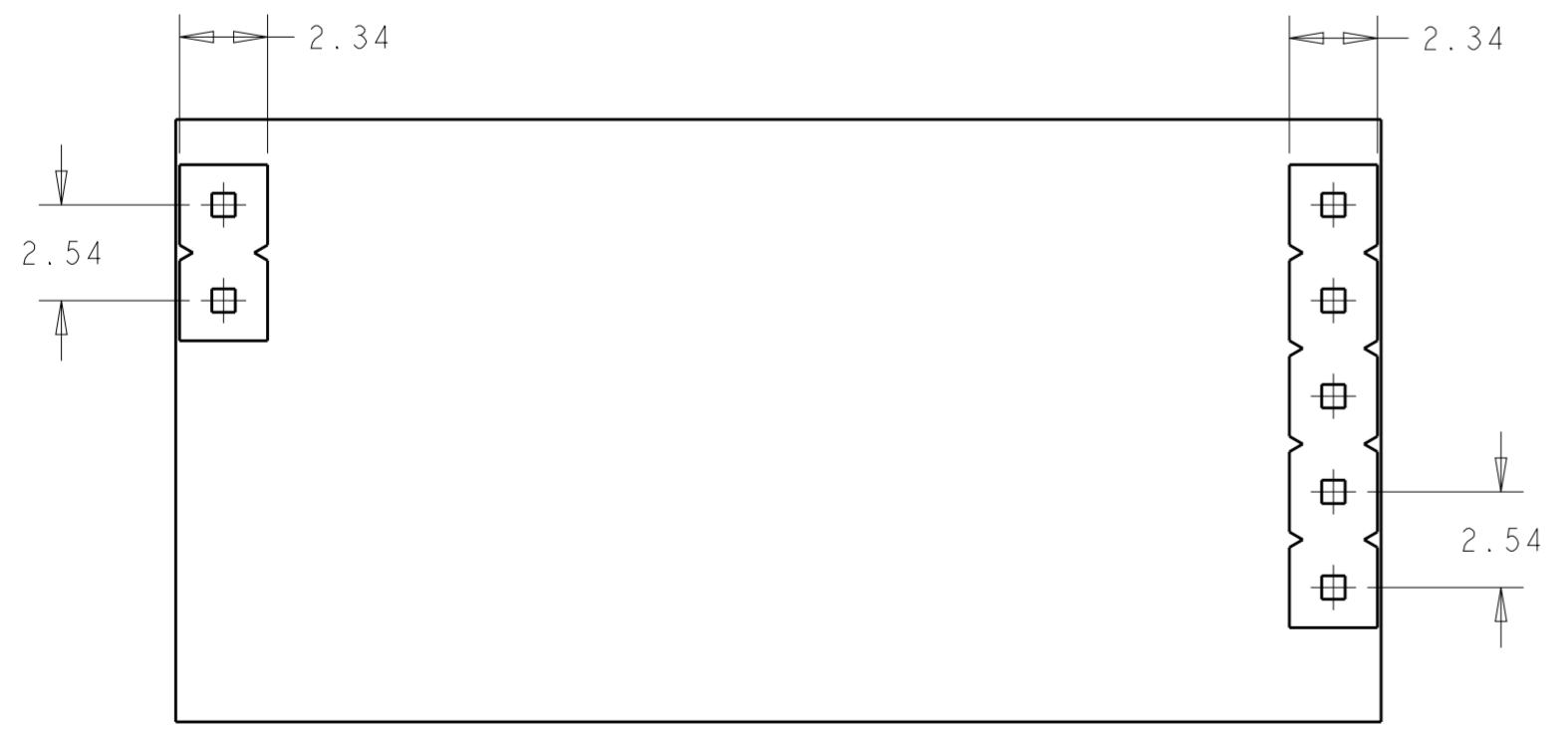
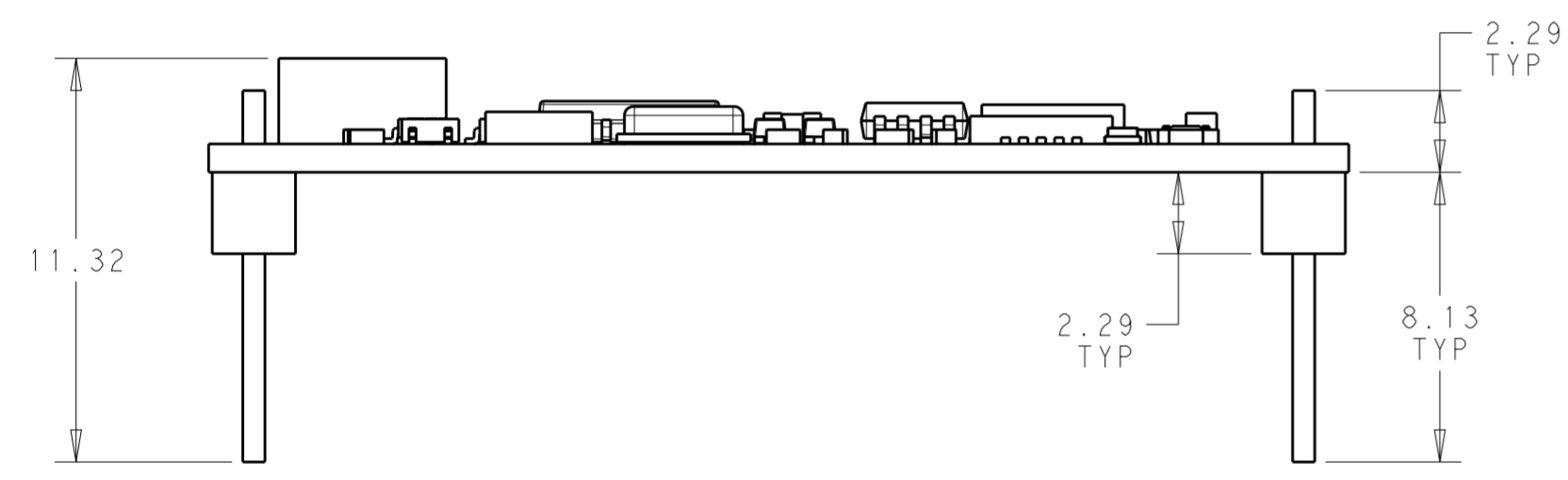
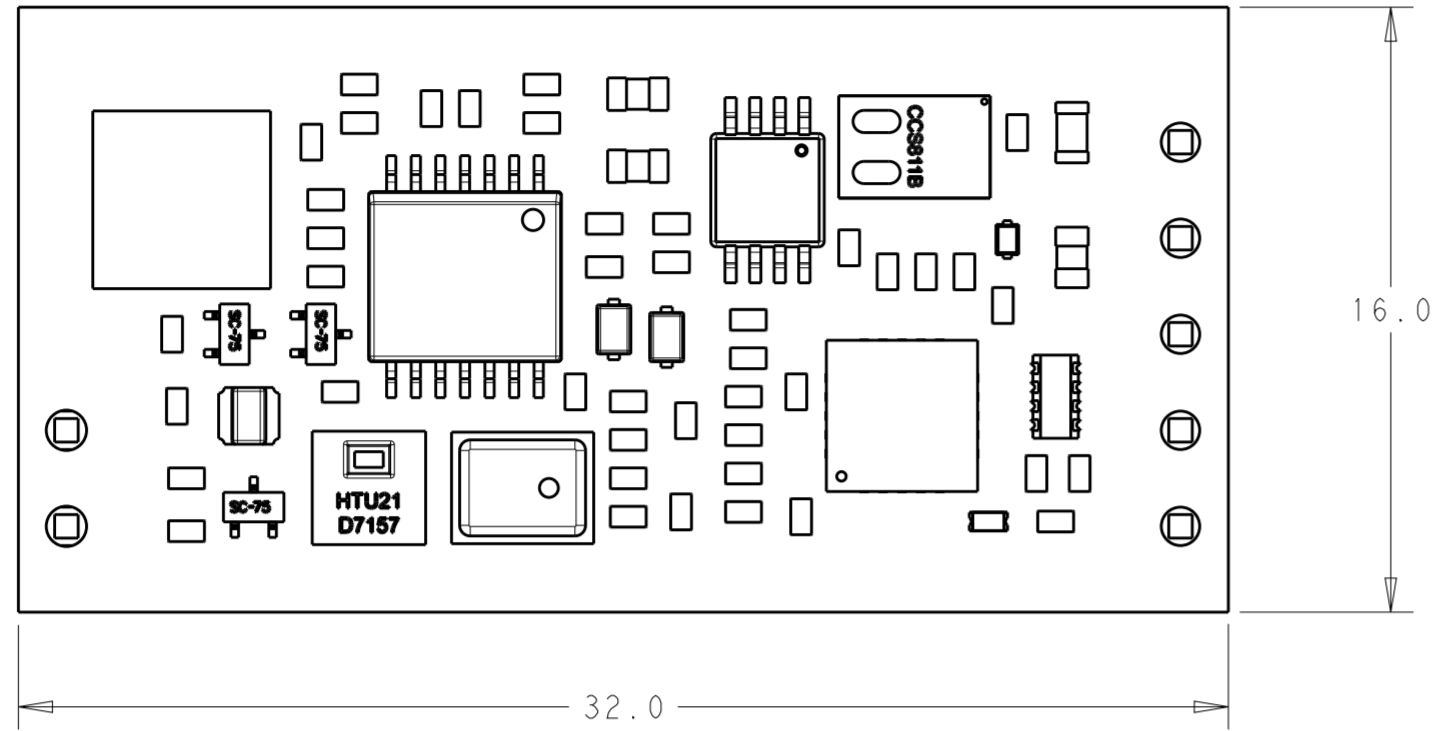
1-2314291-2 SHOWN

w/MICROPHONE, w/Ø HEADER, w/CO2	A	1-2314291-2
w/Ø MICROPHONE, w/Ø HEADER, w/CO2	A	1-2314291-1
w/MICROPHONE, w/HEADER, w/CO2	A	2314291-2
w/Ø MICROPHONE, w/HEADER, w/CO2	A	2314291-1
COMMENTS	REV	PART NO.

THIS DRAWING IS A CONTROLLED DOCUMENT.		DWN J. SHAFFER 10MAR2017	<b>STE</b> TE Connectivity	
		CHK C. GINGRICH 10MAR2017		
DIMENSIONS:	TOLERANCES UNLESS OTHERWISE SPECIFIED:	APVD -	NAME AMBIMATE, MSM4 SENSOR MODULE, THRU HOLE, WITH CO2	
mm	0 PLC ±	PRODUCT SPEC 108-133092	SIZE A2	CAGE CODE -
	1 PLC ±0.4	APPLICATION SPEC 114-133092	DRAWING NO. C-2314291	RESTRICTED TO -
	2 PLC ±0.25	WEIGHT -	SCALE 3:1	SHEET 1 OF 2
	3 PLC ±	CUSTOMER DRAWING	REV A2	
	4 PLC ±			
	ANGLES ±			
	FINISH -			

THIS DRAWING IS UNPUBLISHED. RELEASED FOR PUBLICATION 20  
 © COPYRIGHT 20 BY - ALL RIGHTS RESERVED.

REVISIONS				
P	LTR	DESCRIPTION	DATE	APVD
-	-	SEE SHEET 1	-	-



SUGGESTED PCB LAYOUT

THIS DRAWING IS A CONTROLLED DOCUMENT.		DWN J. SHAFFER 10MAR2017	TE Connectivity	
DIMENSIONS: mm		CHK C. GINGRICH 10MAR2017		
TOLERANCES UNLESS OTHERWISE SPECIFIED:		APVD -	NAME AMBIMATE, MSM4 SENSOR MODULE, THRU HOLE, WITH CO2	
0 PLC ±	1 PLC ±0.4	PRODUCT SPEC 108-133092	SIZE A2	CAGE CODE -
2 PLC ±0.25	3 PLC ±	APPLICATION SPEC 114-133092	DRAWING NO C-2314291	RESTRICTED TO -
4 PLC ±	ANGLES ±	WEIGHT -	SCALE 3:1	SHEET 2 OF 2
FINISH -	FINISH -	CUSTOMER DRAWING	REV A2	

## X-ON Electronics

Largest Supplier of Electrical and Electronic Components

*Click to view similar products for [Multiple Function Sensor Modules](#) category:*

*Click to view products by [TE Connectivity](#) manufacturer:*

Other Similar products are found below :

[AD5T](#) [MM7150-AB1](#) [2314291-2](#) [2314277-2](#) [MOD-MPU9150](#) [5046](#) [RD298HPTX2](#) [ZMW-SENSOR-1](#) [2316851-1](#) [1-2314277-2](#) [1-2314291-1](#) [2316852-1](#) [2331211-3](#) [2316852-2](#) [2316851-2](#) [1-2314277-1](#) [4692](#) [CS-205HSS-A](#) [CS-20SHSS-A](#) [CS-125HSS-A](#) [CS-205SSS-A](#) [CS-125SSS-A](#) [eATVS-4](#) [eATVS-8](#) [MS 1000-IP-20](#) [WISE-2410-NB](#) [WISE-S100-A](#) [EK6-PSX](#) [GE-2099](#) [GE-2098](#) [NGM\\_1](#) [PS1-VOC-10-MOD](#) [PS1-H2-4%-MOD](#) [PS1-CO-10-MOD](#) [PS1-O2-25%-MOD](#) [TRDU5](#) [SKU-7000](#) [BHI260AP](#) [SCD](#) [SHSQP360L](#) [cs-iq-motor-01](#) [DFR0759](#) [DFR0760](#) [KIT0150](#) [SEN0161-V2](#) [SEN0169-V2](#) [SEN0375](#) [SEN0433](#) [SEN0438](#) [SEN0460](#)