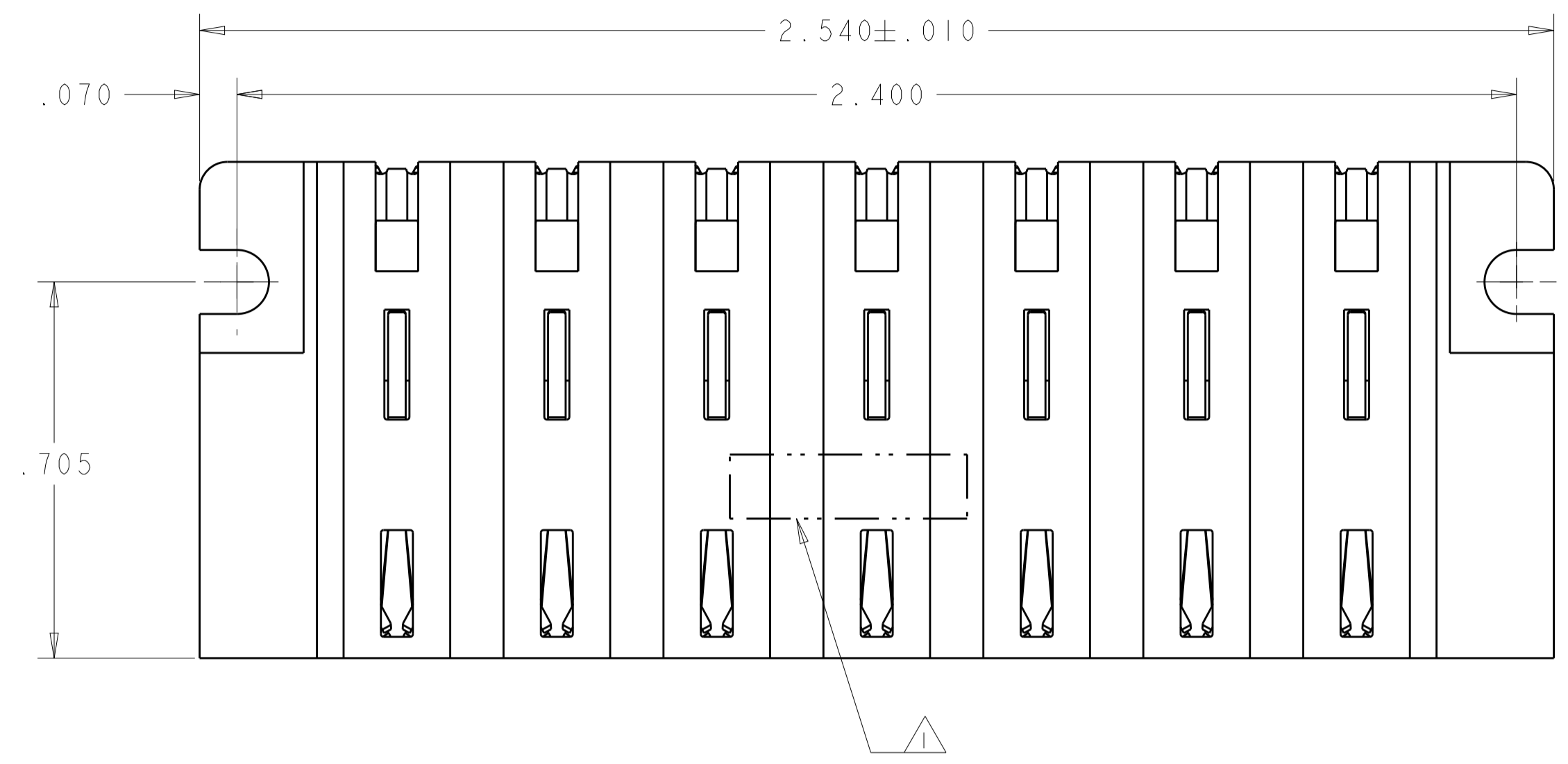
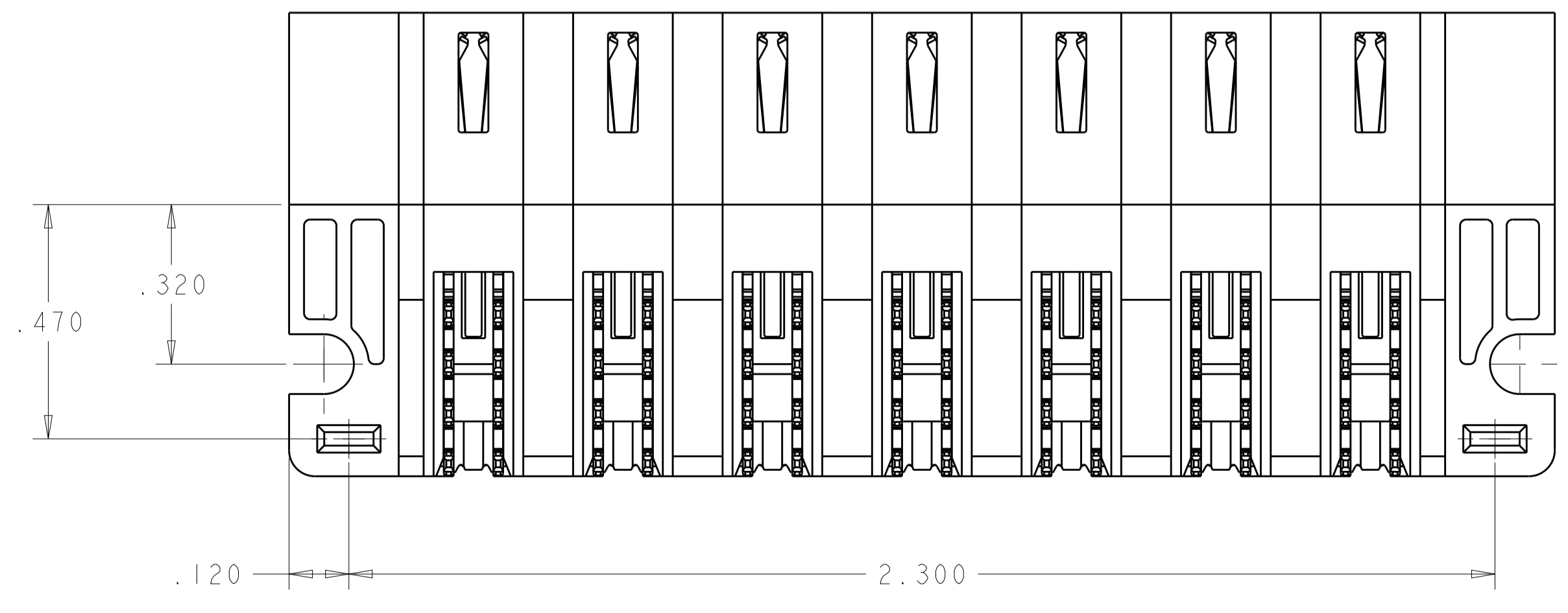
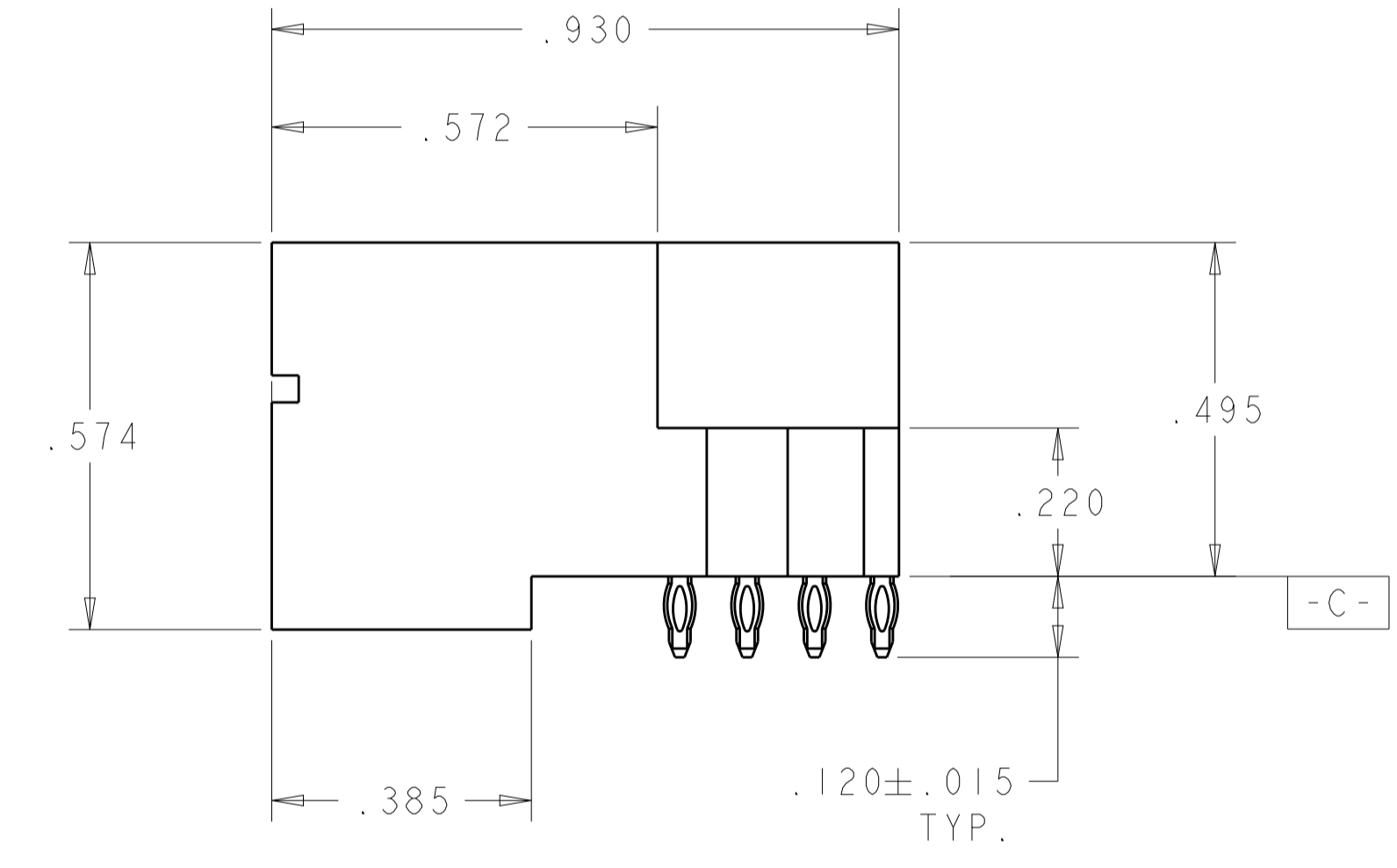
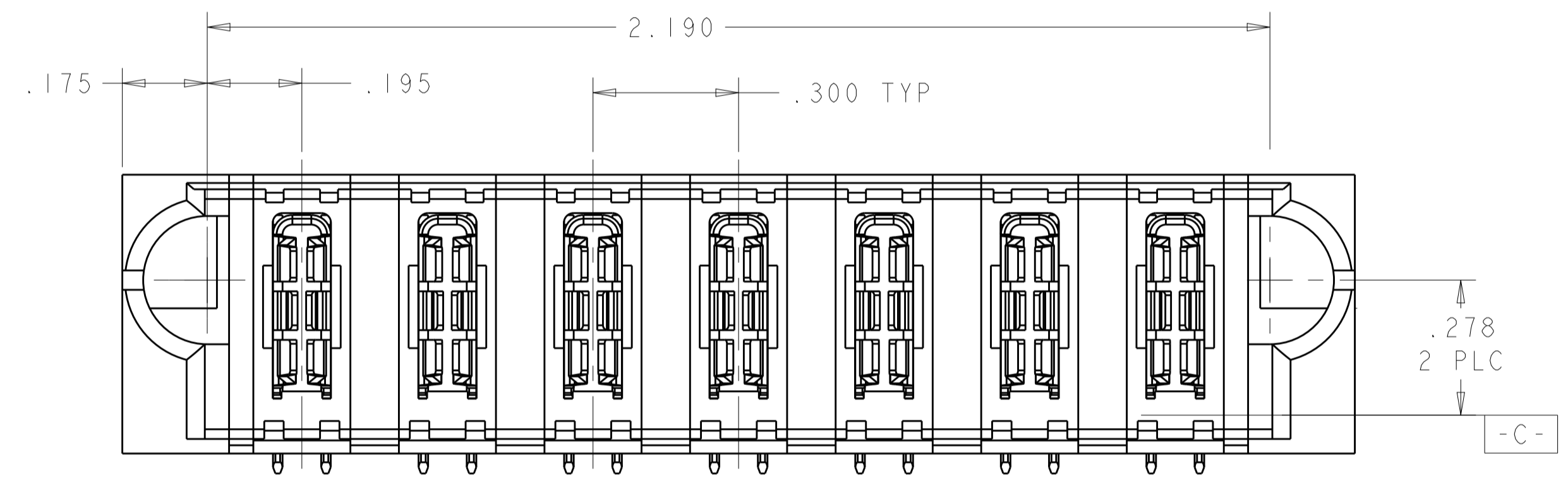


REVISIONS				
P.	LTN	DESCRIPTION	DATE	BY
1		DRAWN	06APR2017	BDY
A		RELEASED	13APR2017	DTH



- △ "TE", PART NUMBER, AND DATECODE TO BE MARKED IN AREA SHOWN. PARTS UNDER 2.00 LONG MAY BE MARKED ON BOTH SIDES.
- △ MATERIAL: HOUSING - GLASS FILLED HIGH TEMP THERMO PLASTIC, BLACK, UL94 V-0  
SIGNAL CONTACT - COPPER ALLOY  
POWER CONTACT - HIGH CONDUCTIVITY COPPER ALLOY
- △ CONTACT PLATING:  
POWER CONTACTS - .000050 MIN Ni UNDER ALL.  
.000050 MIN Au ON CONTACT AREA.  
.000005 MIN Au AT PCB INTERFACE.
- △ MECHANICAL CONNECTOR KEEP OUT ZONE.
- △ DATUM AND BASIC DIMENSIONS ESTABLISHED BY CUSTOMER.
- △ PCB - HOLE DIAMETERS ARE FINISHED HOLE SIZE.
- △ PCB - .0453 ± .0010 DRILLED HOLES PLATED WITH .0003 MIN Sn OVER .001 TO .003 Cu PLATING TO ACHIEVE A .040 DIA HOLE.

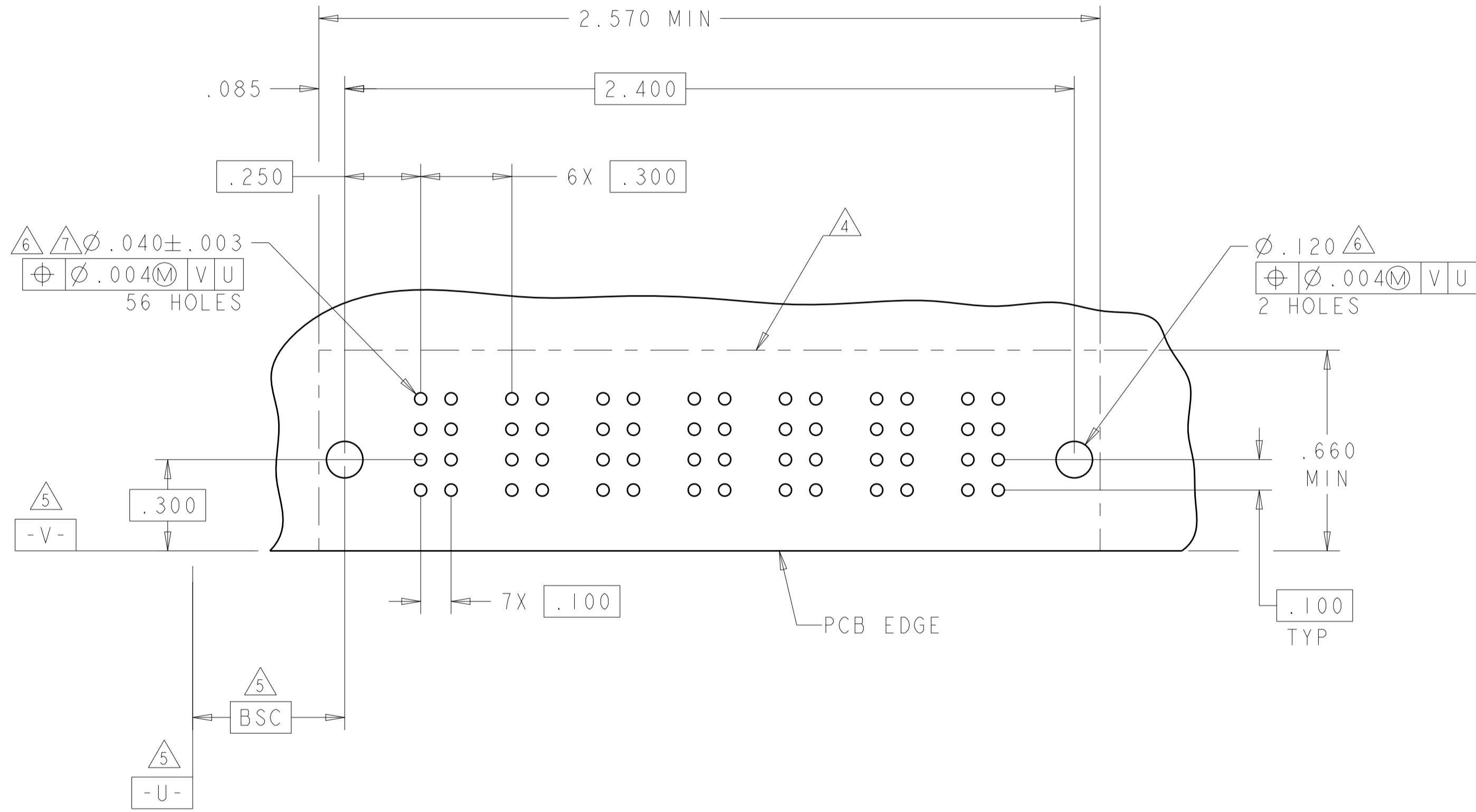


7ACP	2315477-1
DESCRIPTION	PART NUMBER

THIS DRAWING IS A CONTROLLED DOCUMENT.		OWN: Brent D. Yohn 6APR2017	TE Connectivity
DIMENSIONS: INCHES		CHK: Dung Hoang 10APR2017	
TOLERANCES UNLESS OTHERWISE SPECIFIED:		APVD: Dung Hoang 10APR2017	NAME: RIGHT ANGLE HEADER W/ LP CONTACTS AND SHORT END MODULES MULTI-BEAM XLE SIZE: CAGE CODE DRAWING NO A100779C=2314577
0 PLC ±. 1 PLC ±.01 2 PLC ±.01 3 PLC ±.005 4 PLC ±.0020 ANGLES ±.020		PRODUCT SPEC: 108-2292 APPLICATION SPEC: 114-13251 WEIGHT: - CUSTOMER DRAWING	
MATERIAL: -		FINISH: -	RESTRICTED TO: -
SCALE: 2:1		SHEET: 1 OF 2	REV: A

REVISIONS				
P.	LTN	DESCRIPTION	DATE	APVD
-	-	SEE SHEET 1	-	-

PART NUMBER	ROWS	POWER						
		P1	P2	P3	P4	P5	P6	P7
2314577-1	D C B A	TT	TT	TT	TT	TT	TT	TT
7ACP								



.120 PRESS FIT POWER CON	TT
DESCRIPTION	IDENTIFIER

THIS DRAWING IS A CONTROLLED DOCUMENT.		DWN: Brent D. Yohn 6APR2017 CHK: Dung Hoang 1APR2017 APVD: Dung Hoang 10APR2017	TE Connectivity
DIMENSIONS: INCHES 	TOLERANCES UNLESS OTHERWISE SPECIFIED: 0 PLC ±. 1 PLC ±.01 2 PLC ±.01 3 PLC ±.005 4 PLC ±.0020 ANGLES ±2°	NAME: RIGHT ANGLE HEADER W/ LP CONTACTS AND SHORT END MODULES MULTI-BEAM XLE PRODUCT SPEC: 108-2292 APPLICATION SPEC: 114-13251 SIZE: 114-13251 WEIGHT: - FINISH: -	
MATERIAL: -	FINISH: -	CUSTOMER DRAWING SCALE: 2:1 SHEET: 2 OF 2 REV: A	A100779C=2314577

## X-ON Electronics

Largest Supplier of Electrical and Electronic Components

*Click to view similar products for [Power to the Board](#) category:*

*Click to view products by [TE Connectivity](#) manufacturer:*

Other Similar products are found below :

[6450171-4](#) [6450552-7](#) [6600323-8](#) [6643429-1](#) [6646040-2](#) [6651939-1](#) [6766604-1](#) [120959-1](#) [1393557-2](#) [1393532-2](#) [1393532-3](#) [1393532-4](#)  
[1393557-1](#) [1600812-5](#) [1-6450861-2](#) [1744132-7](#) [1761122-1](#) [1766250-1](#) [1892109-1](#) [2-6450860-5](#) [2-6450870-0](#) [1-6450161-4](#) [1-6450850-6](#) [1-](#)  
[6450869-6](#) [1645526-2](#) [1-6600130-0](#) [2005243-2](#) [377-0020-11130](#) [TE34-12-16P-F0](#) [51700-10201602AALF](#) [5-6450830-6](#) [5646956-4](#) [377-](#)  
[0080-11131A](#) [4-6450830-9](#) [4-6600333-3](#) [10125416-4050LF](#) [10130248-005LF](#) [6600320-3](#) [3-6450860-5](#) [1888123-2](#) [6450166-1](#) [6643978-1](#)  
[6766605-1](#) [701-15-02109](#) [N11444](#) [6651938-1](#) [6450810-7](#) [46437-1112](#) [1-1589677-8](#) [5646956-5](#)