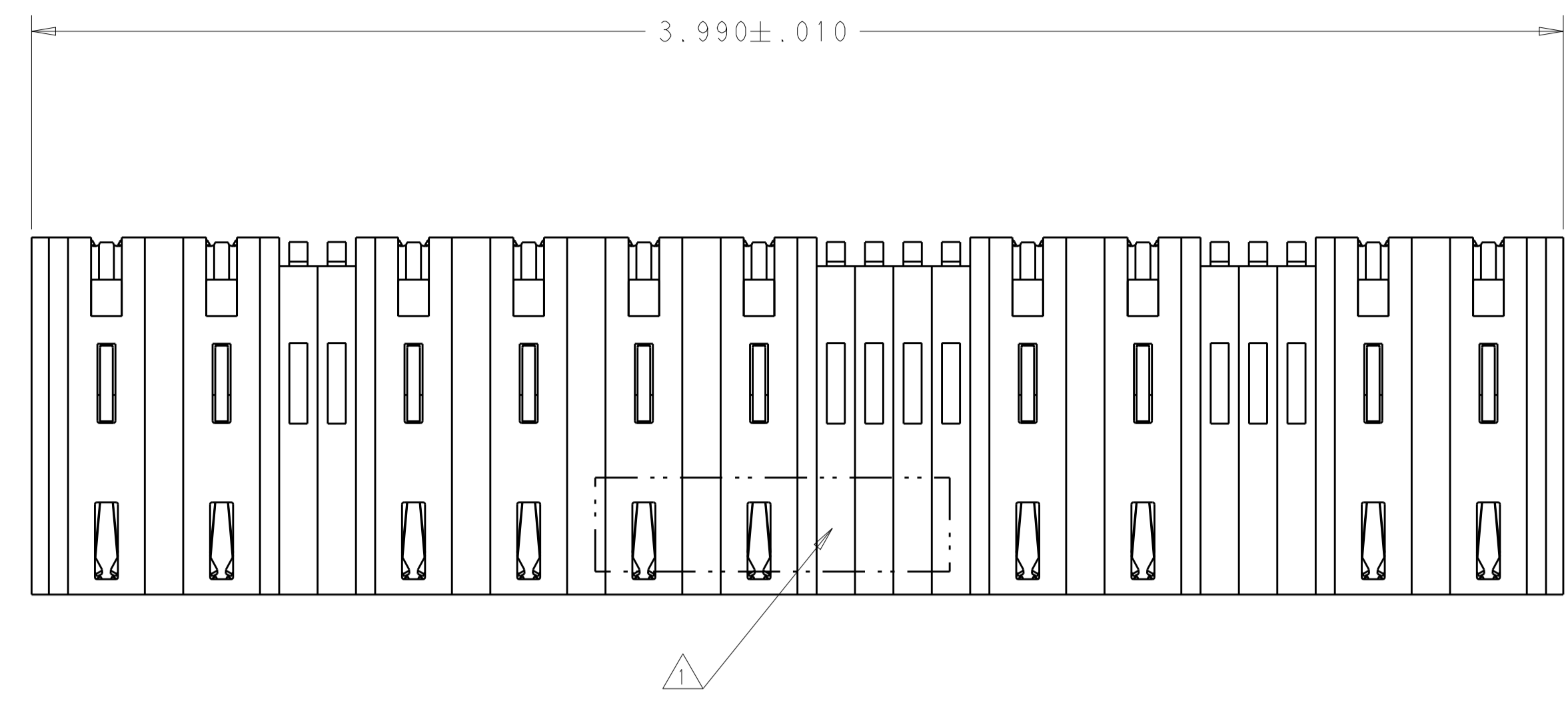
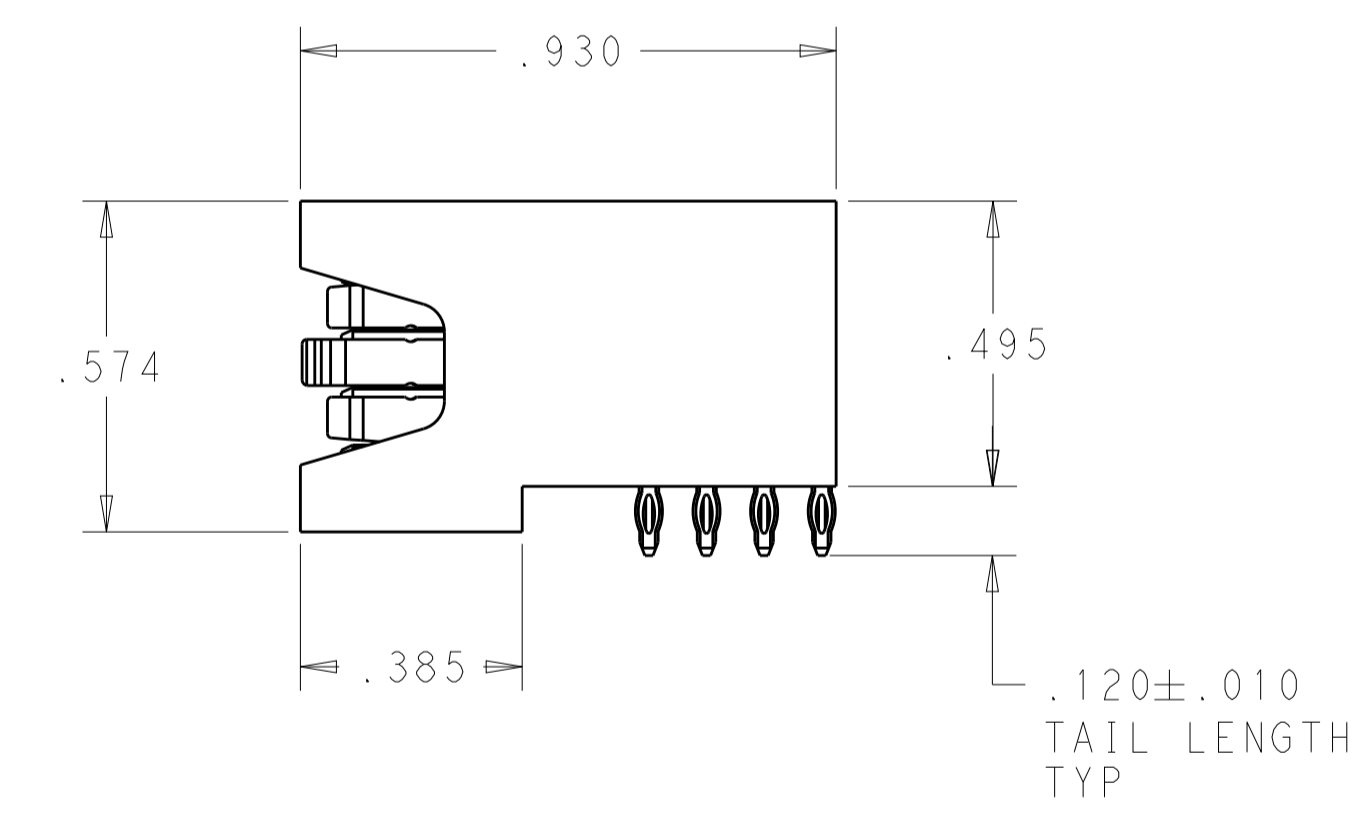
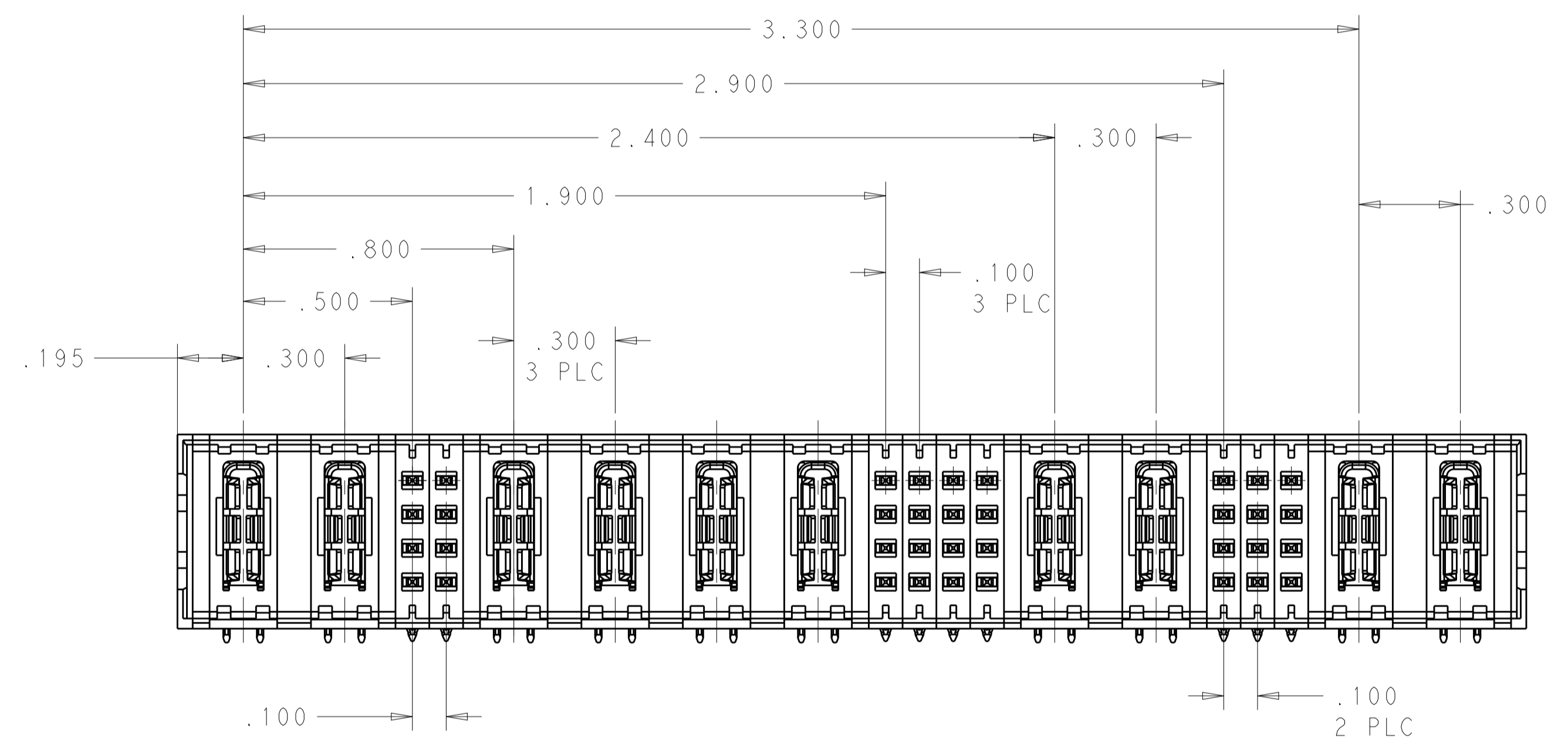


REVISIONS				
P.	LTN	DESCRIPTION	DATE	DWN APVD
1		DRAWN	7APR2017	BDY DTH
A		RELEASED	13APR2017	BY DTH



- ⚠ "TE", TE PART NUMBER, AND DATE CODE TO BE MARKED IN AREA SHOWN. PARTS UNDER 2.00 LONG MAY BE MARKED ON BOTH SIDES.
- ⚠ MATERIAL: HOUSING - GLASS FILLED HIGH TEMP THERMO PLASTIC, BLACK, UL94 V-0
POWER CONTACT - HIGH CONDUCTIVITY COPPER ALLOY
SIGNAL CONTACT - HIGH CONDUCTIVITY COPPER ALLOY
LOW POWER CONTACT - HIGH CONDUCTIVITY COPPER ALLOY
- ⚠ CONTACT PLATING: SIGNAL CONTACTS - .000050 MIN Ni UNDER ALL
.000050 MIN Au ON CONTACT AREA
.000005 MIN Au AT PCB INTERFACE
POWER CONTACTS - .000050 MIN Ni UNDER ALL
.000050 MIN Au ON CONTACT AREA
.000005 MIN Au AT PCB INTERFACE
LOW POWER CONTACTS - .000050 MIN Ni UNDER ALL
.000050 MIN Au ON CONTACT AREA
.000005 MIN Au AT PCB INTERFACE
- ⚠ MECHANICAL CONNECTOR KEEP OUT ZONE.
- ⚠ DATUM AND BASIC DIMENSIONS ESTABLISHED BY CUSTOMER.
- ⚠ PCB - HOLE DIAMETERS ARE FINISHED HOLE SIZE.
- ⚠ PCB - .0453 ± .0010 DRILLED HOLES PLATED WITH .0003 MIN Sn OVER .001 TO .003 Cu PLATING TO ACHIEVE A .040 DIA HOLE.



SEE SHEETS 3 AND 4	2ACP+1LP+32S+3HDP+1LP+1HDP	2314578-2
SEE SHEETS 1 AND 2	2ACP+8S+4ACP+16S+2ACP+12S+2ACP	2314578-1
REMARKS	DESCRIPTION	PART NUMBER

2ACP+8S+4ACP+16S+2ACP+12S+2ACP	2314578-1
DESCRIPTION	PART NUMBER

THIS DRAWING IS A CONTROLLED DOCUMENT.

DWN: Brent D. Yohn 7APR2017
CHK: Dung Hoang 10APR2017
APVD: Dung Hoang 10APR2017

TE Connectivity

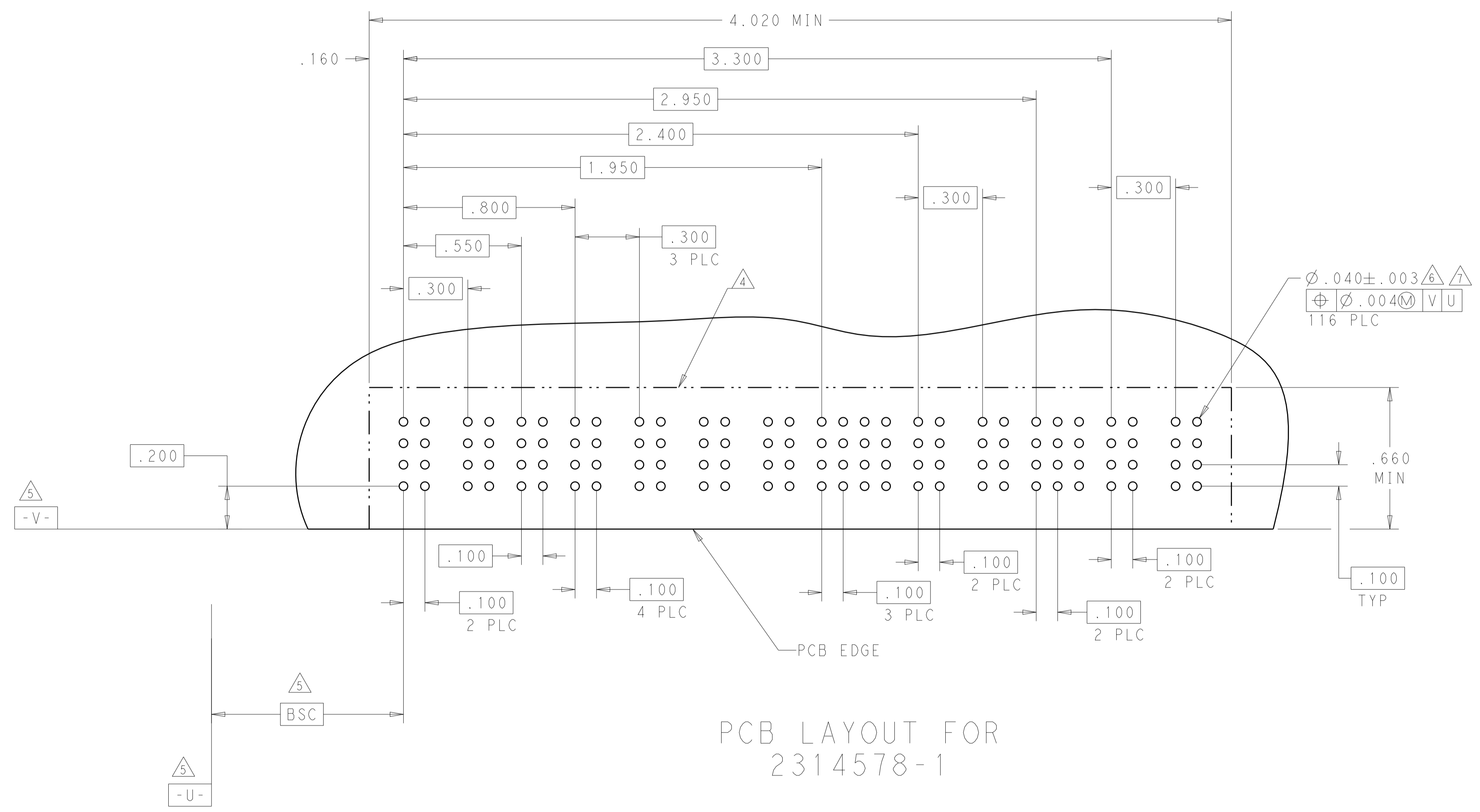
RIGHT ANGLE HEADER ASSEMBLY WITH GUIDELESS MULTI-BEAM XLE

SIZE: 108-2292
APPLICATION SPEC: 114-13251
WEIGHT: -
CUSTOMER DRAWING

SCALE: 1:4 SHEET 1 OF 4 REV A

REVISIONS				
P.	LTN	DESCRIPTION	DATE	APVD
-	-	SEE SHEET 1	-	-

PART NUMBER	ROWS	POWER		SIGNAL		POWER				SIGNAL				POWER		SIGNAL			POWER	
		P1	P2	1	2	P3	P4	P5	P6	3	4	5	6	P7	P8	7	8	9	P9	P10
2314578-1	D C B A	TT	TT	Z5	Z5	TT	TT	TT	TT	Z5	Z5	Z5	Z5	TT	TT	Z5	Z5	Z5	TT	TT
				Y5	Y5					Y5	Y5	Y5	Y5			Y5	Y5	Y5		
				R5	R5					R5	R5	R5	R5			R5	R5	R5		
				O5	O5					O5	O5	O5	O5			O5	O5	O5		
2ACP+8S+4ACP+16S+2ACP+12S+2ACP																				



DESCRIPTION	IDENTIFIER
.120 SIGNAL PRESS FIT CON, ROW A,STD	O5
.120 SIGNAL PRESS FIT CON, ROW B,STD	R5
.120 SIGNAL PRESS FIT CON, ROW C,STD	Y5
.120 SIGNAL PRESS FIT CON, ROW D,STD	Z5
.120 PRESS FIT POWER CON	TT

THIS DRAWING IS A CONTROLLED DOCUMENT.

OWN: Brent D. Yohn 10APR2017
 CHK: Dung Hoang 10APR2017
 APVD: Dung Hoang 10APR2017

STE TE Connectivity

NAME: RIGHT ANGLE HEADER ASSEMBLY WITH GUIDELESS MULTI-BEAM XLE

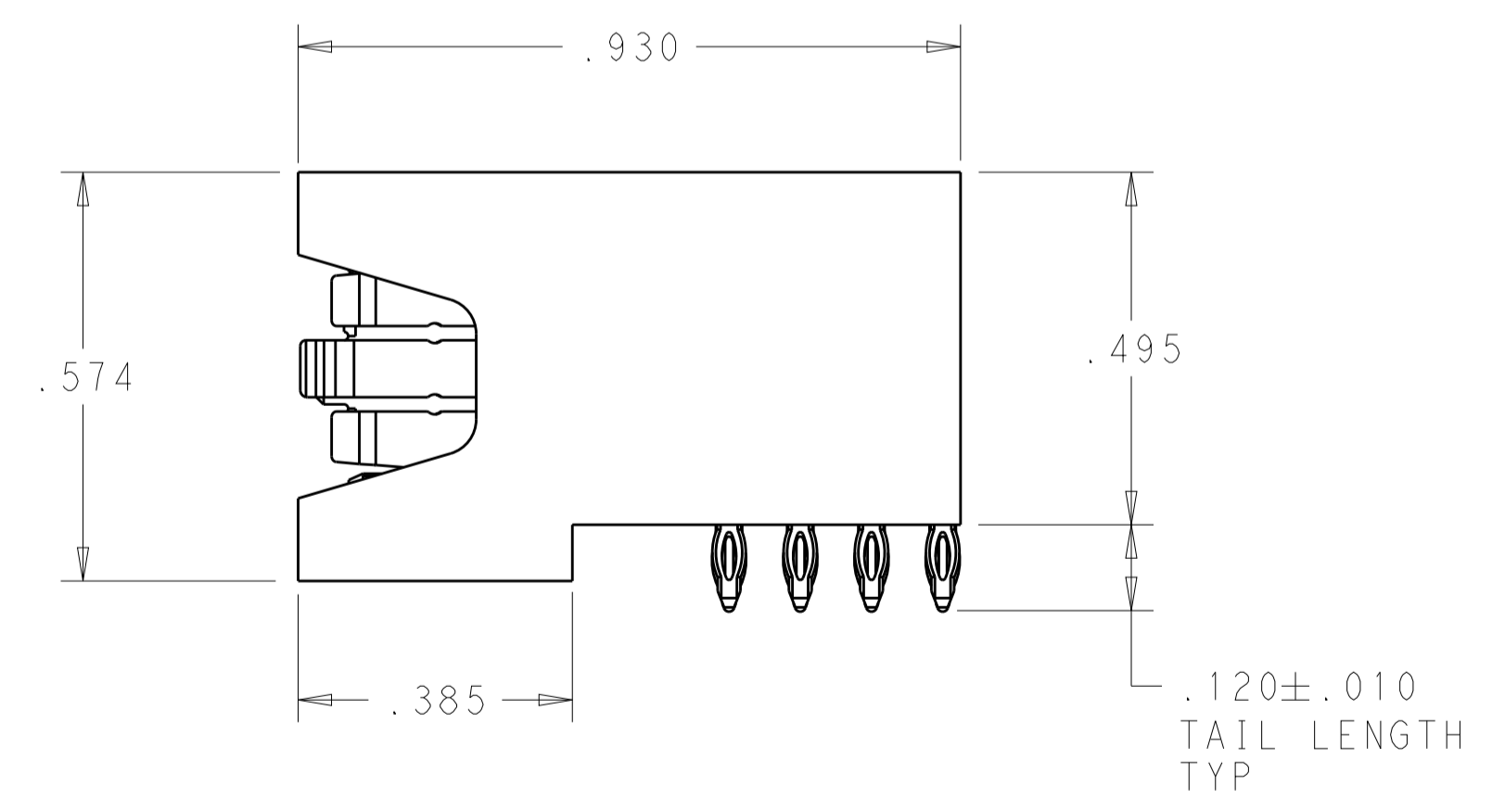
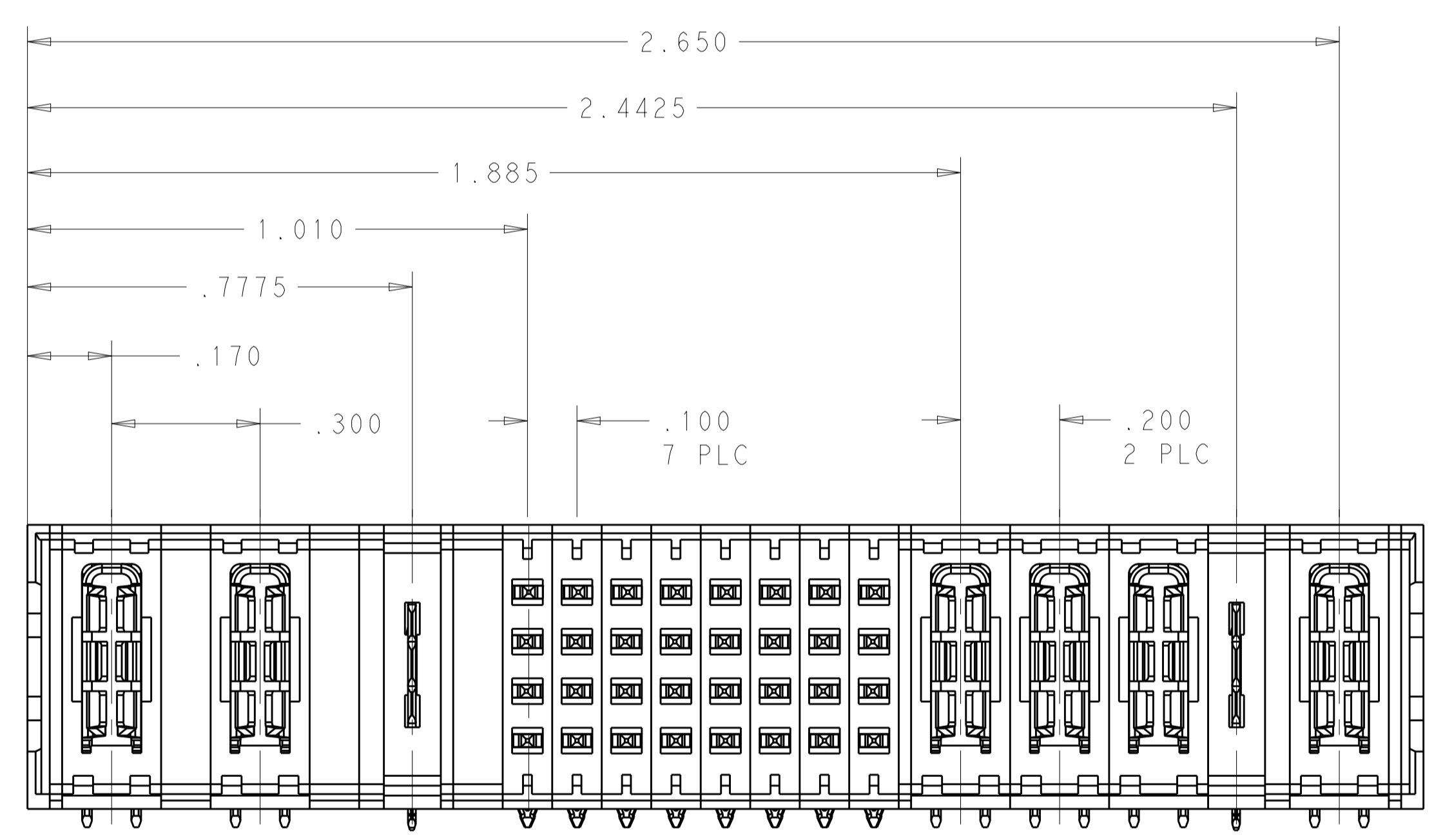
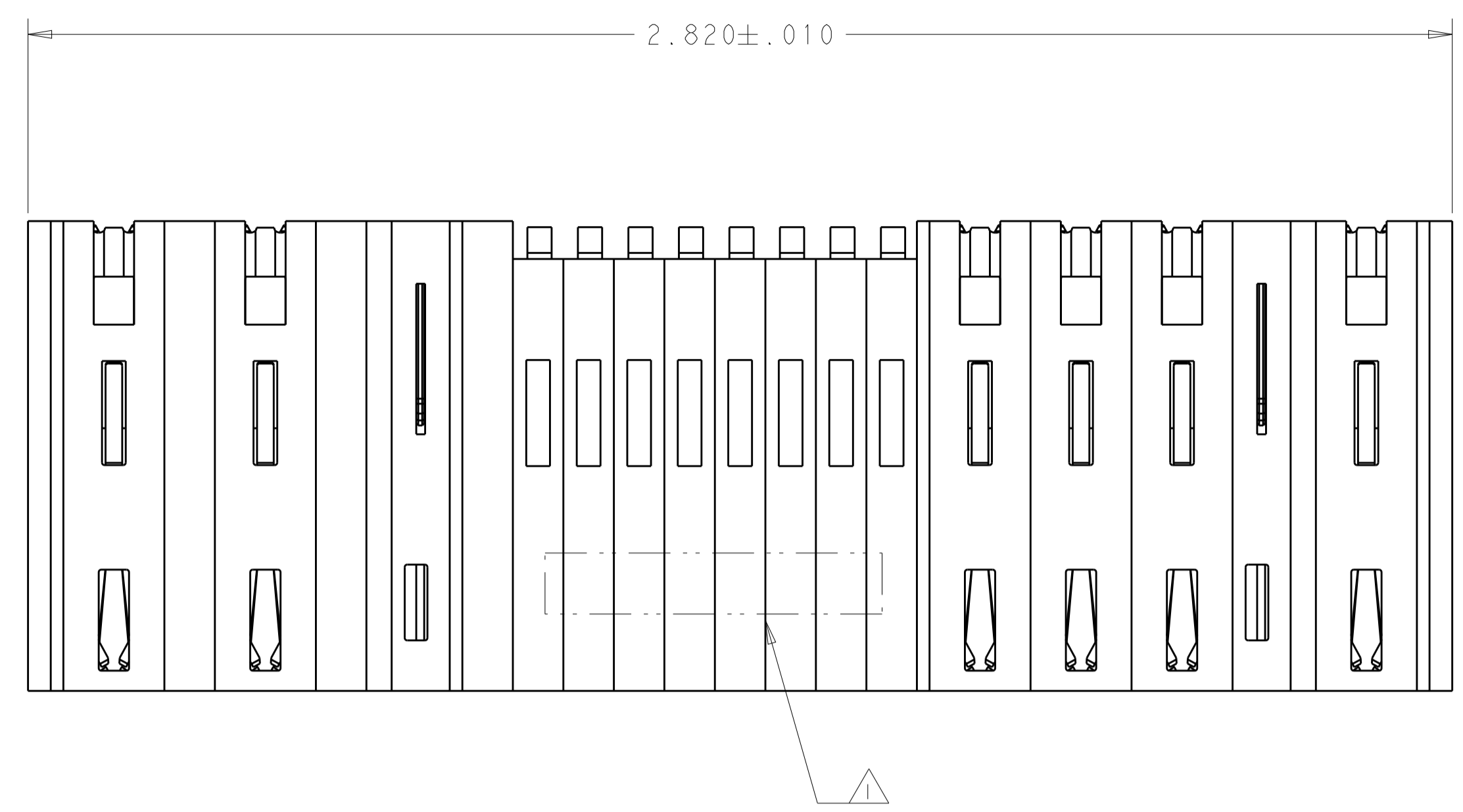
PRODUCT SPEC: 108-2292
 APPLICATION SPEC: 114-13251

SIZE: A1 00779 C=2314578
 CAGE CODE: 114-13251
 DRAWING NO: 2314578

MATERIAL: - FINISH: - WEIGHT: -
 CUSTOMER DRAWING

SCALE: 1:4 SHEET 2 OF 4 REV A

REVISIONS				
P.	LTN	DESCRIPTION	DATE	APVD
-	-	SEE SHEET 1	-	-



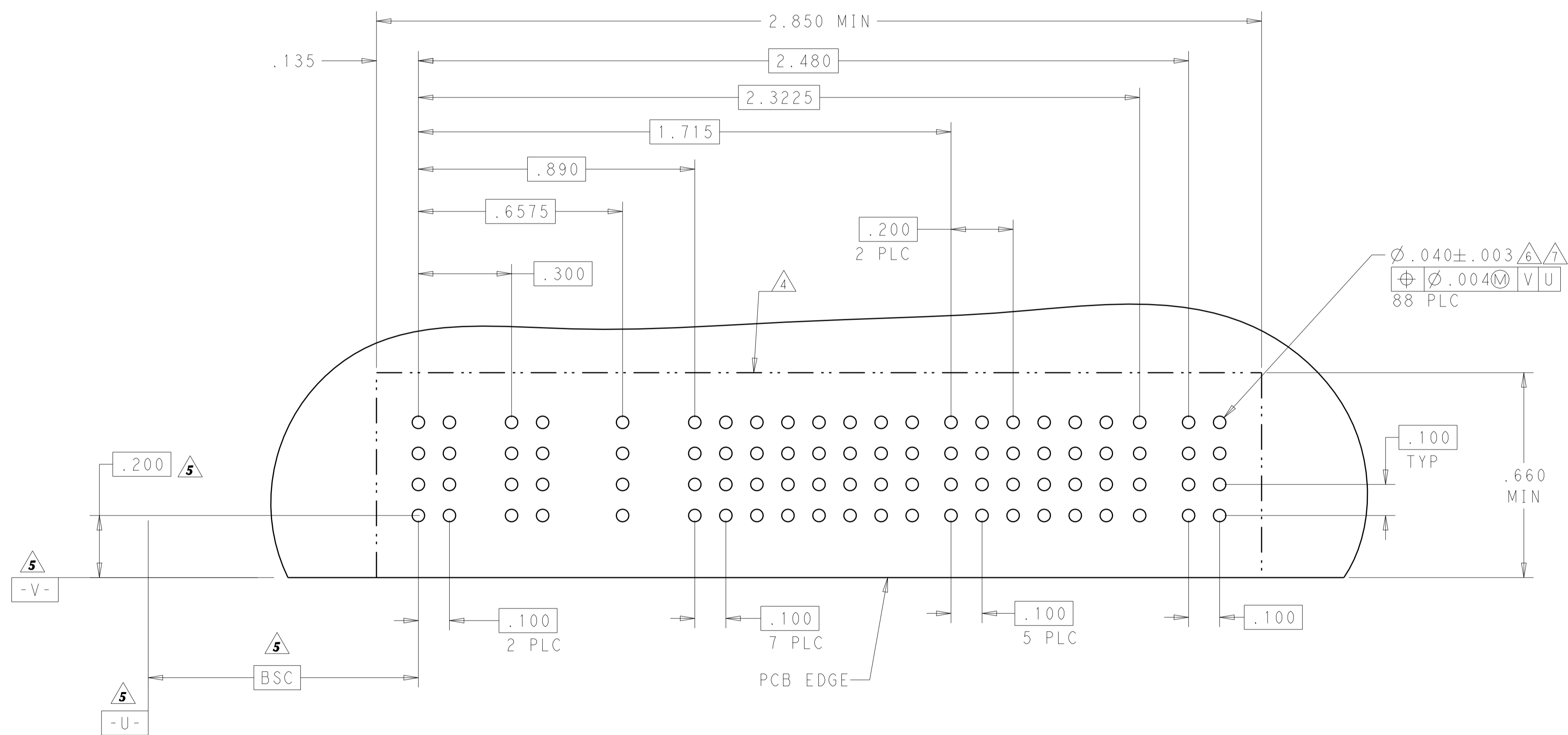
2ACP + 1LP + 32S + 3HDP + 1LP + 1HDP	2314578-2
DESCRIPTION	PART NUMBER

THIS DRAWING IS A CONTROLLED DOCUMENT.		DWN: TAPR2017 Brent D. Yohn CHK: 10APR2017 Dung Hoang APVD: 10APR2017 Dung Hoang	TE Connectivity
DIMENSIONS: INCHES	TOLERANCES UNLESS OTHERWISE SPECIFIED: 0 PLC ±. 1 PLC ±. 2 PLC ±. 3 PLC ±.005 4 PLC ±.0020 ANGLES ±.2	NAME: RIGHT ANGLE HEADER ASSEMBLY WITH GUIDELESS MULTI-BEAM XLE PRODUCT SPEC: 108-2292 APPLICATION SPEC: 114-13251 WEIGHT: - CUSTOMER DRAWING	
MATERIAL: -		FINISH: -	SIZE: A1 CAGE CODE: 00779 DRAWING NO: 2314578 SCALE: 1:4 SHEET: 3 OF 4 REV: A

REVISIONS				
P.	LTN.	DESCRIPTION	DATE	APVD.
-	-	SEE SHEET 1	-	-

PART NUMBER	ROWS	POWER			SIGNAL								POWER					
		P1	P2	LP1	1	2	3	4	5	6	7	8	P3	P4	P5	LP2	P6	
2314578-2	D				Z5	Z5	Z5	Z5	Z5	Z5	Z5	Z5						
	C				Y5	Y5	Y5	Y5	Y5	Y5	Y5	Y5	TT	TT	TT	LT	TT	
	B	TT	TT	LT	R5	R5	R5	R5	R5	R5	R5	R5						
	A				O5	O5	O5	O5	O5	O5	O5	O1						

2ACP+1LP+32S+3HDP+1LP+1HDP



PCB LAYOUT FOR
2314578-2

DESCRIPTION	IDENTIFIER
HOLD DOWN	HD
.120 SIGNAL PRESS FIT CON, ROW A,MLBF	O1
.120 SIGNAL PRESS FIT CON, ROW A,STD	O5
.120 SIGNAL PRESS FIT CON, ROW B,STD	R5
.120 SIGNAL PRESS FIT CON, ROW C,STD	Y5
.120 SIGNAL PRESS FIT CON, ROW D,STD	Z5
.120 PRESS FIT LOWER POWER CON,STD	LT
.120 PRESS FIT POWER CON	TT

THIS DRAWING IS A CONTROLLED DOCUMENT.

APVD: **Dung Hoang** 10APR2017
 CHK: **Dung Hoang** 10APR2017
 DWN: **Brent D. Yahn** 10APR2017

TE Connectivity

NAME: RIGHT ANGLE HEADER ASSEMBLY WITH GUIDELESS MULTI-BEAM XLE

PRODUCT SPEC: 108-2292
 APPLICATION SPEC: 114-13251

SIZE: A100779 C=2314578
 WEIGHT: -
 MATERIAL: -
 FINISH: -

SCALE: 1:4 SHEET 4 OF 4 REV A

X-ON Electronics

Largest Supplier of Electrical and Electronic Components

Click to view similar products for [Power to the Board](#) category:

Click to view products by [TE Connectivity](#) manufacturer:

Other Similar products are found below :

[6450171-4](#) [6450552-7](#) [6600323-8](#) [6643429-1](#) [6646040-2](#) [6651939-1](#) [6766604-1](#) [120959-1](#) [1393557-2](#) [1393532-2](#) [1393532-3](#) [1393532-4](#)
[1393557-1](#) [1600812-5](#) [1-6450861-2](#) [1744132-7](#) [1761122-1](#) [1766250-1](#) [1892109-1](#) [2-6450860-5](#) [2-6450870-0](#) [1-6450161-4](#) [1-6450850-6](#) [1-6450869-6](#) [1645526-2](#) [1-6600130-0](#) [2005243-2](#) [377-0020-11130](#) [TE34-12-16P-F0](#) [5-6450830-6](#) [5646956-4](#) [377-0080-11131A](#) [4-6450830-9](#)
[4-6600333-3](#) [10125416-4050LF](#) [6600320-3](#) [3-6450860-5](#) [1888123-2](#) [6450166-1](#) [6643978-1](#) [6766605-1](#) [701-15-02109](#) [N11444](#) [6651938-1](#)
[6450810-7](#) [46437-1112](#) [1-1589677-8](#) [5646956-5](#) [6450813-2](#) [6450129-4](#)