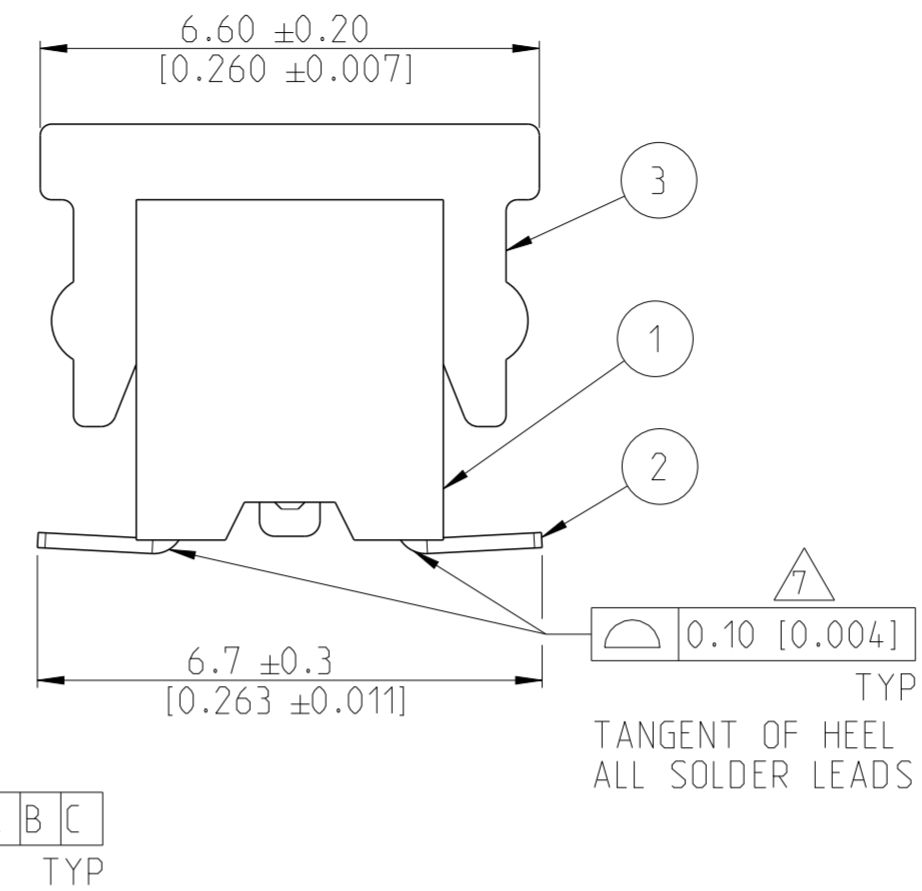
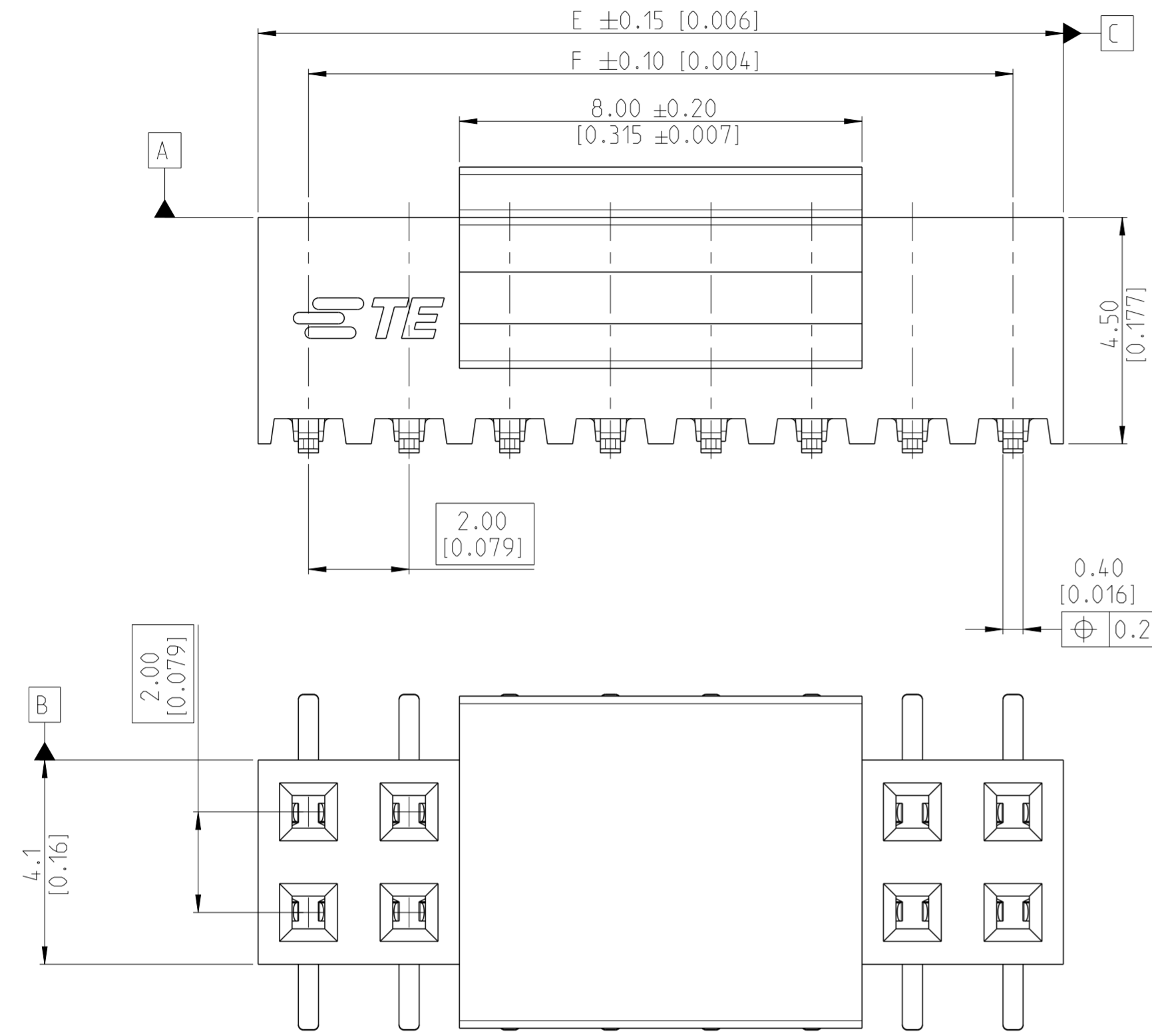


THIS DRAWING IS UNPUBLISHED. RELEASED FOR PUBLICATION 20  
 © COPYRIGHT 20 BY - ALL RIGHTS RESERVED.

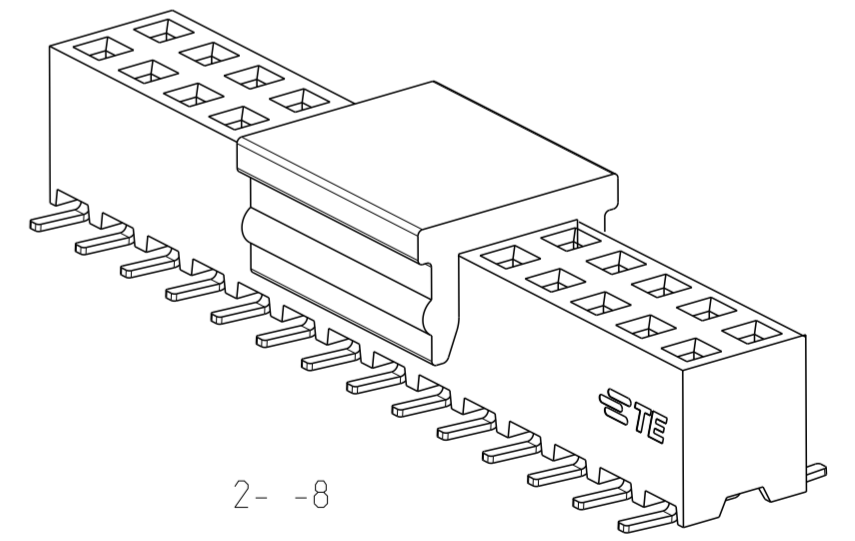
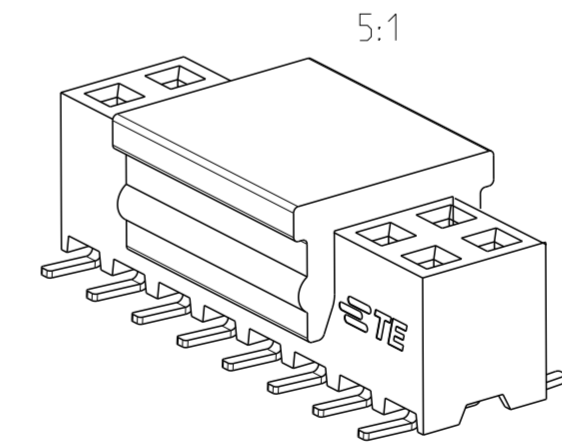
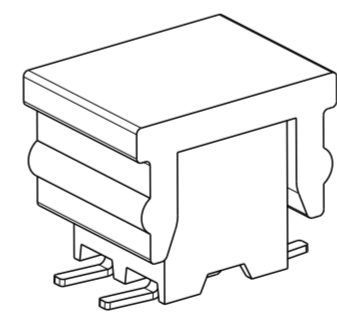
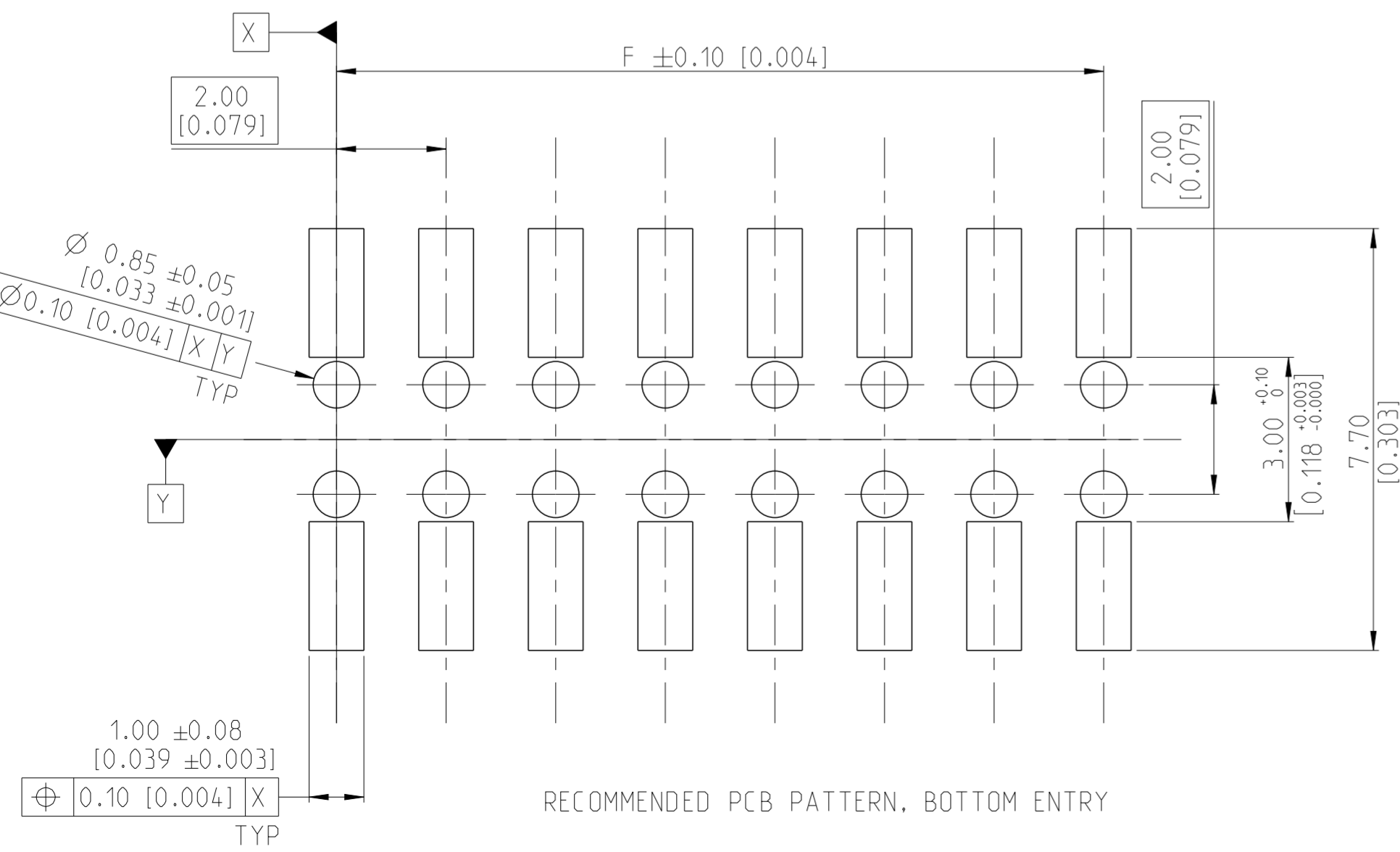
| REVISIONS |     |  |           |       |
|-----------|-----|--|-----------|-------|
| P         | LTR | DESCRIPTION                                | DATE      | APVD  |
| A         |     | X-2307819-X RELEASED FOR PRODUCTION        | 10JUL2019 | AY PS |
| A1        |     | RELEASE GOLD PLATED VERSIONS TO PRODUCTION | 04SEP2019 | AY PS |
| A2        |     | RELEASE TIN PLATED VERSIONS TO PRODUCTION  | 14APR2020 | AY PS |



| DESCRIPTION | ITEM |
|-------------|------|
| P&P CAP     | 3    |
| CONTACT     | 2    |
| HOUSING     | 1    |

- NOTES:
- 1 MATERIAL:  
HOUSING & CAP: LCP, UL94 V0, BLACK  
CONTACT: PHOSPHOR BRONZE, 0.20mm THICK.
  - 2 ALL OVER 3-5 μm TIN OVER MIN 1.27 μm NICKEL UNDERPLATE
  - 3 CONTACT AREA: MIN 0.1 μm GOLD  
SOLDER TAIL: 3-5 μm TIN  
UNDERPLATING: MIN 1.27 μm NICKEL ALL OVER
  - 4 CONTACT AREA: MIN 0.38 μm GOLD  
SOLDER TAIL: 3-5 μm TIN  
UNDERPLATING: MIN 1.27 μm NICKEL ALL OVER
  - 5 CONTACT AREA: MIN 0.76 μm GOLD  
SOLDER TAIL: 3-5 μm TIN  
UNDERPLATING: MIN 1.27 μm NICKEL ALL OVER
  - 6 N = NO. OF POSITIONS PER CONNECTOR.
  - 7

| "N"      | FG P/N           | CO-PLANARITY |
|----------|------------------|--------------|
| 4 TO 20  | -4 TO 2- -0      | 0.08         |
| 22 TO 40 | 2 - -2 TO 4 - -0 | 0.10         |
| 42 TO 50 | 4- -2 TO 5- -0   | 0.15         |



THIS DRAWING IS A CONTROLLED DOCUMENT.

|                          |   |  |  |                     |
|--------------------------|---|--|--|---------------------|
| DIMENSIONS:<br>mm [inch] | TOLERANCES UNLESS OTHERWISE SPECIFIED:<br>0 PLC ±<br>1 PLC ±0.2<br>2 PLC ±0.1 [0.008]<br>3 PLC ± [0.004]<br>4 PLC ±<br>ANGLES ±2° | DWN 23NOV2017<br>SOURAV DAS<br>CHK 02NOV2018<br>SHARATH S<br>APVD 02NOV2018<br>PRASHANTH S | TE Connectivity  |                     |
| MATERIAL<br>SEE NOTES    | FINISH<br>SEE NOTES   | PRODUCT SPEC<br>108-64040  | NAME<br>AMPMODU 2mm BiB RECEPTACLE,<br>DUAL ROW, VERTICAL, SMD |                     |
|                          |   | APPLICATION SPEC<br>114-32186  | SIZE<br>A2   | CAGE CODE<br>00779  |
|                          |   | WEIGHT<br>-  | DRAWING NO<br>C-2307816  | RESTRICTED TO<br>-  |
|                          |   | CUSTOMER DRAWING   | SCALE 10:1   | SHEET 1 OF 2 REV A2 |

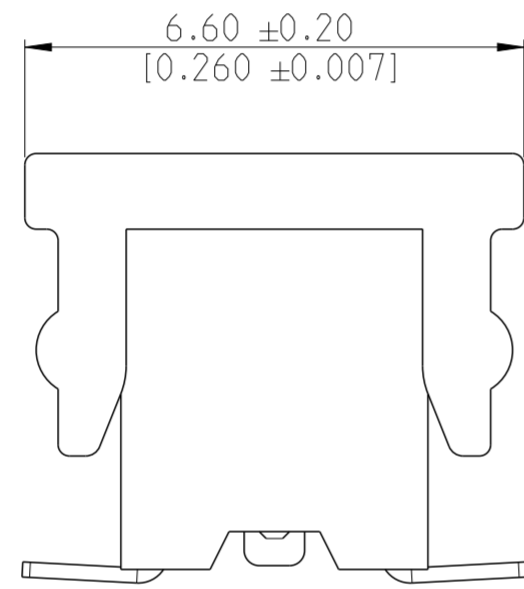
THIS DRAWING IS UNPUBLISHED. RELEASED FOR PUBLICATION 20  
 © COPYRIGHT 20 BY - ALL RIGHTS RESERVED.

| REVISIONS |     |             |      |      |
|-----------|-----|-------------|------|------|
| P         | LTR | DESCRIPTION | DATE | APVD |
| -         | -   | SEE SHEET 1 | -    | -    |
|           |     |             |      |      |
|           |     |             |      |      |

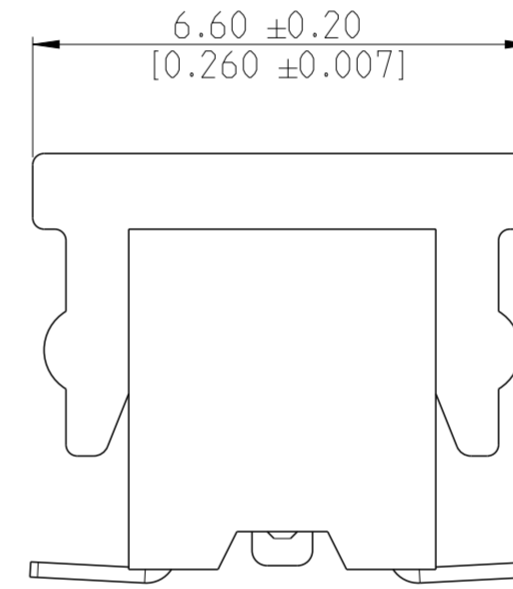
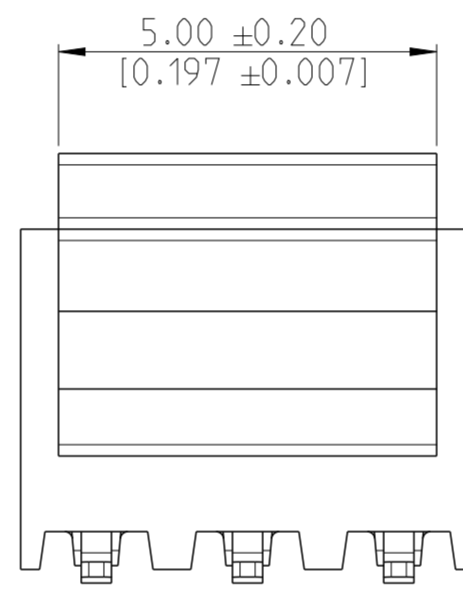
| MATING SIDE PLATING (FINISH) | BTB RECEPTACLE BASE NUMBERS |                  |
|------------------------------|-----------------------------|------------------|
|                              | TAPE & REEL PKG W / CAP     | TUBE PKG W / CAP |
| TIN<br>2                     | 2307816                     | 2314843          |
| GOLD FLASH 0.1 μm<br>3       | 2307817                     | 2314844          |
| GOLD 0.38 μm<br>4            | 2307818                     | 2314845          |
| GOLD 0.76 μm<br>5            | 2307819                     | 2314846          |




-4



-6



|         |         |    |       |
|---------|---------|----|-------|
| 48      | 50      | 50 | 5- -0 |
| 46      | 48      | 48 | 4- -8 |
| 44      | 46      | 46 | 4- -6 |
| 42      | 44      | 44 | 4- -4 |
| 40      | 42      | 42 | 4- -2 |
| 38      | 40      | 40 | 4- -0 |
| 36      | 38      | 38 | 3- -8 |
| 34      | 36      | 36 | 3- -6 |
| 32      | 34      | 34 | 3- -4 |
| 30      | 32      | 32 | 3- -2 |
| 28      | 30      | 30 | 3- -0 |
| 26      | 28      | 28 | 2- -8 |
| 24      | 26      | 26 | 2- -6 |
| 22      | 24      | 24 | 2- -4 |
| 20      | 22      | 22 | 2- -2 |
| 18      | 20      | 20 | 2- -0 |
| 16      | 18      | 18 | 1- -8 |
| 14      | 16      | 16 | 1- -6 |
| 12      | 14      | 14 | 1- -4 |
| 10      | 12      | 12 | 1- -2 |
| 8       | 10      | 10 | 1- -0 |
| 6       | 8       | 8  | -8    |
| 4       | 6       | 6  | -6    |
| 2       | 4       | 4  | -4    |
| DIM "F" | DIM "E" | N  | FG PN |

|  |  |                               |   |  |
|--|--|-------------------------------|---|--|
| THIS DRAWING IS A CONTROLLED DOCUMENT. |  | DWN 23NOV2017<br>SOURAV DAS   |  TE Connectivity |  |
| DIMENSIONS: mm [inch]                  |  | CHK 02NOV2018<br>SHARATH S    |   |  |
| TOLERANCES UNLESS OTHERWISE SPECIFIED: |  | APVD 02NOV2018<br>PRASHANTH S | NAME AMPMODU 2mm BtB RECEPTACLE, DUAL ROW, VERTICAL, SMD  |  |
| 0 PLC ±                                |  | PRODUCT SPEC 108-64040        | SIZE  |  |
| 1 PLC ±0.2                             |  | APPLICATION SPEC 114-32186    | CAGE CODE   |  |
| 2 PLC ±0.1 [0.008]                     |  | WEIGHT -                      | DRAWING NO  |  |
| 3 PLC ± [0.004]                        |  | CUSTOMER DRAWING              | RESTRICTED TO   |  |
| 4 PLC ±                                |  | SCALE 10:1                    | SHEET 2 OF 2  |  |
| ANGLES ±2°                             |  | REV A2                        |   |  |
| FINISH                                 |  |                               |   |  |
| MATERIAL SEE NOTES                     |  |                               |   |  |
| SEE NOTES                              |  |                               |   |  |

## X-ON Electronics

Largest Supplier of Electrical and Electronic Components

*Click to view similar products for [Board to Board & Mezzanine Connectors](#) category:*

*Click to view products by [TE Connectivity](#) manufacturer:*

Other Similar products are found below :

[589158040000018](#) [MDF7C-18P-2.54DSA\(55\)](#) [FCN-230C068-11](#) [FCN-268F012-G/BD](#) [FCN-268F036-G/BD](#) [FCN-268M012-G/0D](#) [FCN-268M024-G/1D](#) [FCN-723J004/1](#) [MIS-048-01-F-D-DP-K](#) [832-10-034-10-001000](#) [FX4C-80S-1.27DSA](#) [FCN-214Q030-G/0](#) [FCN-234P048-G/0](#) [FCN-235D050-G/C](#) [210-93-314-41-105000](#) [2-22603-0](#) [MDF7-40DP-2.54DSA\(55\)](#) [AXG720047](#) [5031084030](#) [MIT-114-03-F-D-K](#) [55323-1519](#) [DF33-2P-3.3DSA\(24\)](#) [YFT-20-05-H-03-SB-K](#) [503308-3040](#) [026-6203-PDB](#) [027-6203-PDB](#) [069159702701000](#) [10123981-102LF](#) [101A10019X](#) [55650-0588-C](#) [68684-306](#) [75140-7012](#) [194261-1](#) [FCN-268F024-G0D](#) [10124054-515LF](#) [68685-603](#) [8-1616154-3](#) [MIS-019-01-F-D](#) [541371078](#) [IL-WX-10PB-HF-B-E1000E](#) [FCN-268M024-G/3D](#) [20021832-06016C1LF](#) [KX15-20KLDL-E1000E](#) [MDF7-16DP-2.54DSA\(55\)](#) [AXE810124](#) [FCN-214J100-G/0](#) [FCN-230C068-E/S](#) [AXE812124](#) [AXE816124](#) [AXE720127](#)