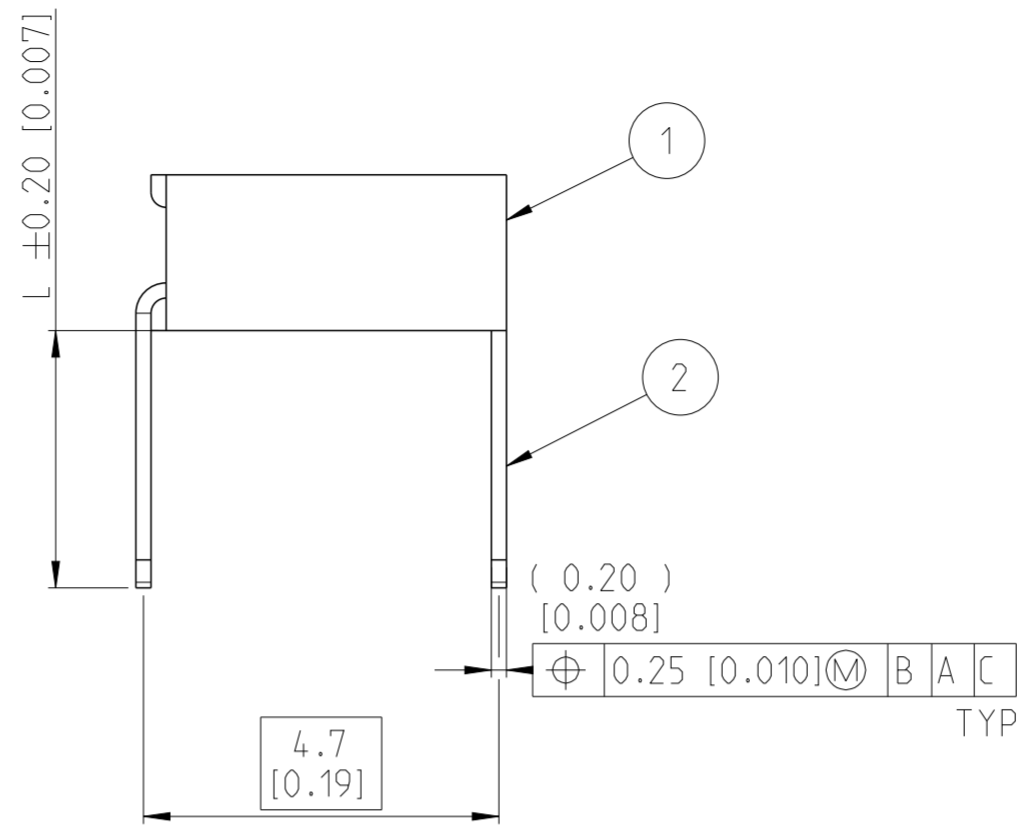
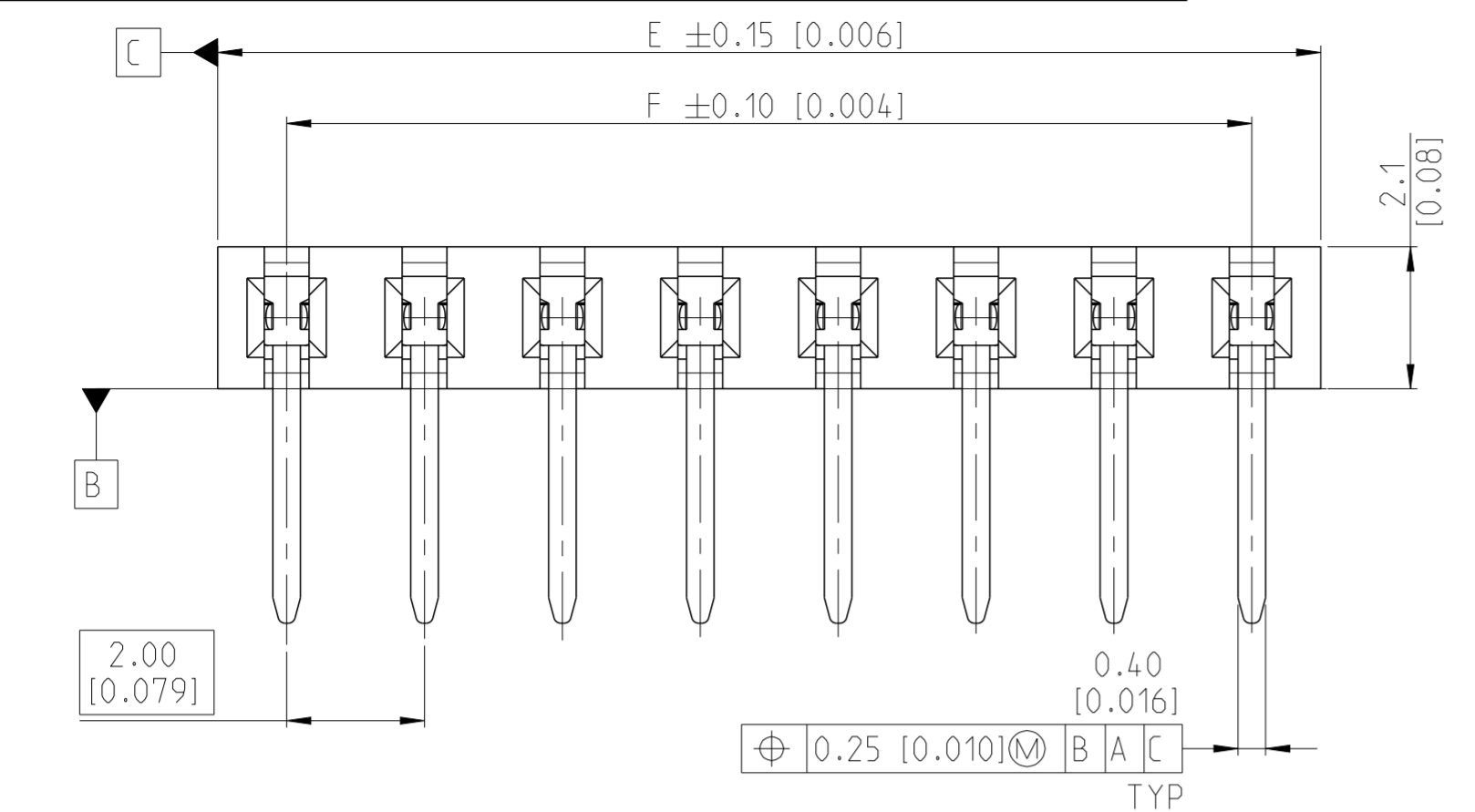
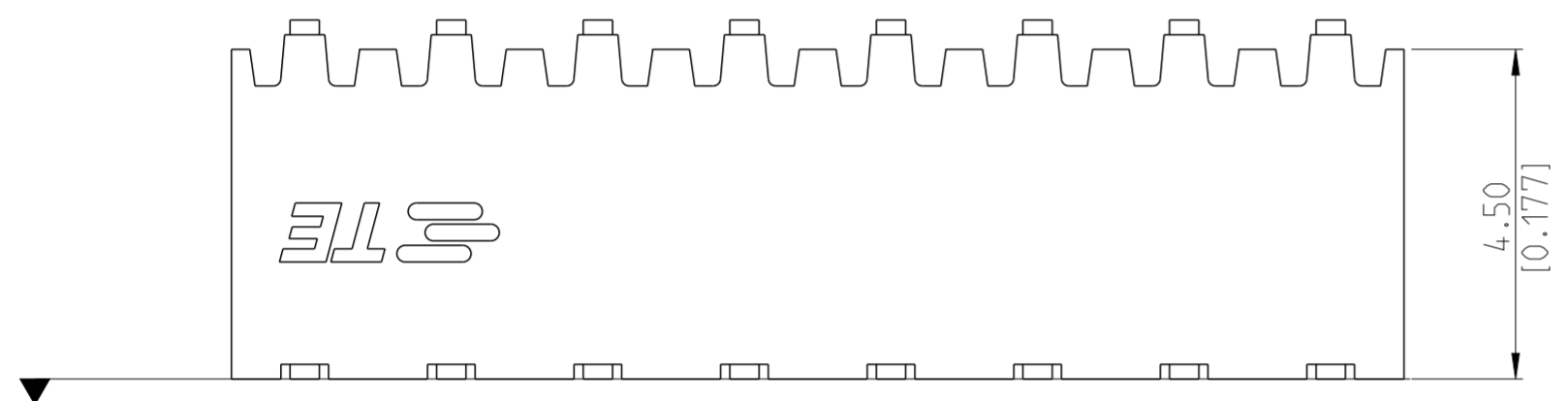


THIS DRAWING IS UNPUBLISHED. RELEASED FOR PUBLICATION 20  
 © COPYRIGHT 20 BY - ALL RIGHTS RESERVED.

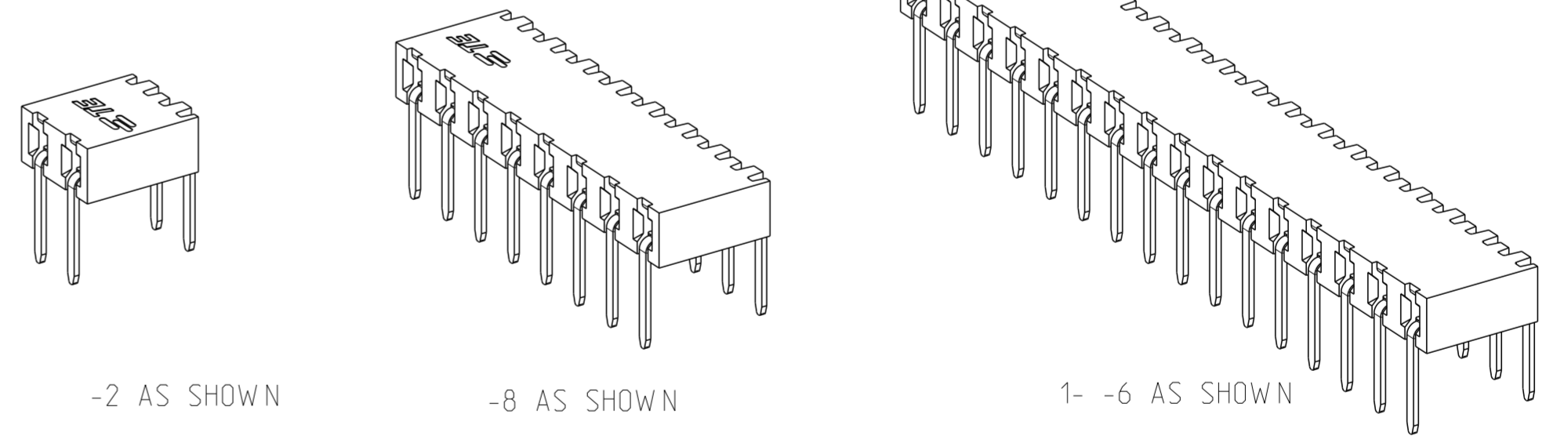
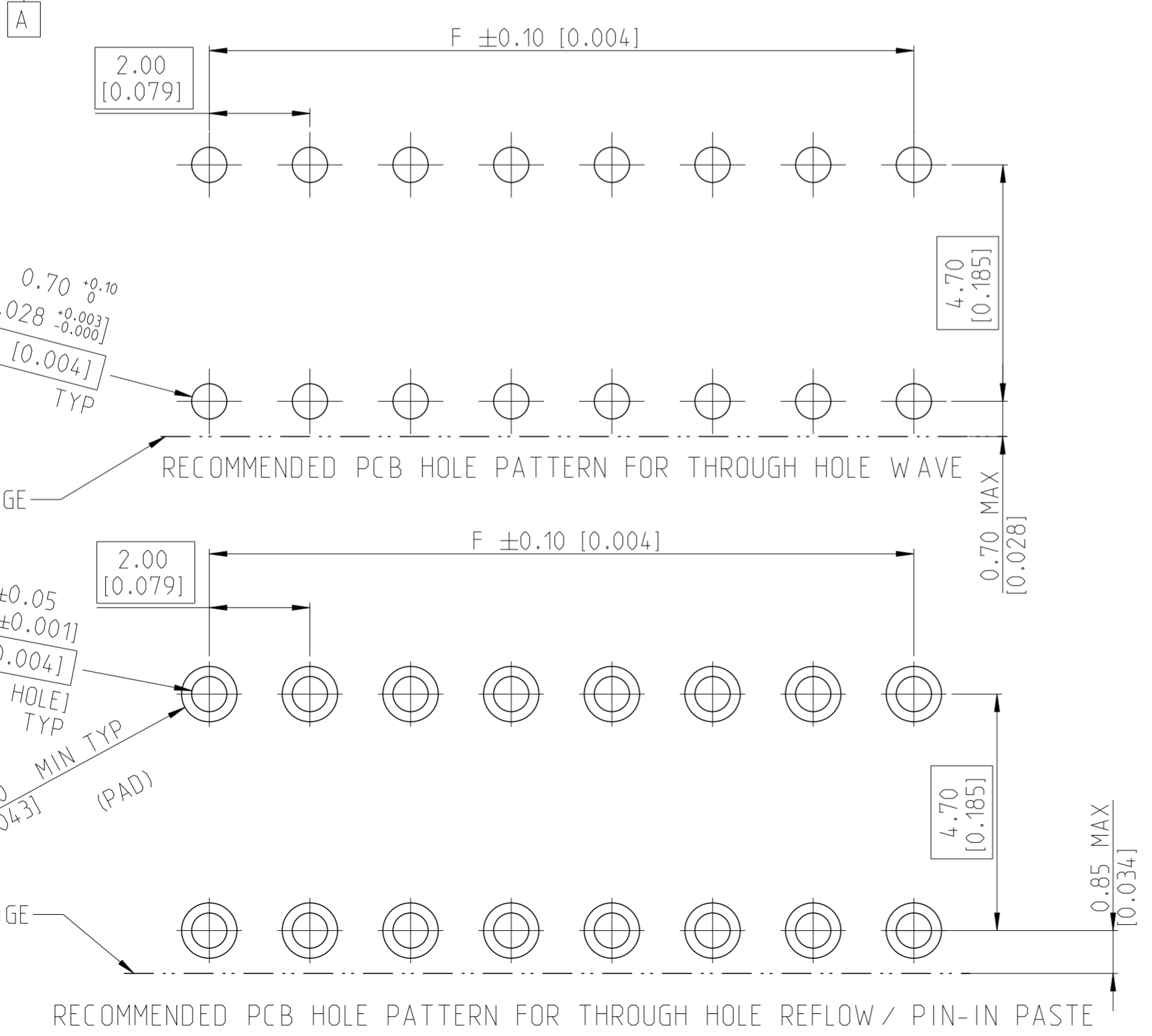
| REVISIONS |     |  |           |     |      |
|-----------|-----|--|-----------|-----|------|
| P         | LTR | DESCRIPTION                                | DATE      | DWN | APVD |
| A         |     | RELEASE GOLD PLATED VERSIONS TO PRODUCTION | 03SEP2019 | AY  | PS   |
| A1        |     | RELEASE TIN PLATED VERSIONS TO PRODUCTION  | 14APR2020 | AY  | PS   |
|           |     |  |           |     |      |



- NOTES:
- 1 MATERIAL:  
HOUSING: LCP, UL94 V0, BLACK  
CONTACT: PHOSPHOR BRONZE, 0.20mm THICK.
  - 2 ALL OVER 3-5µm TIN OVER MIN 1.27µm NICKEL UNDERPLATE
  - 3 CONTACT AREA: MIN 0.1µm GOLD  
SOLDER TAIL: 3-5µm TIN  
UNDERPLATING: MIN 1.27µm NICKEL ALL OVER
  - 4 CONTACT AREA: MIN 0.38µm GOLD  
SOLDER TAIL: 3-5µm TIN  
UNDERPLATING: MIN 1.27µm NICKEL ALL OVER
  - 5 CONTACT AREA: MIN 0.76µm GOLD  
SOLDER TAIL: 3-5µm TIN  
UNDERPLATING: MIN 1.27µm NICKEL ALL OVER
  - 6 N = NO. OF POSITIONS PER CONNECTOR.



|             |      |
|-------------|------|
| CONTACT     | 2    |
| HOUSING     | 1    |
| DESCRIPTION | ITEM |



|  |  |                                |                           |                 |
|--|--|--------------------------------|---------------------------|-----------------|
| THIS DRAWING IS A CONTROLLED DOCUMENT. |  | DWN 23NOV2017<br>SOURAV DAS    | TE Connectivity           |                 |
| DIMENSIONS:<br>mm [inch]               |  | CHK 19JULY2018<br>SHARATH S    |                           |                 |
| TOLERANCES UNLESS OTHERWISE SPECIFIED: |  | APVD 19JULY2018<br>PRASHANTH S | PRODUCT SPEC<br>108-64040 | SIZE<br>A2      |
| 0 PLC ±                                |  | APPLICATION SPEC<br>114-32186  | RESTRICTED TO<br>-        | SCALE<br>10:1   |
| 1 PLC ±0.2                             |  | WEIGHT<br>-                    | CAGE CODE<br>A2100779     | SHEET<br>1 OF 2 |
| 2 PLC ±0.1 [0.008]                     |  | MATERIAL<br>SEE NOTES          | DRAWING NO<br>C-2307700   | REV<br>A1       |
| 3 PLC ± [0.004]                        |  | FINISH<br>SEE NOTES            | CUSTOMER DRAWING          |                 |
| 4 PLC ±                                |  |                                |                           |                 |
| ANGLES ±2°                             |  |                                |                           |                 |

THIS DRAWING IS UNPUBLISHED. RELEASED FOR PUBLICATION 20  
 © COPYRIGHT 20 BY - ALL RIGHTS RESERVED.

| REVISIONS |     |             |      |      |
|-----------|-----|-------------|------|------|
| P         | LTR | DESCRIPTION | DATE | APVD |
| -         |     | SEE SHEET 1 | -    | -    |
|           |     |             |      |      |
|           |     |             |      |      |

| MATING SIDE PLATING (FINISH) | "L" SOLDER TAIL LENGTH | BTB RECEPTACLE BASE NUMBERS |                  |
|------------------------------|------------------------|-----------------------------|------------------|
|                              |                        | TAPE & REEL PKG W/O CAP     | TUBE PKG W/O CAP |
| TIN<br>△<br>2                | 2.1[0.083]             | 2307700                     | 2314927          |
|                              | 2.8[0.110]             | 2314935                     | 2307701          |
|                              | 3.4[0.134]             | A/R                         | 2307702          |
| GOLD FLASH 0.1 μm<br>△<br>3  | 2.1[0.083]             | 2307703                     | 2314928          |
|                              | 2.8[0.110]             | 2314936                     | 2307704          |
|                              | 3.4[0.134]             | A/R                         | 2307705          |
| GOLD 0.38 μm<br>△<br>4       | 2.1[0.083]             | 2307706                     | 2314929          |
|                              | 2.8[0.110]             | 2314937                     | 2307707          |
|                              | 3.4[0.134]             | A/R                         | 2307708          |
| GOLD 0.76 μm<br>△<br>5       | 2.1[0.083]             | 2307709                     | 2314930          |
|                              | 2.8[0.110]             | 2314938                     | 2307710          |
|                              | 3.4[0.134]             | A/R                         | 2307711          |

\* A/R- AVAILABLE ON REQUEST

|         |         |    |       |
|---------|---------|----|-------|
| 48      | 50      | 25 | 2- -5 |
| 46      | 48      | 24 | 2- -4 |
| 44      | 46      | 23 | 2- -3 |
| 42      | 44      | 22 | 2- -2 |
| 40      | 42      | 21 | 2- -1 |
| 38      | 40      | 20 | 2- -0 |
| 36      | 38      | 19 | 1- -9 |
| 34      | 36      | 18 | 1- -8 |
| 32      | 34      | 17 | 1- -7 |
| 30      | 32      | 16 | 1- -6 |
| 28      | 30      | 15 | 1- -5 |
| 26      | 28      | 14 | 1- -4 |
| 24      | 26      | 13 | 1- -3 |
| 22      | 24      | 12 | 1- -2 |
| 20      | 22      | 11 | 1- -1 |
| 18      | 20      | 10 | 1- -0 |
| 16      | 18      | 9  | -9    |
| 14      | 16      | 8  | -8    |
| 12      | 14      | 7  | -7    |
| 10      | 12      | 6  | -6    |
| 8       | 10      | 5  | -5    |
| 6       | 8       | 4  | -4    |
| 4       | 6       | 3  | -3    |
| 2       | 4       | 2  | -2    |
| DIM "F" | DIM "E" | N  | FG PN |

|  |  |                                |  |  |
|--|--|--------------------------------|--|--|
| THIS DRAWING IS A CONTROLLED DOCUMENT. |  | DWN 23NOV2017<br>SOURAV DAS    | <b>STE</b> TE Connectivity                                     |  |
| DIMENSIONS:<br>mm [inch]               |  | CHK 19JULY2018<br>SHARATH S    |  |  |
| TOLERANCES UNLESS OTHERWISE SPECIFIED: |  | APVD 19JULY2018<br>PRASHANTH S | NAME AMPMODU 2mm, BtB RECEPTACLE, SINGLE ROW, HORIZONTAL TH/TR |  |
| 0 PLC ±                                |  | PRODUCT SPEC 108-64040         | SIZE CAGE CODE DRAWING NO RESTRICTED TO                        |  |
| 1 PLC ±0.2                             |  | APPLICATION SPEC 114-32186     | A2 100779 C-2307700  |  |
| 2 PLC ±0.1 [0.008]                     |  | WEIGHT -                       | SCALE 10:1 SHEET 2 OF 2 REV A1                                 |  |
| 3 PLC ± [0.004]                        |  | CUSTOMER DRAWING               |  |  |
| 4 PLC ±                                |  |                                |  |  |
| ANGLES ±2°                             |  |                                |  |  |
| FINISH                                 |  |                                |  |  |
| MATERIAL SEE NOTES                     |  |                                |  |  |
| SEE NOTES                              |  |                                |  |  |

## X-ON Electronics

Largest Supplier of Electrical and Electronic Components

*Click to view similar products for [Board to Board & Mezzanine Connectors](#) category:*

*Click to view products by [TE Connectivity](#) manufacturer:*

Other Similar products are found below :

[589158040000018](#) [MDF7C-18P-2.54DSA\(55\)](#) [FCN-230C068-11](#) [FCN-268F012-G/BD](#) [FCN-268F036-G/BD](#) [FCN-268M012-G/0D](#) [FCN-268M024-G/1D](#) [FCN-723J004/1](#) [MIS-048-01-F-D-DP-K](#) [832-10-034-10-001000](#) [FX4C-80S-1.27DSA](#) [FCN-214Q030-G/0](#) [FCN-234P048-G/0](#) [FCN-235D050-G/C](#) [210-93-314-41-105000](#) [2-22603-0](#) [MDF7-40DP-2.54DSA\(55\)](#) [AXG720047](#) [5031084030](#) [MIT-114-03-F-D-K](#) [55323-1519](#) [DF33-2P-3.3DSA\(24\)](#) [YFT-20-05-H-03-SB-K](#) [503308-3040](#) [026-6203-PDB](#) [027-6203-PDB](#) [069159702701000](#) [10123981-102LF](#) [101A10019X](#) [55650-0588-C](#) [68684-306](#) [75140-7012](#) [589159005003045](#) [194261-1](#) [FCN-268F024-G0D](#) [10124054-515LF](#) [68685-603](#) [8-1616154-3](#) [MIS-019-01-F-D](#) [589159005002045](#) [541371078](#) [IL-WX-10PB-HF-B-E1000E](#) [FCN-268M024-G/3D](#) [20021832-06016C1LF](#) [KX15-20KLDL-E1000E](#) [MDF7-16DP-2.54DSA\(55\)](#) [AXE810124](#) [FCN-214J100-G/0](#) [FCN-230C068-E/S](#) [AXE812124](#)