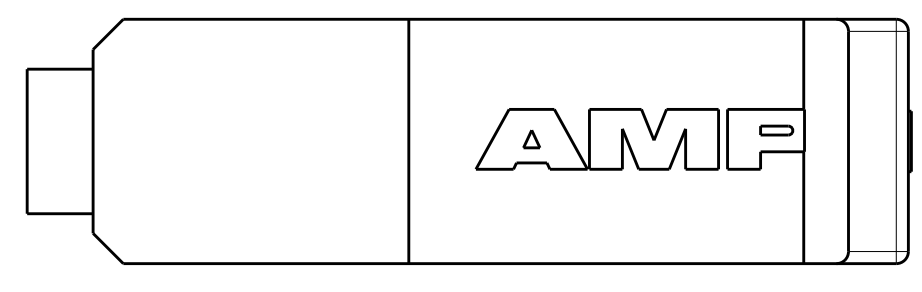
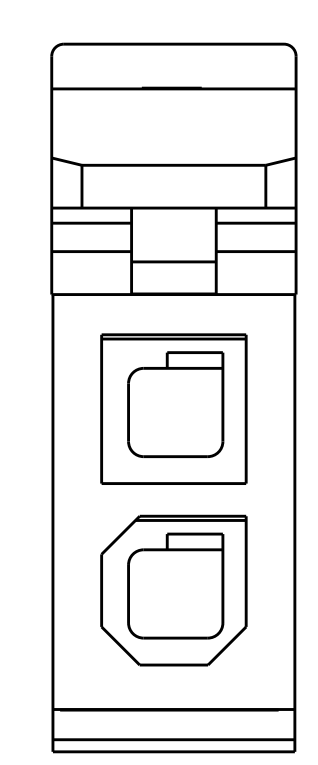
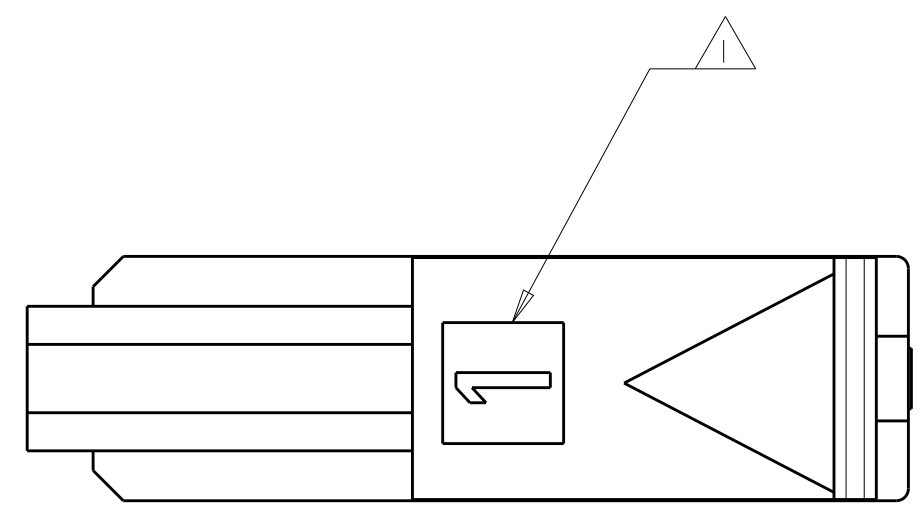
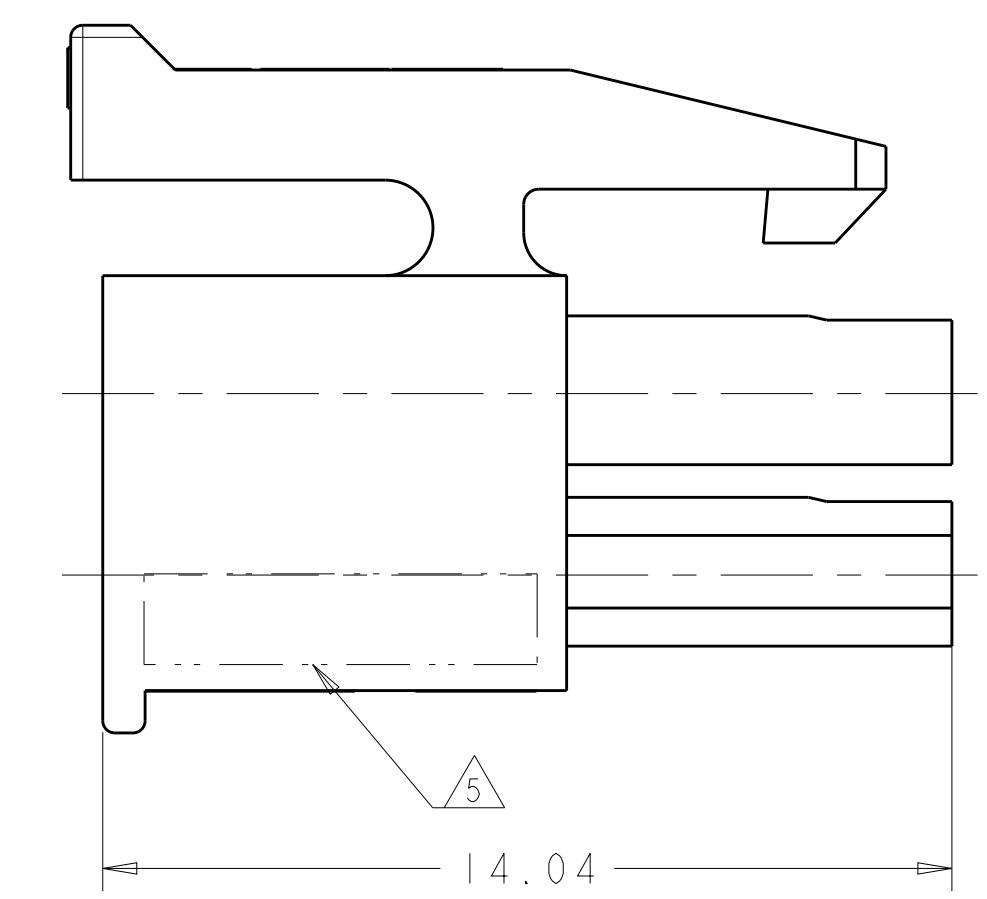
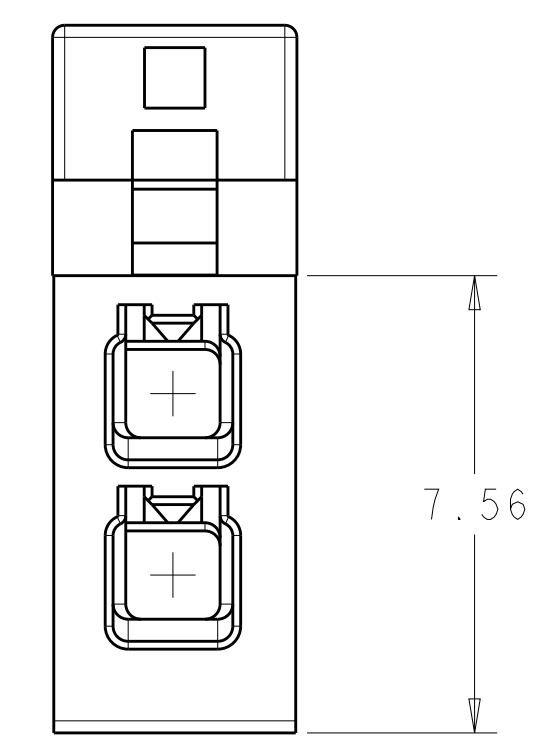
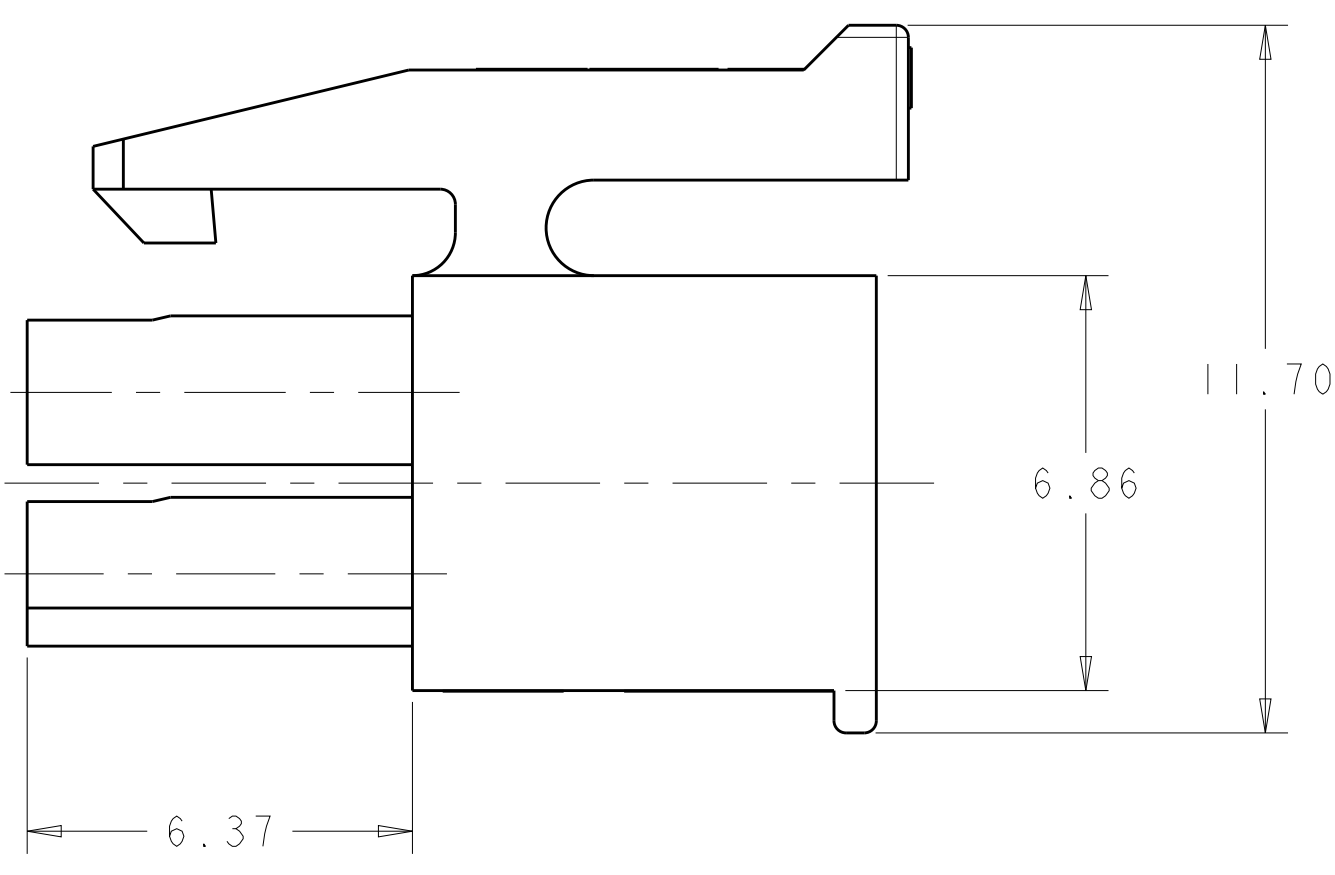
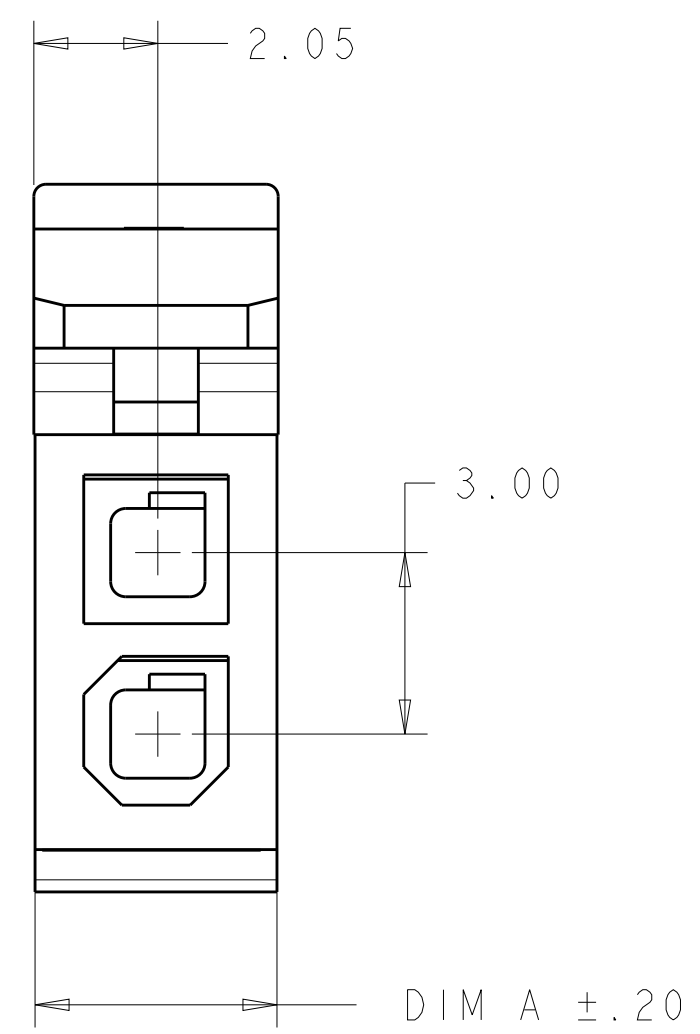


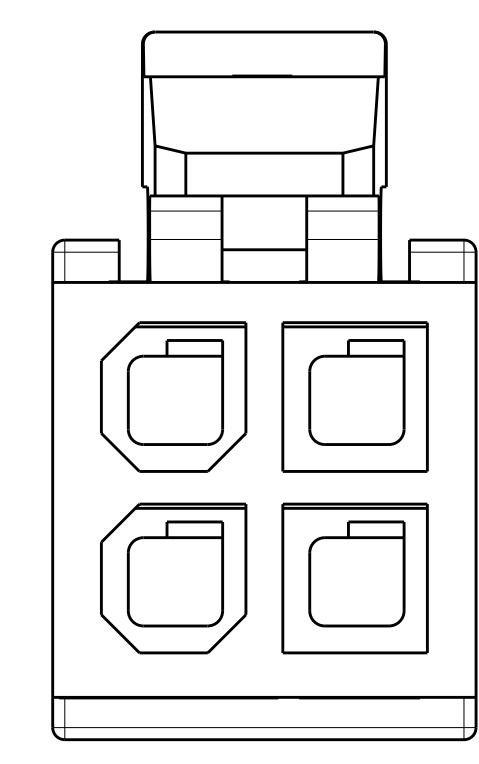
REVISIONS				
P.	LTN	DESCRIPTION	DATE	APPROV
A1		REVISED PER ECR-18-007792	21MAY2018	JB DZ
A2		REVISED PER ECR-18-012328	02AUG2018	JB DZ
B		REVISED PER ECR-18-014008	04SEP2018	JB DZ



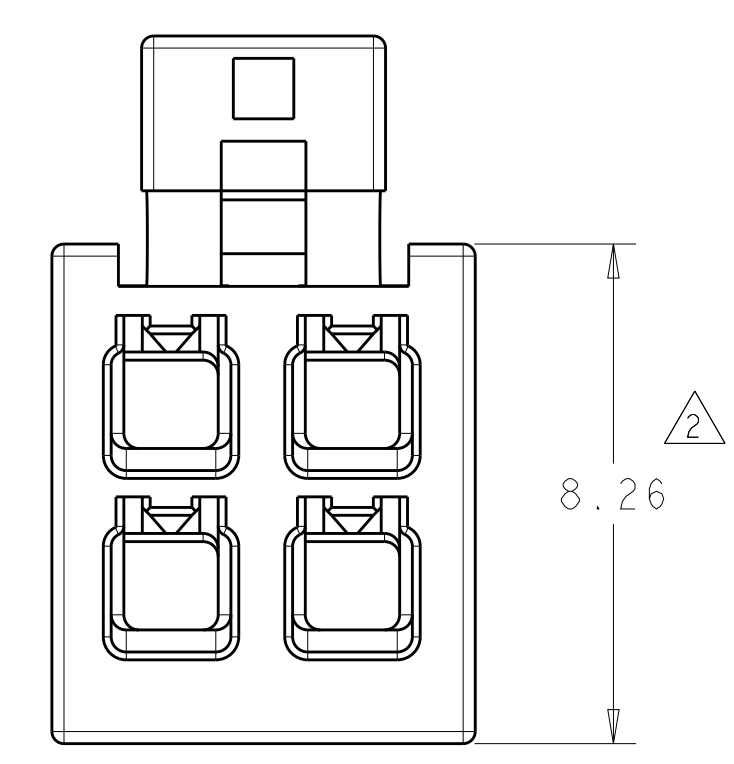
- ① CIRCUIT IDENTIFIER, LOCATED APPROXIMATELY AS SHOWN,
- ② DIMENSION ONLY 7.56 ON 2 POSITION
- ③ MATERIAL PA66 UL94-V0, GW, COLOR-NATURAL
- ④ PRELIMINARY PART NOT RELEASED FOR PRODUCTION.
- ⑤ MATERIAL ID ">PA<" LOCATED IN APPROX AREA SHOWN, APPROX 0.01 HIGH.



2 POSITION



4 POSITION



4 POSITION BACK VIEW

UL94-V0 GWT	7.00	4	2315744-4
③	4.00	2	2315744-2
MATERIAL	DIM A	NO. OF POS.	PART NO.

THIS DRAWING IS A CONTROLLED DOCUMENT.		DWN: BASAVARAJU D A 28FEB2018	TE Connectivity	
DIMENSIONS: mm		CHK: JYOTIRMAYA 28FEB2018		
TOLERANCES UNLESS OTHERWISE SPECIFIED:		APPR: DANIEL ZHANG 28FEB2018	NAME: RECEPTACLE HOUSING, DUAL ROW MICRO MATE-N-LOK	
0 PLC ±.26	1 PLC ±.26	PRODUCT SPEC: 108-1836	SIZE: A1	
2 PLC ±.26	3 PLC ±.26	APPLICATION SPEC: 114-13000	CAGE CODE: 2315744	
4 PLC ±.26	ANGLES ±.30°	WEIGHT: -	SHEET 1 OF 1	
MATERIAL: ③	FINISH: -	CUSTOMER DRAWING	SCALE: 5:1 REV: B	

X-ON Electronics

Largest Supplier of Electrical and Electronic Components

Click to view similar products for [Headers & Wire Housings](#) category:

Click to view products by [TE Connectivity](#) manufacturer:

Other Similar products are found below :

[892-18-020-10-001101](#) [58102-G61-06LF](#) [582553-1](#) [0009485154](#) [009176003701906](#) [0050291907](#) [LY20-4P-DT1-P1E-BR](#) [02.125.8002.8](#)
[609-3404](#) [61062-3](#) [61082-181009](#) [622-3653LF](#) [63453-116](#) [636-1030](#) [636-1427](#) [636-3427](#) [636-4007](#) [641938-9](#) [641991-4](#) [644827-2](#) [65817-](#)
[010LF](#) [65817-015LF](#) [65863-015LF](#) [66207-023LF](#) [67095-007LF](#) [67601157](#) [68645-018](#) [68648-049](#) [70.362.1628.0](#) [70-4210](#) [70-4226B](#) [70-](#)
[4853B](#) [707-5020](#) [707-5028](#) [71.350.2428.0](#) [71918-208LF](#) [71961-016LF](#) [733-134](#) [733-162](#) [754199-000](#) [760-3052](#) [787-8014-00](#) [79531-3000](#)
[FCN-360C032-B](#) [FCN-367T-T012/H](#) [FCN-723D010/2](#) [80.063.4001.1](#) [800-90-001-10-001000](#) [800-90-010-10-002000](#) [801-43-002-10-013000](#)