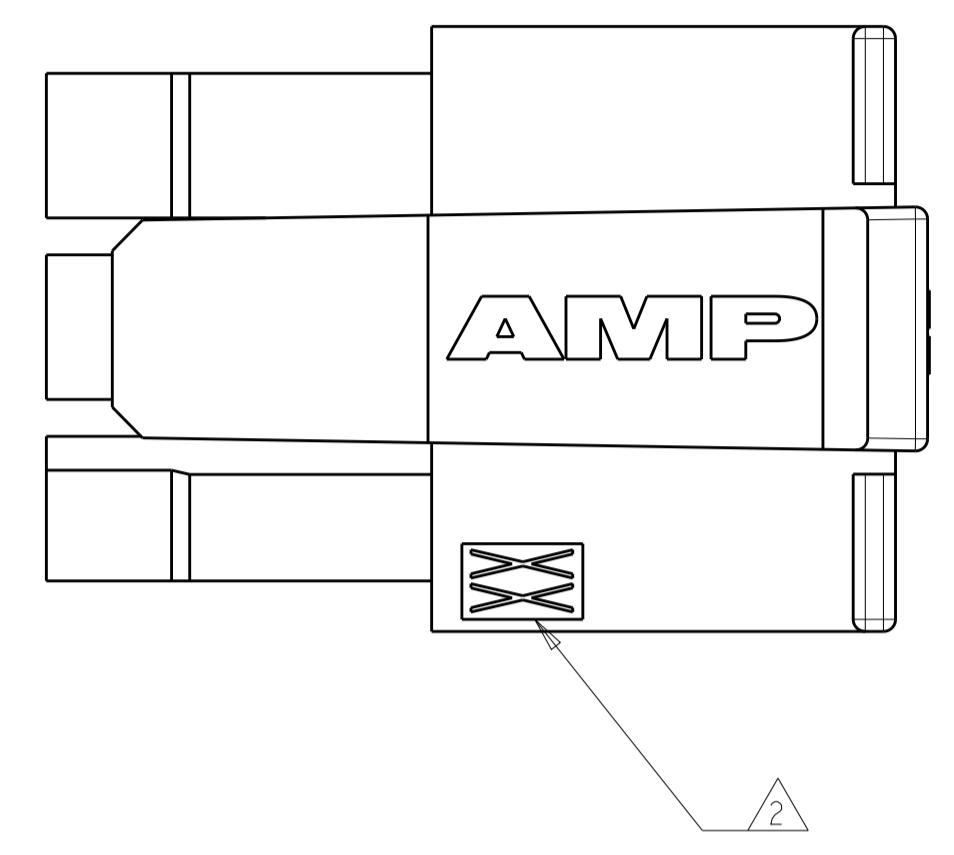
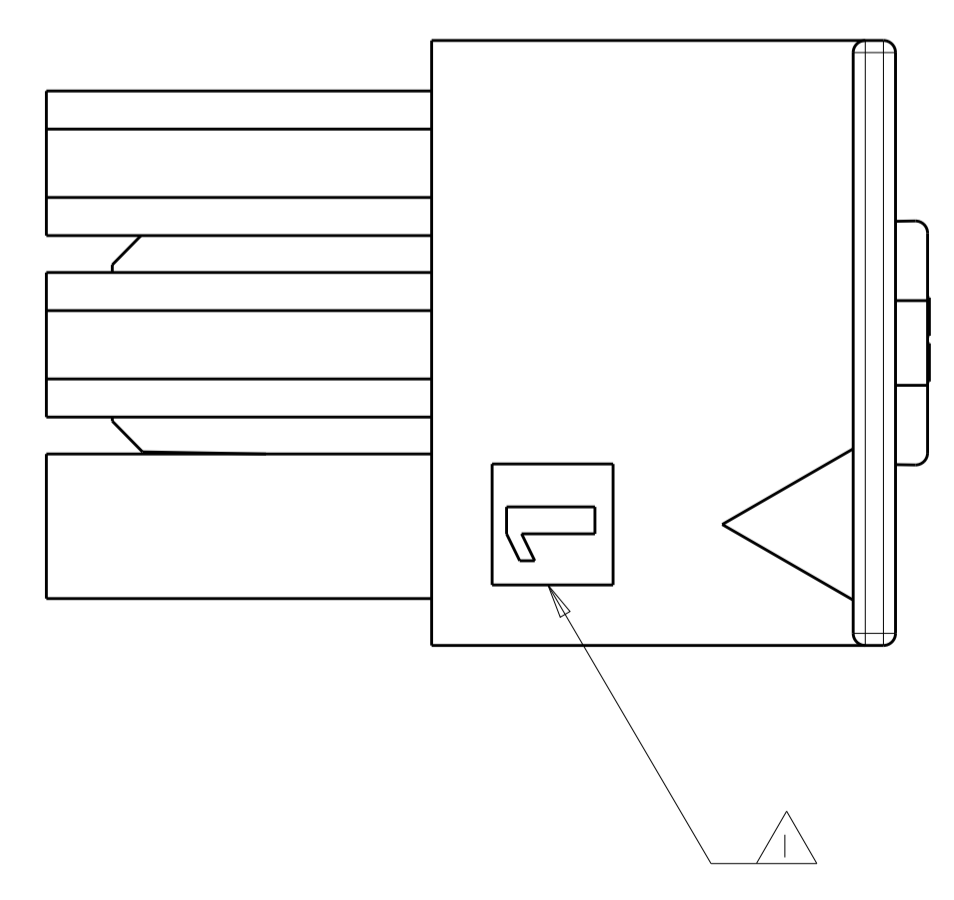
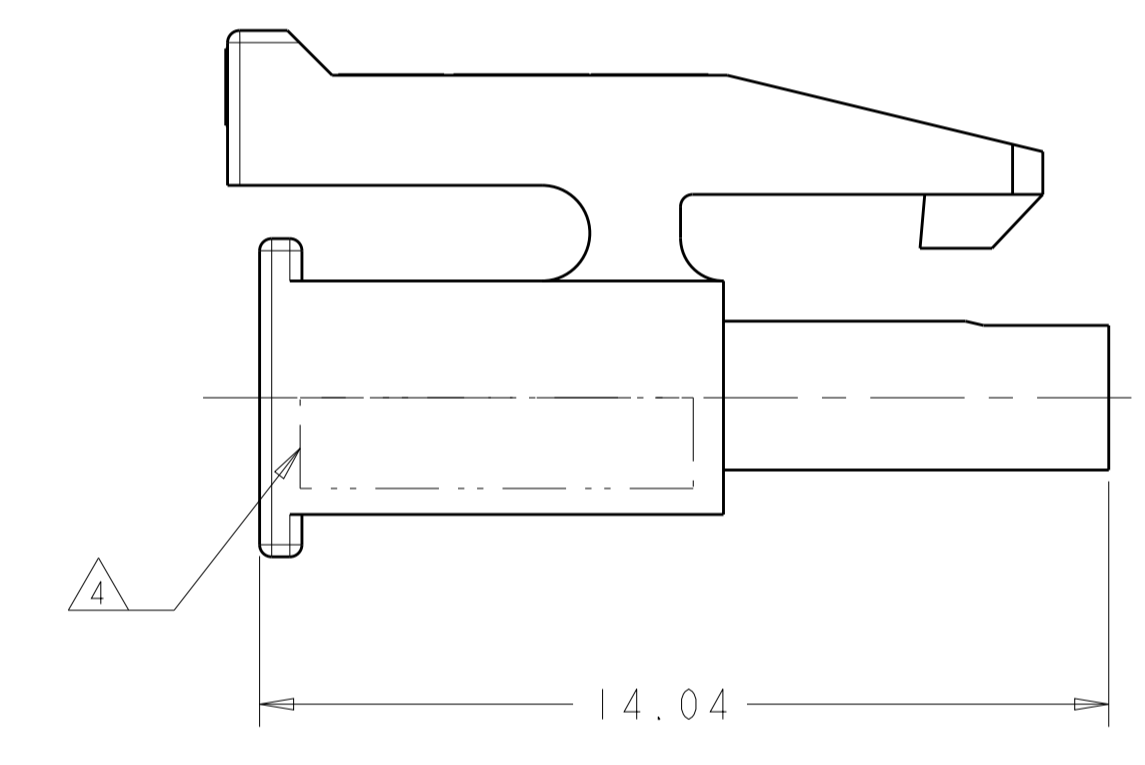
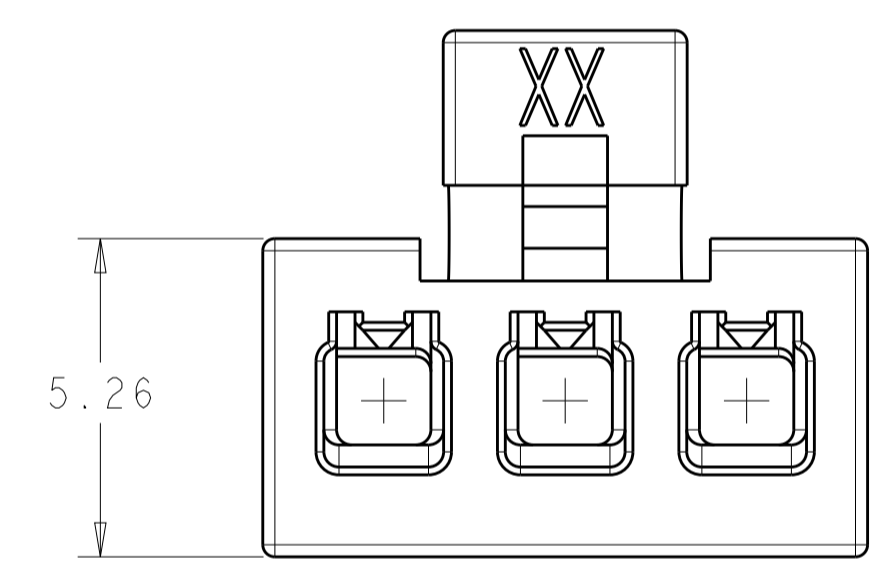
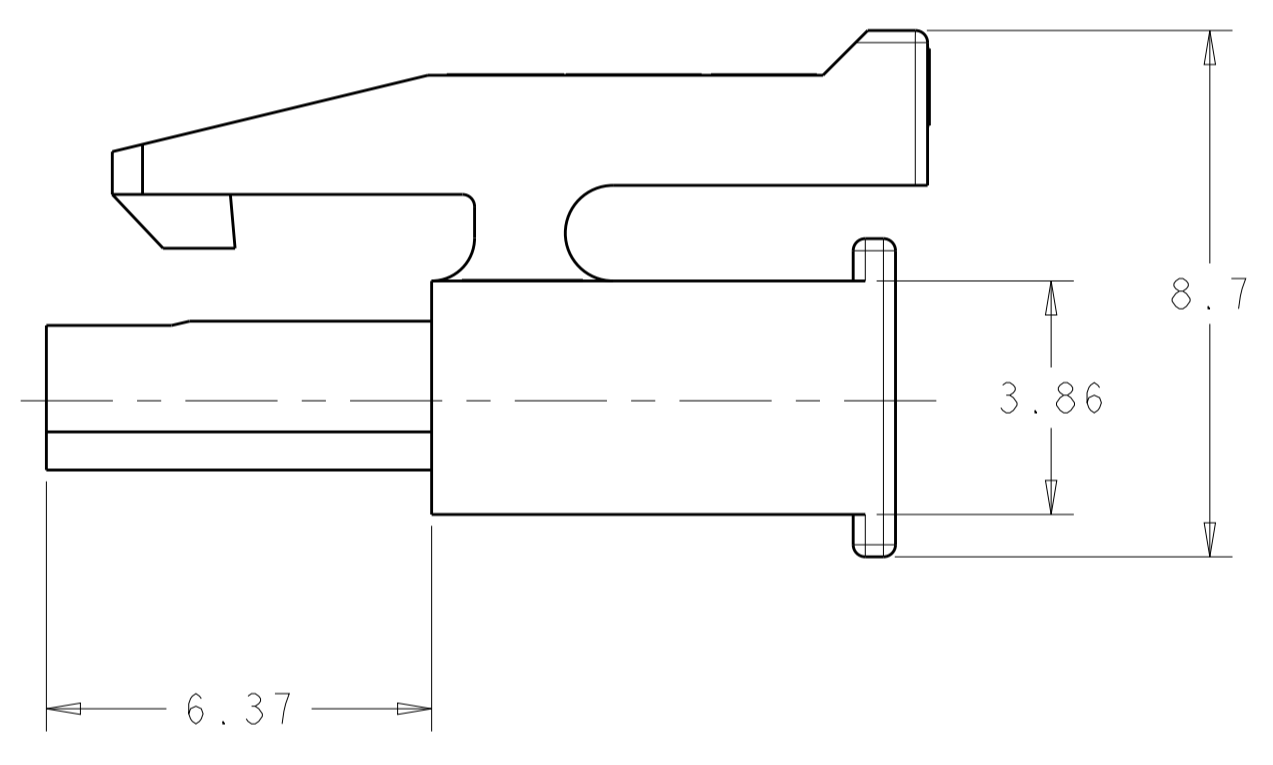
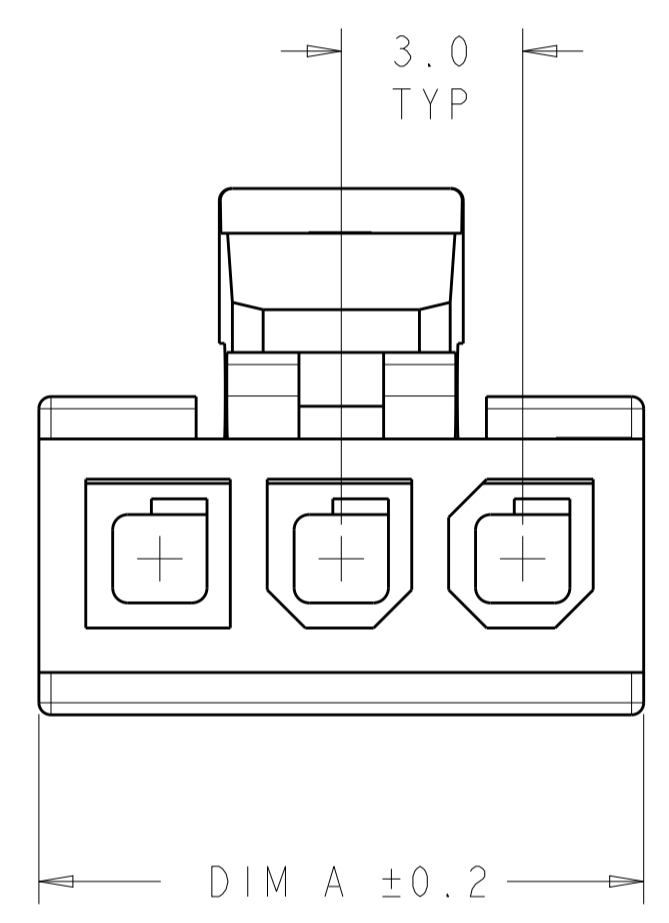


REVISIONS				
REV	LTN	DESCRIPTION	DATE	APPROVED
A1		REVISED PER ECR-18-007792	21MAY2018	JB DZ
A2		REVISED PER ECR-18-012328	02AUG2018	JB DZ
B		REVISED PER ECR-18-014008	04SEP2018	JB DZ



- △ CIRCUIT IDENTIFIER LOCATED IN APPROXIMATELY AS SHOWN,
- △ LAST CIRCUIT IDENTIFIER, LOCATED APPROXIMATELY AS SHOWN
- △ MATERIAL PA66 UL94-V0, GW, COLOR-NATURAL
- △ MATERIAL ID ">PA<" LOCATED IN APPROX AREA SHOWN, APPROX 0.01 HIGH.



UL94-V0 GWT	13.00	4	2315752-4
	10.00	3	2315752-3
	7.00	2	2315752-2
MATERIAL	DIM A	NO OF POS.	PART NO.

THIS DRAWING IS A CONTROLLED DOCUMENT.

DIMENSIONS:	TOLERANCES UNLESS OTHERWISE SPECIFIED:	DNW: BASAVARAJU D A 28FEB2018	TE Connectivity
mm	0 PLC ±0.26 1 PLC ±0.26 2 PLC ±0.26 3 PLC ±0.26 4 PLC ±0.26 ANGLES ±1°	CHK: JYOTIRMAYA 28FEB2018	
MATERIAL	FINISH	APVD: DANIEL ZHANG 28FEB2018	NAME: RECEPTACLE HOUSING, SINGLE ROW, MICRO MATE-N-LOK
		PRODUCT SPEC: 108-1836	SIZE: A1
		APPLICATION SPEC: 114-13000	CAGE CODE: 2315752
		WEIGHT: -	SCALE: 8:1
		CUSTOMER DRAWING	SHEET 1 OF 1 REV B

## X-ON Electronics

Largest Supplier of Electrical and Electronic Components

*Click to view similar products for [Headers & Wire Housings](#) category:*

*Click to view products by [TE Connectivity](#) manufacturer:*

Other Similar products are found below :

[892-18-020-10-001101](#) [58102-G61-06LF](#) [582553-1](#) [0009485154](#) [009176003701906](#) [0050291907](#) [LY20-4P-DT1-P1E-BR](#) [02.125.8002.8](#)  
[609-3404](#) [61062-3](#) [61082-181009](#) [622-3653LF](#) [63453-116](#) [636-1030](#) [636-1427](#) [636-3427](#) [636-4007](#) [641938-9](#) [641991-4](#) [644827-2](#) [65817-010LF](#) [65817-015LF](#) [65863-015LF](#) [66207-023LF](#) [67095-007LF](#) [67601157](#) [68645-018](#) [68648-049](#) [70.362.1628.0](#) [70-4210](#) [70-4226B](#) [70-4853B](#) [707-5020](#) [707-5028](#) [71.350.2428.0](#) [71918-208LF](#) [71961-016LF](#) [733-134](#) [733-162](#) [754199-000](#) [760-3052](#) [787-8014-00](#) [79531-3000](#)  
[FCN-360C032-B](#) [FCN-367T-T012/H](#) [FCN-723D010/2](#) [80.063.4001.1](#) [800-90-001-10-001000](#) [800-90-010-10-002000](#) [801-43-002-10-013000](#)