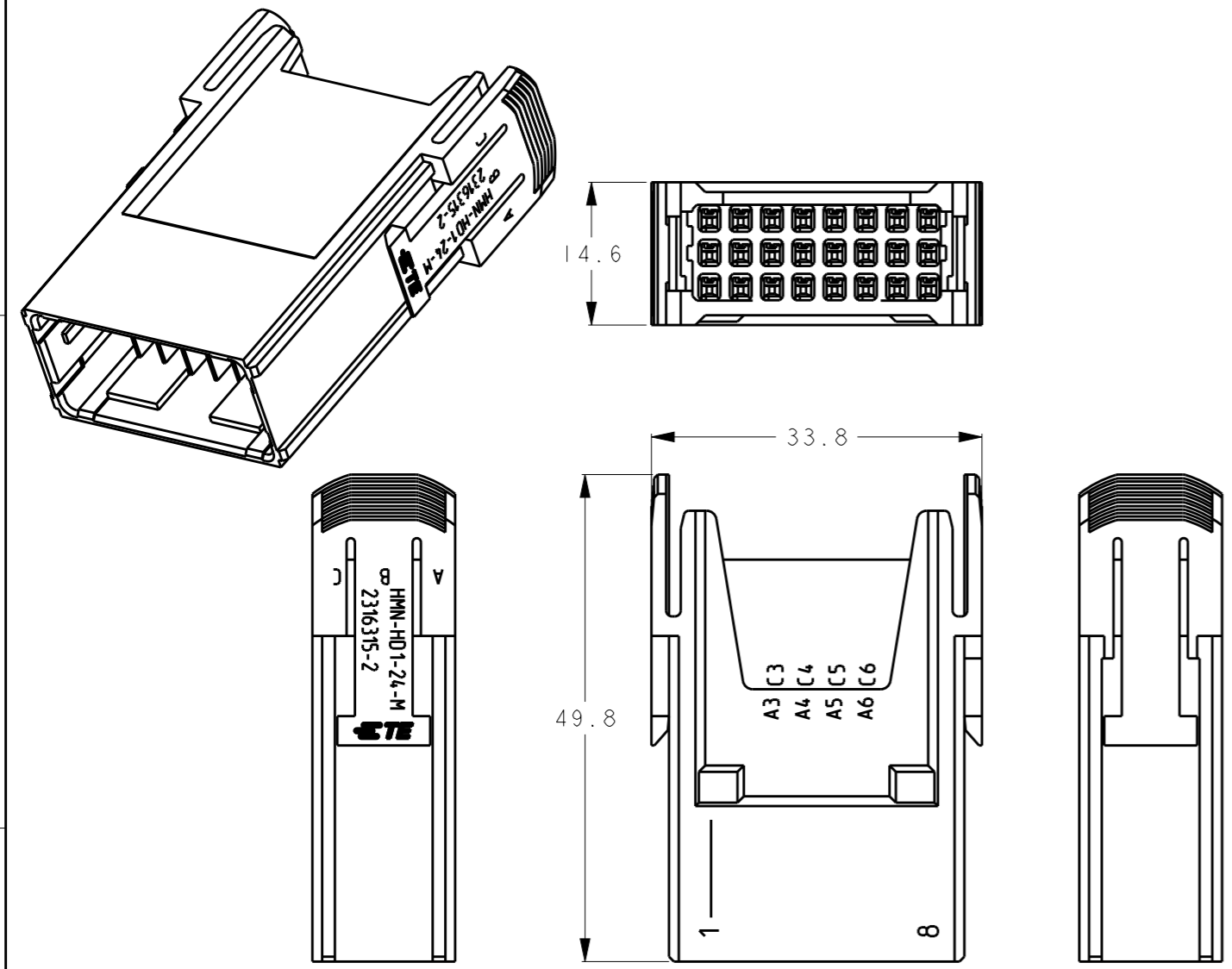


THIS DRAWING IS UNPUBLISHED. RELEASED FOR PUBLICATION 20
 © COPYRIGHT 20 BY - ALL RIGHTS RESERVED.

REVISIONS					
P	LTR	DESCRIPTION	DATE	DWN	APVD
	A	RELEASED	13DEC2017	RI	EI
	A1	REVISED PER ECR-18-004154	04APR2018	RI	EI
	A2	REVISED PER ECR-18-009643	21JUN2018	TS	EI
	A3	REVISED PER ECR-19-005449	22APR2019	DW	CW



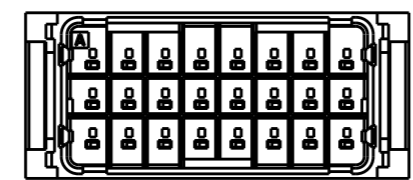
- TECHNICAL CHARACTERISTICS :
 INSULATION MATERIAL : PBT
 RATED VOLTAGE : 300V
 RATED CURRENT : 3.7A
 INSULATION RESISTANCE : $\geq 100M\Omega$
 RATED IMPULSE VOLTAGE : 4KV
 POLLUTION DEGREE : 3
 FLAMMABILITY : UL94V-0
 MATING CYCLES : SEE TABLE 1
 OPERATION TEMPERATURE : $-40^{\circ}C \sim +125^{\circ}C$
 WIRE RANGE : 0.05 SQmm~0.87 SQmm
 CONTACT TYPE : CRIMP CONTACT
- CONTACT NEED TO BE ORDERED SEPARATELY.
 (ORDER No. REFER TO DRAWING : SEE TABLE 1)
- FRAMES NEED TO BE ORDERED SEPARATELY.
 (ORDER No. REFER TO DRAWING : SEE TABLE 2)

TABLE 1

MATING CYCLES	INSULATION RANGE	WIRE RANGE	SIZE	REEL	L/P	DESCRIPTION
4000	1.4-2.2	AWG22-18, 0.34-0.87SQmm	2L	1-2316663-4	-	HDI TAB CONTACT
500	1.4-2.2	AWG22-18, 0.34-0.87SQmm	2L	2316663-4	2316669-4	
	1.08-1.9	AWG28-22, 0.08-0.37SQmm	L	2316663-3	2316669-3	
	1.08-1.6	AWG28-22, 0.08-0.37SQmm	M	2316663-2	2316669-2	
	0.6-1.2	AWG30-28, 0.05-0.10SQmm	S	2316663-1	2316669-1	

TABLE 2

DESCRIPTION	PART NUMBER
H24B MALE FRAME FOR 6 MODULES	T2070244101-002
H16B MALE FRAME FOR 4 MODULES	T2070164101-002
H10B MALE FRAME FOR 3 MODULES	T2070104101-002
H6B MALE FRAME FOR 2 MODULES	T2070064101-002
H10A MALE FRAME FOR 1 MODULE	T2079104101-002



2316315-2
PART NUMBER

THIS DRAWING IS A CONTROLLED DOCUMENT.		DWN R. ITO 13DEC2017	TE Connectivity				
DIMENSIONS: mm		CHK T. SHIMOYASU 13DEC2017					
TOLERANCES UNLESS OTHERWISE SPECIFIED:		APVD F. IKEMATSU 13DEC2017	NAME MODULE INSERT, HMN-HDI-24-M HDC DYNAMIC				
0 PLC ±0.5 1 PLC ±0.5 2 PLC ±0.5 3 PLC ±0.5 4 PLC ±0.5 ANGLES ±5°		PRODUCT SPEC 108-140157	SIZE A3	CAGE CODE -	DRAWING NO C-2316315	RESTRICTED TO -	
MATERIAL SEE NOTE		FINISH -	APPLICATION SPEC 114-78025	WEIGHT 12.9g	SCALE 3:2	SHEET 1 OF 1	REV A3
CUSTOMER DRAWING							

X-ON Electronics

Largest Supplier of Electrical and Electronic Components

Click to view similar products for [Heavy Duty Power Connectors](#) category:

Click to view products by [TE Connectivity](#) manufacturer:

Other Similar products are found below :

[647757-1](#) [6643411-1](#) [6646058-2](#) [6646137-1](#) [6646138-1](#) [6646479-1](#) [6646608-1](#) [6646786-1](#) [6646940-1](#) [6651091-1](#) [6651525-1](#) [6651529-1](#)
[6651788-1](#) [696475-1](#) [702-32-01109](#) [703-25-02205](#) [73000005059](#) [73000005642](#) [73080255059](#) [73080965046](#) [765-15-0080A](#) [765-16-0080B](#)
[765-18-0080D](#) [829992-1](#) [902-77-02113](#) [PS00/A0620/6300](#) [PS25/A0420/63](#) [129-1J](#) [1409400](#) [AN0024023](#) [E6374G1](#) [e6389g2](#) [157-43GW8](#)
[MS3117-14AC](#) [1643543-1](#) [1650540-1](#) [1651811-2](#) [1766260-1](#) [1766282-1](#) [1766966-1](#) [1791340000](#) [NLDFT-3-BL-L-S120-M40A](#) [NLDFT-N-](#)
[W-L-C240-M40B](#) [NLS-2-R-C240-M40B](#) [NLS-N-W-C240-M40B](#) [NPS-3-BL-T6](#) [1986615-1](#) [2-1589900-8](#) [2199314-1](#) [KA8102](#)