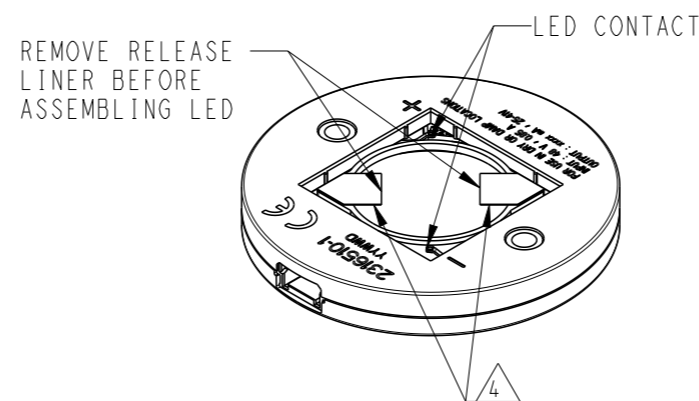
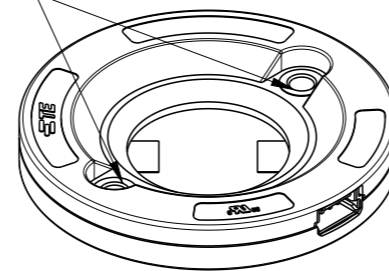
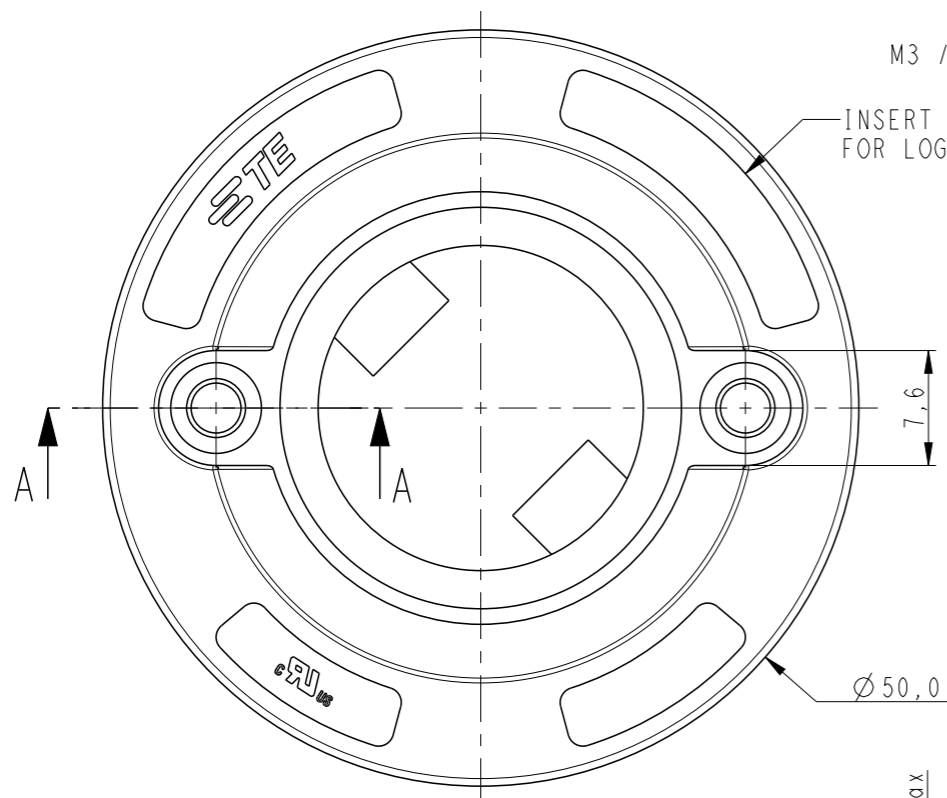


REVISIONS

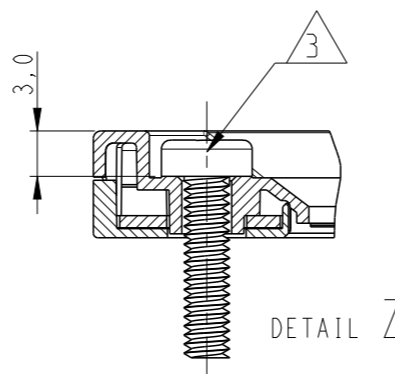
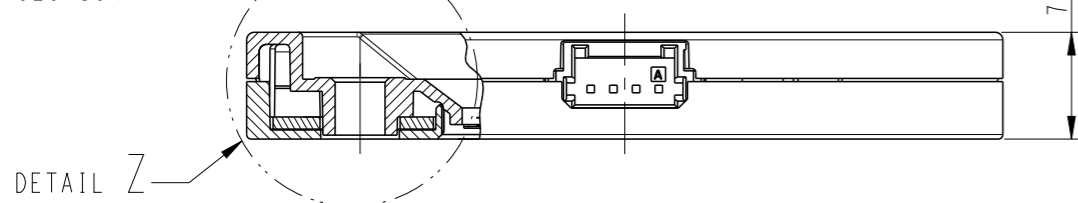
P	LTR	DESCRIPTION	DATE	DWN	APVD
C		REVISED PER ECR-19-014834	23SEP2019	RS	MG

NOTES:

- MATERIALS:
 HOUSING: GLASS FILLED PBT, HALOGEN FREE FLAME RETARDANT
 COLOR : NATURAL
 CONTACTS: GOLD PLATED COPPER ALLOY
- PRODUCT COMPLIES WITH RESTRICTION ON HAZARDOUS SUBSTANCES DIRECTIVE 2011/65/EU
- SCREW TO BE USED - PAN HEAD M3, #4-40, LENGTH 12mm MIN. RECOMMENDED SCREW TORQUE: 0.4 - 0.6 Nm
- LED RETENTION ON 2 CORNERS WITH DOUBLE SIDED ADHESIVE TAPE.
- MATING CONNECTOR TE PART NO: 353908-4 OR 6-353908-4
- DIMENSIONS SHOWN ARE IN MATED POSITION WITH LED
- SEE SHEET 3 FOR RECOMMENDED PIN LAYOUT & ADDITIONAL INFORMATION
- ELECTRICAL RATINGS:
 - USE WITH A 48V DC CONSTANT VOLTAGE CLASS 2 POWER SUPPLY, ±10% TOLERANCE
 - LED FORWARD VOLTAGE HAVE THE FOLLOWING RANGE: 25 - 41VDC
- FOR COB-TO-HOLDER CROSS REFERENCE, REFER TO APPLICATION SPECIFICATION 114-32208

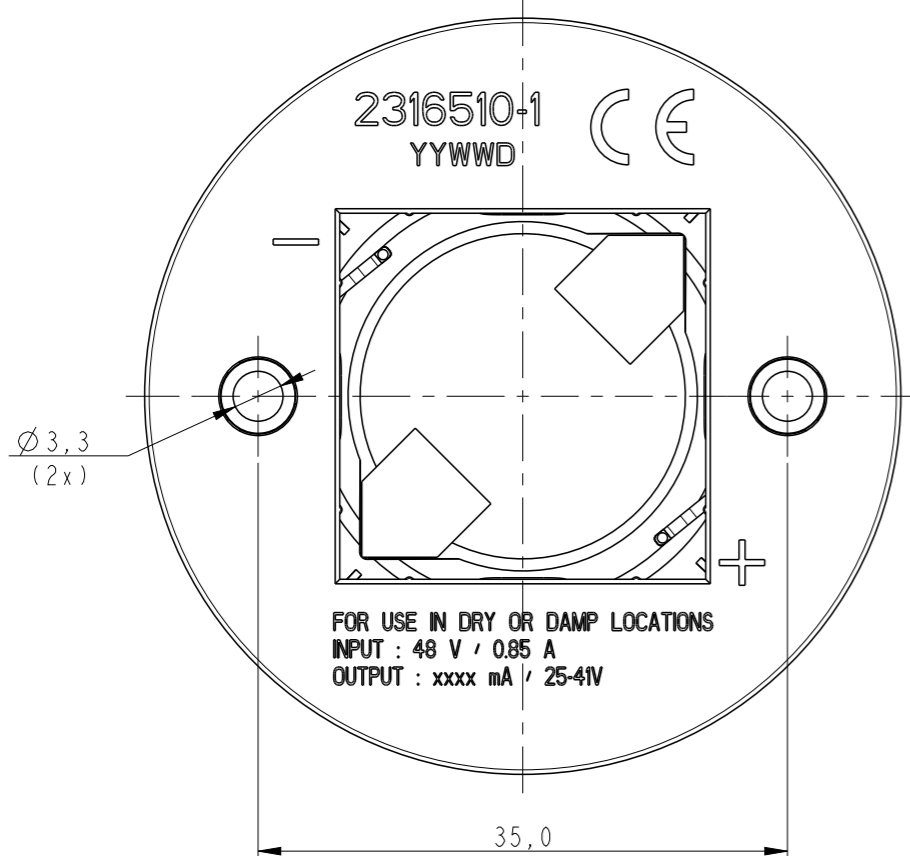


SECTION A-A



PRODUCT DATA SHEET I-1773935-6 FOR ADDITIONAL INFORMATION

CURRENT (mA)	LED TYPE	DESCRIPTION	WEIGHT (g)	PART NO
1050	16 x 19	0-10 V, 1.05A, 16x19	9.56	3-2316510-4
	19 x 19	0-10 V, 1.05A, 19x19	9.46	3-2316510-3
	20 x 24	0-10 V, 1.05A, 20x24	9.41	3-2316510-2
	24 x 24	0-10 V, 1.05A, 24x24	9.17	3-2316510-1
700	16 x 19	0-10 V, 0.7A, 16x19	9.56	2-2316510-4
	19 x 19	0-10 V, 0.7A, 19x19	9.46	2-2316510-3
	20 x 24	0-10 V, 0.7A, 20x24	9.41	2-2316510-2
	24 x 24	0-10 V, 0.7A, 24x24	9.17	2-2316510-1
500	16 x 19	0-10 V, 0.5A, 16x19	9.56	1-2316510-4
	19 x 19	0-10 V, 0.5A, 19x19	9.46	1-2316510-3
	20 x 24	0-10 V, 0.5A, 20x24	9.41	1-2316510-2
	24 x 24	0-10 V, 0.5A, 24x24	9.17	1-2316510-1
350	16 x 19	0-10 V, 0.35A, 16x19	9.56	2316510-4
	19 x 19	0-10 V, 0.35A, 19x19	9.46	2316510-3
	20 x 24	0-10 V, 0.35A, 20x24	9.41	2316510-2
	24 x 24	0-10 V, 0.35A, 24x24	9.17	2316510-1



THIS DRAWING IS A CONTROLLED DOCUMENT.

DWN 07MAR2017 RAGHAVENDRA.K
 CHK 07MAR2017 P.PETER
 APVD 07MAR2017 O.IEIJNSE

PRODUCT SPEC 108-133082
 APPLICATION SPEC 114-133082

WEIGHT -

CUSTOMER DRAWING

SCALE 5:1 SHEET 1 OF 3 REV C

TE Connectivity

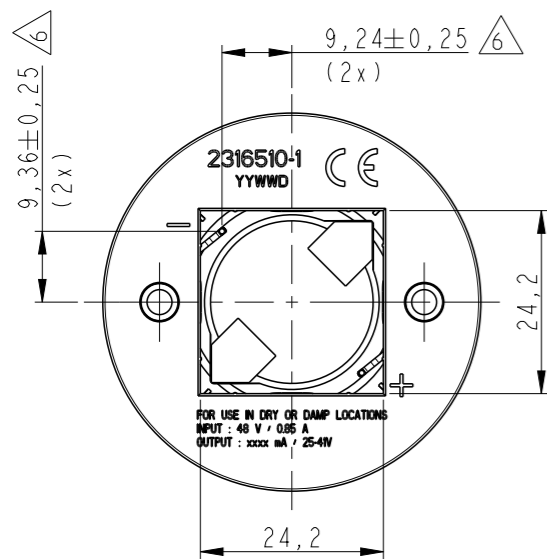
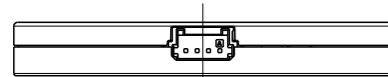
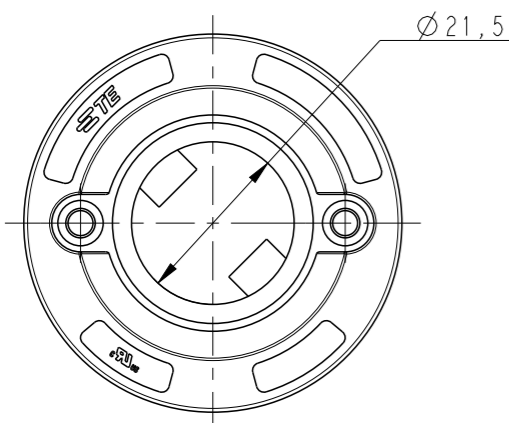
LUMAWISE DRIVE TYPE Z50
 0-10 V VERSION

SIZE A3 CAGE CODE 00779 DRAWING NO C-2316510 RESTRICTED TO -

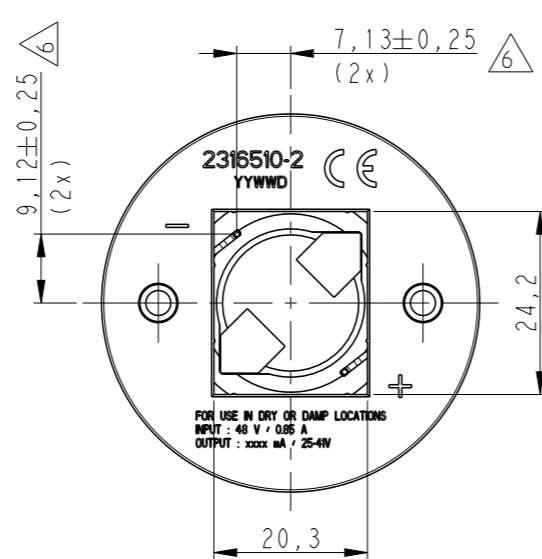
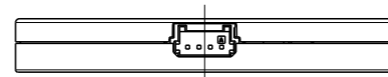
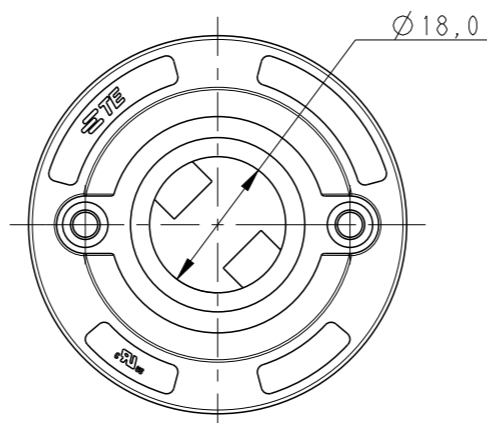
REVISIONS

P	LTR	DESCRIPTION	DATE	DWN	APVD

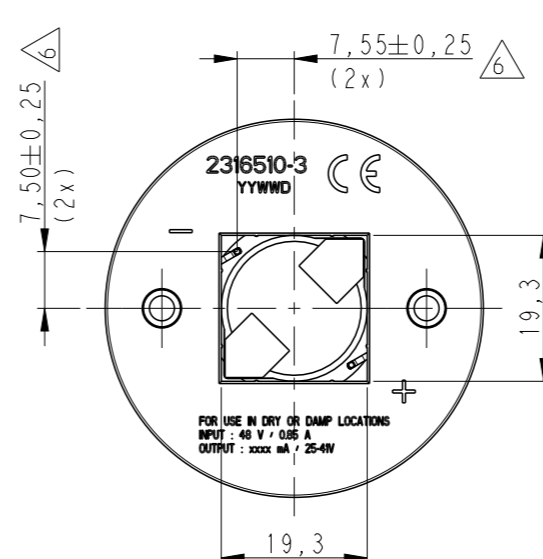
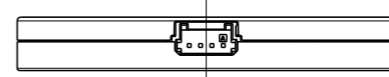
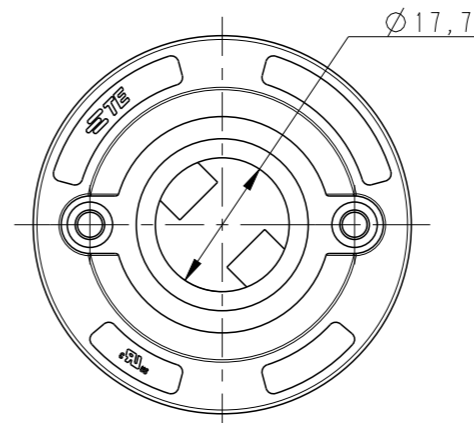
AS SHOWN 2316510-1
SCALE 1:1



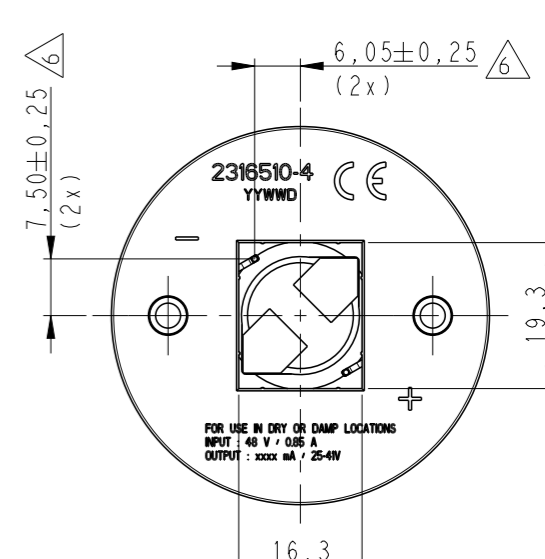
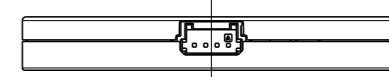
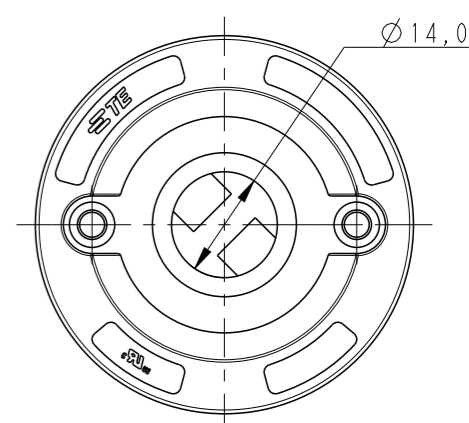
AS SHOWN 2316510-2
SCALE 1:1



AS SHOWN 2316510-3
SCALE 1:1

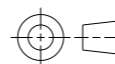


AS SHOWN 2316510-4
SCALE 1:1



THIS DRAWING IS A CONTROLLED DOCUMENT.

DIMENSIONS:
mm



MATERIAL
SEE NOTES

TOLERANCES UNLESS
OTHERWISE SPECIFIED:

- 0 PLC ±-
- 1 PLC ±0.2
- 2 PLC ±0.1
- 3 PLC ±-
- 4 PLC ±-
- ANGLES ±-
- FINISH -

DWN 07MAR2017

RAGHAVENDRA.K

CHK 07MAR2017

P.PETER

APVD 07MAR2017

O.IEIJNSE

PRODUCT SPEC

108-133082

APPLICATION SPEC

114-133082

WEIGHT -

CUSTOMER DRAWING



TE Connectivity

NAME
LUMAWISE DRIVE TYPE Z50
0-10 V VERSION

SIZE CAGE CODE DRAWING NO RESTRICTED TO

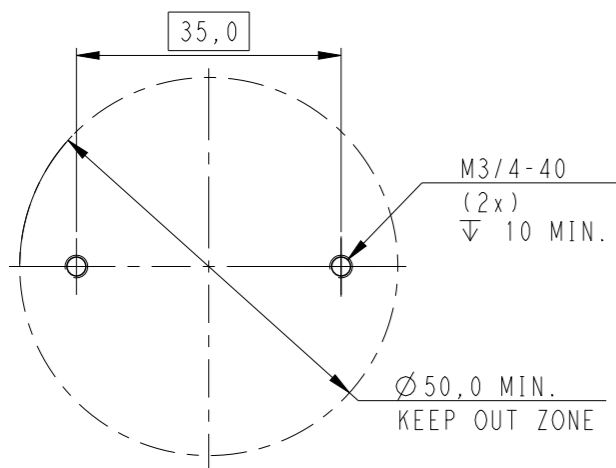
A3 00779 C-2316510 -

SCALE 5:1 SHEET 2 OF 3 REV C

REVISIONS

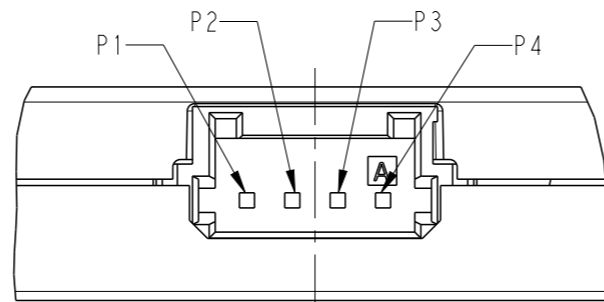
P	LTR	DESCRIPTION	DATE	DWN	APVD

RECOMMENDED DRILLING HOLE PATTERN



PIN LAYOUT

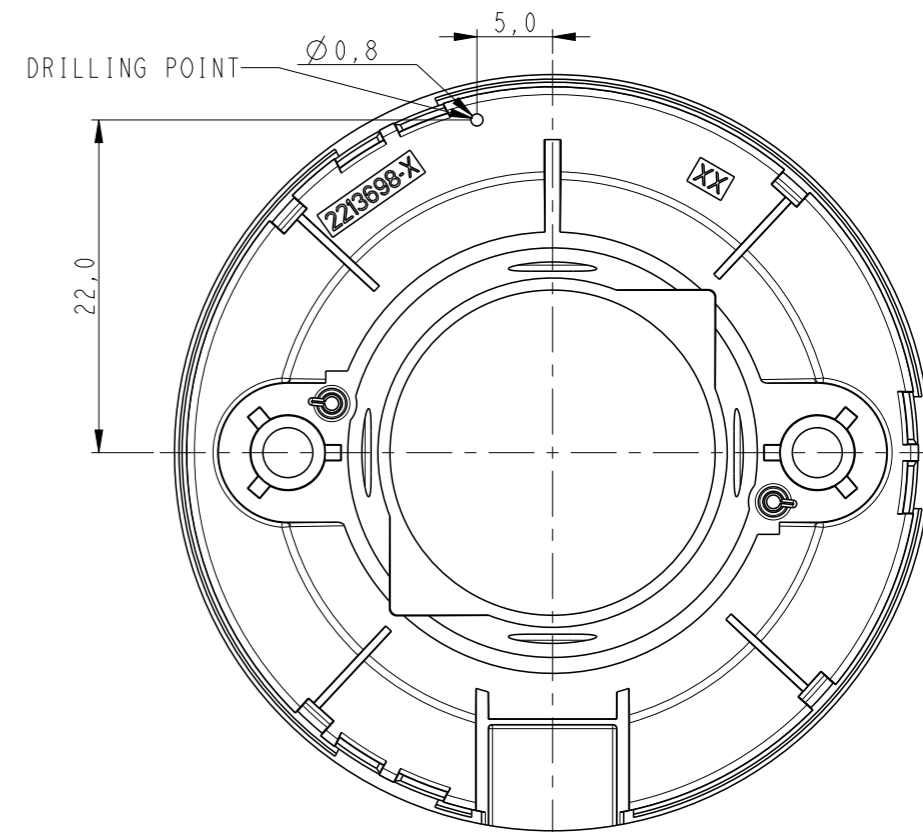
SCALE 4:1



P1	DIM (+)
P2	DIM (-)
P3	48VIN (+)
P4	48VIN (-) GND

DRILLING LOCATION FOR Tc TESTING

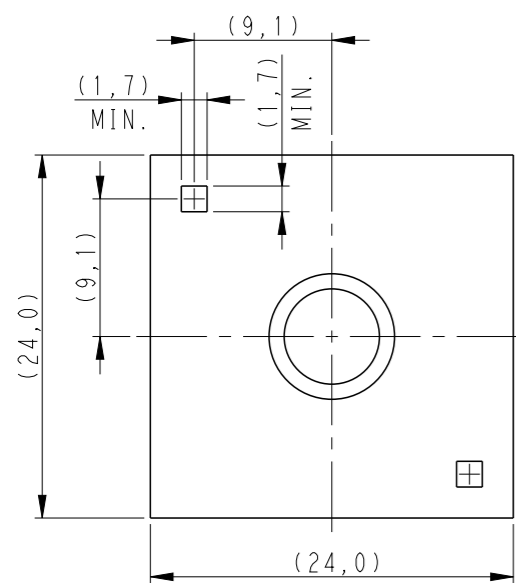
ONLY TOP COVER SHOWN



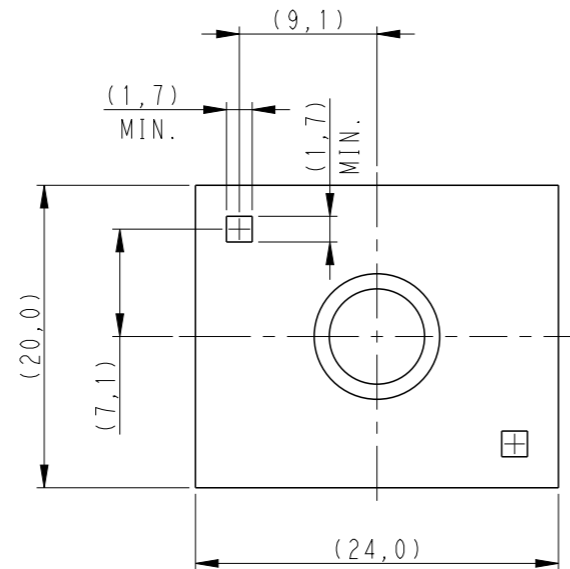
NOMINAL LED INFO:

THE SKETCH BELOW IS SHOWING THE ZHAGA BOOK 12 COB DIMENSIONS TO MATCH WITH THE LUMAWISE DRIVE TYPE Z50 LED HOLDER

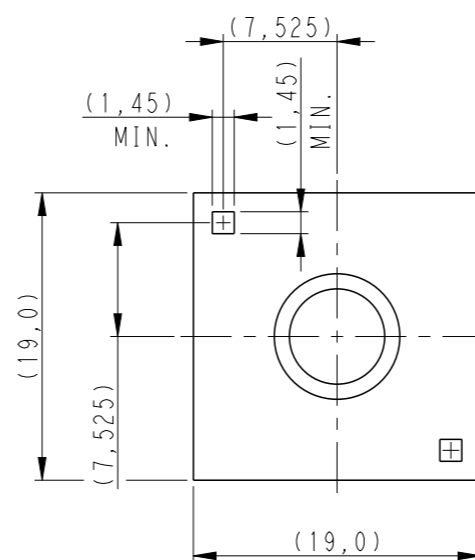
24x24 LAYOUT



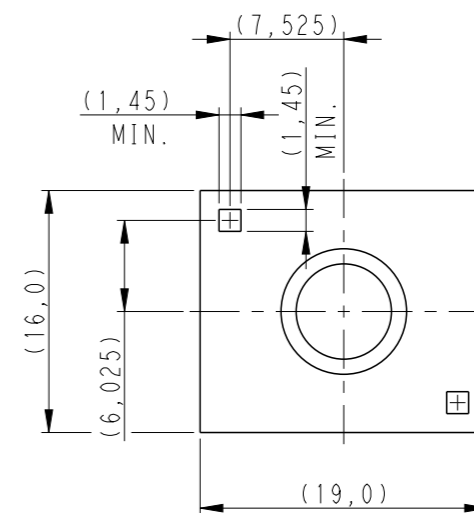
20x24 LAYOUT



19x19 LAYOUT



16x19 LAYOUT



THIS DRAWING IS A CONTROLLED DOCUMENT.

DWN 07MAR2017 RAGHAVENDRA.K

CHK P.PETER 07MAR2017

APVD O.IEIJNSE 07MAR2017

PRODUCT SPEC 108-133082

APPLICATION SPEC 114-133082

WEIGHT -

CUSTOMER DRAWING



TE Connectivity

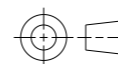
NAME LUMAWISE DRIVE TYPE Z50 0-10 V VERSION

SIZE A3 CAGE CODE 00779 DRAWING NO C-2316510 RESTRICTED TO -

SCALE 2:1 SHEET 3 OF 3 REV C

DIMENSIONS:

mm



TOLERANCES UNLESS OTHERWISE SPECIFIED:

0 PLC	±-
1 PLC	±0.2
2 PLC	±0.1
3 PLC	±-
4 PLC	±-
ANGLES	±-
FINISH	-

MATERIAL SEE NOTES

X-ON Electronics

Largest Supplier of Electrical and Electronic Components

Click to view similar products for [LED Lighting Mounting Accessories](#) category:

Click to view products by [TE Connectivity](#) manufacturer:

Other Similar products are found below :

[C16142_HEKLA-SOCKET-K](#) [3SU1401-1BG20-1AA0](#) [3SU1900-0BC31-0NB0](#) [ES16-RT](#) [1SFA616921R2042](#) [1SFA616921R2131](#)
[1SFA616921R2133](#) [1SFA616921R2143](#) [1SFA611621R1093](#) [B8910020](#) [D3980022](#) [E3990022](#) [E3990040](#) [CABI12 E BK 1M SET PRM](#)
[FLAT8 H/U BK 1M SET PRM](#) [BEGTIN12 J/S BK 1M SET PRM](#) [1-2213678-6](#) [C16791_CLAMP-Z45-A](#) [F17250_SOLDER-CLIP-A](#) [CM22-](#)
[4-20MA](#) [CM22-R10K-MT](#) [CM22-R1K](#) [CM22-R50K](#) [CM22-R5K-MT](#) [CM22-SLR](#) [10465](#) [M22-A](#) [M22-CK11](#) [M22-CK20](#) [M22G-XGPV](#)
[M22-K01](#) [M22-LCH-W](#) [M22-LC-R](#) [M22-LED230-R](#) [M22-LED230-W](#) [M22-LEDC230-G](#) [M22-LEDC-G](#) [M22-LEDC-W](#) [M22-LED-G](#)
[M22-LED-W](#) [M22-L-G](#) [M22-LH-G](#) [M22-LH-R](#) [M22-LH-W](#) [M22-L-R](#) [M22-L-W](#) [M22-L-X](#) [M22-MS](#) [M22-R10K](#) [M22-R1K](#)