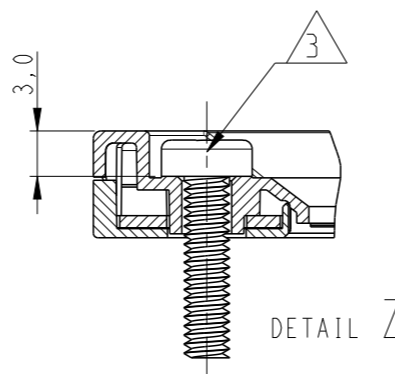
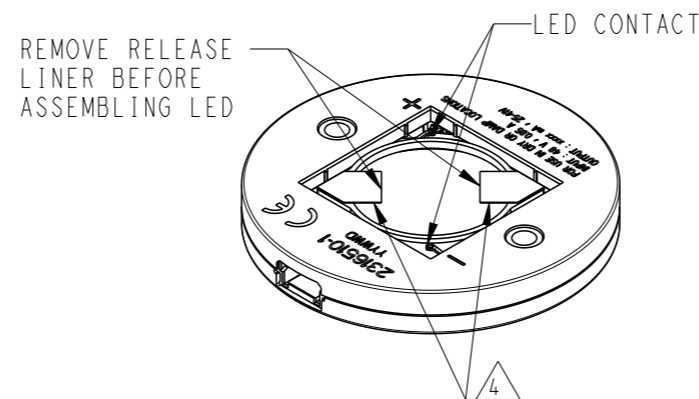
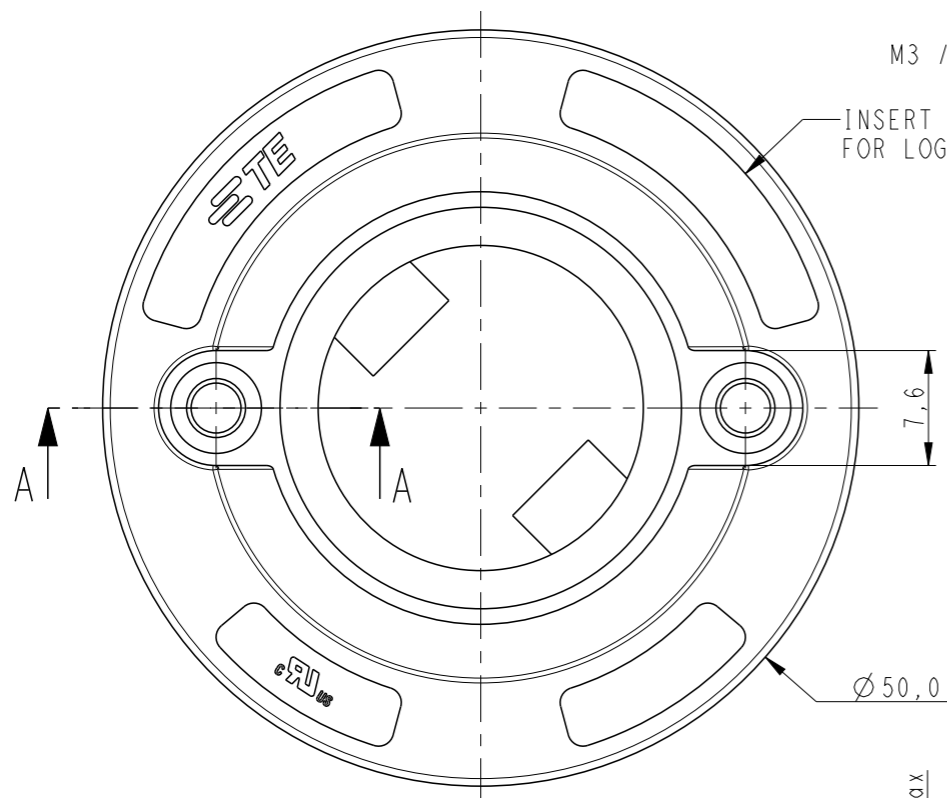


REVISIONS

| P | LTR | DESCRIPTION | DATE | DWN | APVD |
|---|-----|---------------------------|-----------|-----|------|
| C | | REVISED PER ECR-19-014834 | 23SEP2019 | RS | MG |

NOTES:

- MATERIALS:
 HOUSING: GLASS FILLED PBT, HALOGEN FREE FLAME RETARDANT
 COLOR : NATURAL
 CONTACTS: GOLD PLATED COPPER ALLOY
- PRODUCT COMPLIES WITH RESTRICTION ON HAZARDOUS SUBSTANCES DIRECTIVE 2011/65/EU
- SCREW TO BE USED - PAN HEAD M3, #4-40, LENGTH 12mm MIN. RECOMMENDED SCREW TORQUE: 0.4 - 0.6 Nm
- LED RETENTION ON 2 CORNERS WITH DOUBLE SIDED ADHESIVE TAPE.
- MATING CONNECTOR TE PART NO: 353908-4 OR 6-353908-4
- DIMENSIONS SHOWN ARE IN MATED POSITION WITH LED
- SEE SHEET 3 FOR RECOMMENDED PIN LAYOUT & ADDITIONAL INFORMATION
- ELECTRICAL RATINGS:
 - USE WITH A 48V DC CONSTANT VOLTAGE CLASS 2 POWER SUPPLY, ±10% TOLERANCE
 - LED FORWARD VOLTAGE HAVE THE FOLLOWING RANGE: 25 - 41VDC
- FOR COB-TO-HOLDER CROSS REFERENCE, REFER TO APPLICATION SPECIFICATION 114-32208



SECTION A-A

DETAIL Z

2316510-1
 YYWWD

Ø 3,3
 (2x)

FOR USE IN DRY OR DAMP LOCATIONS
 INPUT : 48 V / 0,85 A
 OUTPUT : xxxx mA / 25-41V

PRODUCT DATA SHEET I-1773935-6
 FOR ADDITIONAL INFORMATION

| CURRENT (mA) | LED TYPE | DESCRIPTION | WEIGHT (g) | PART NO |
|--------------|----------|----------------------|------------|-------------|
| 1050 | 16 x 19 | 0-10 V, 1.05A, 16x19 | 9.56 | 3-2316510-4 |
| | 19 x 19 | 0-10 V, 1.05A, 19x19 | 9.46 | 3-2316510-3 |
| | 20 x 24 | 0-10 V, 1.05A, 20x24 | 9.41 | 3-2316510-2 |
| | 24 x 24 | 0-10 V, 1.05A, 24x24 | 9.17 | 3-2316510-1 |
| 700 | 16 x 19 | 0-10 V, 0.7A, 16x19 | 9.56 | 2-2316510-4 |
| | 19 x 19 | 0-10 V, 0.7A, 19x19 | 9.46 | 2-2316510-3 |
| | 20 x 24 | 0-10 V, 0.7A, 20x24 | 9.41 | 2-2316510-2 |
| | 24 x 24 | 0-10 V, 0.7A, 24x24 | 9.17 | 2-2316510-1 |
| 500 | 16 x 19 | 0-10 V, 0.5A, 16x19 | 9.56 | 1-2316510-4 |
| | 19 x 19 | 0-10 V, 0.5A, 19x19 | 9.46 | 1-2316510-3 |
| | 20 x 24 | 0-10 V, 0.5A, 20x24 | 9.41 | 1-2316510-2 |
| | 24 x 24 | 0-10 V, 0.5A, 24x24 | 9.17 | 1-2316510-1 |
| 350 | 16 x 19 | 0-10 V, 0.35A, 16x19 | 9.56 | 2316510-4 |
| | 19 x 19 | 0-10 V, 0.35A, 19x19 | 9.46 | 2316510-3 |
| | 20 x 24 | 0-10 V, 0.35A, 20x24 | 9.41 | 2316510-2 |
| | 24 x 24 | 0-10 V, 0.35A, 24x24 | 9.17 | 2316510-1 |

THIS DRAWING IS A CONTROLLED DOCUMENT.

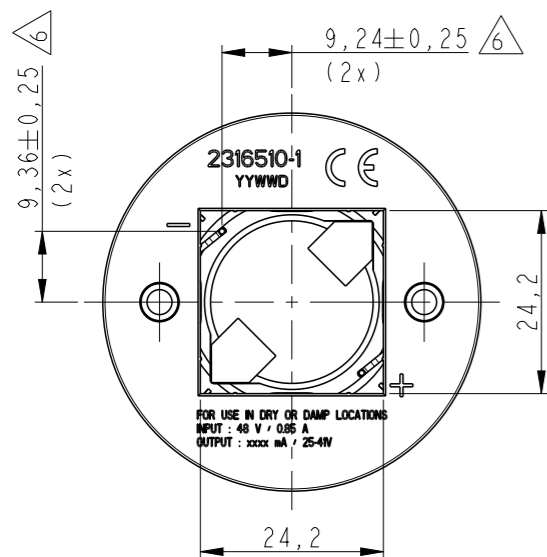
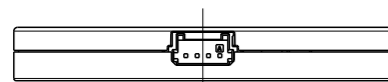
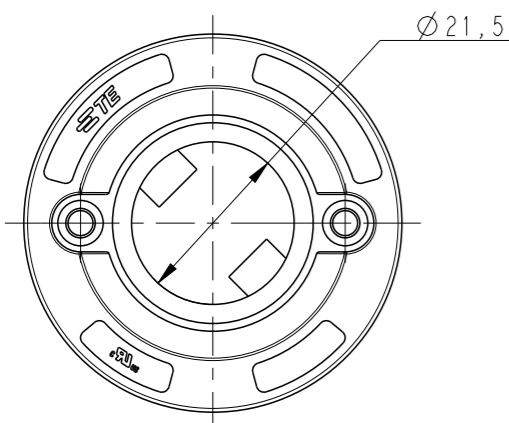
| | |
|-----------------------|--|
| DIMENSIONS: mm | TOLERANCES UNLESS OTHERWISE SPECIFIED: |
| | 0 PLC ±- |
| | 1 PLC ±0.2 |
| | 2 PLC ±0.1 |
| | 3 PLC ±- |
| | 4 PLC ±- |
| | ANGLES ±- |
| MATERIAL SEE NOTES | FINISH - |

| | |
|-----------------------------------|--|
| DWN RAGHAVENDRA.K 07MAR2017 | TE Connectivity NAME LUMAWISE DRIVE TYPE Z50 0-10 V VERSION |
| CHK P.PETER 07MAR2017 | |
| APVD O.IEIJNSE 07MAR2017 | |
| PRODUCT SPEC 108-133082 | |
| APPLICATION SPEC 114-133082 | RESTRICTED TO |
| WEIGHT - | SIZE A3 |
| CUSTOMER DRAWING | CAGE CODE 00779 |
| | DRAWING NO C-2316510 |
| | SCALE 5:1 |
| | SHEET 1 OF 3 |
| | REV C |

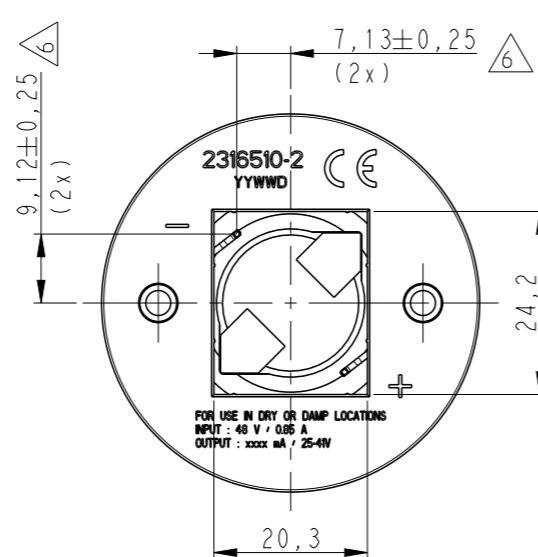
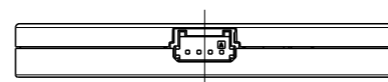
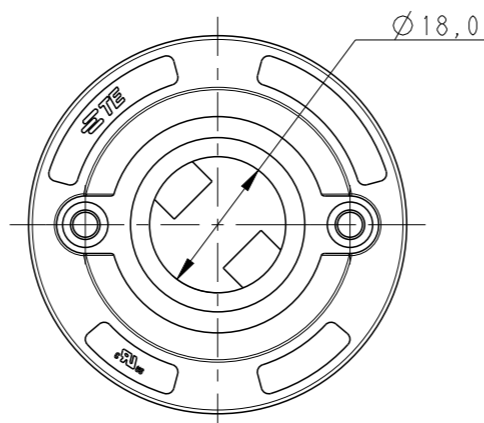
REVISIONS

| P | LTR | DESCRIPTION | DATE | DWN | APVD |
|---|-----|-------------|------|-----|------|
| | | | | | |

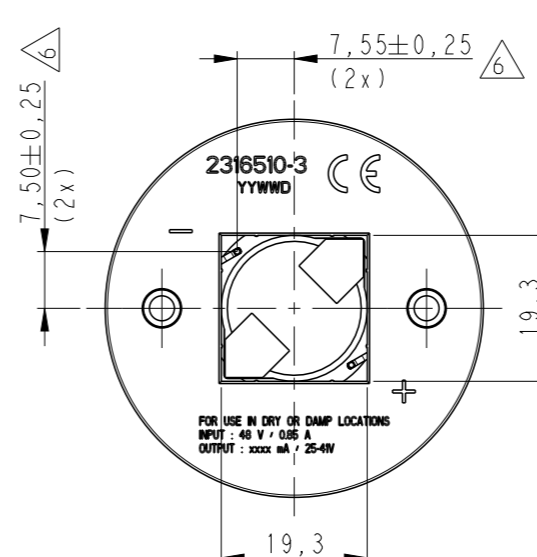
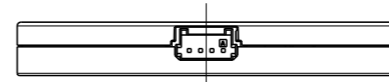
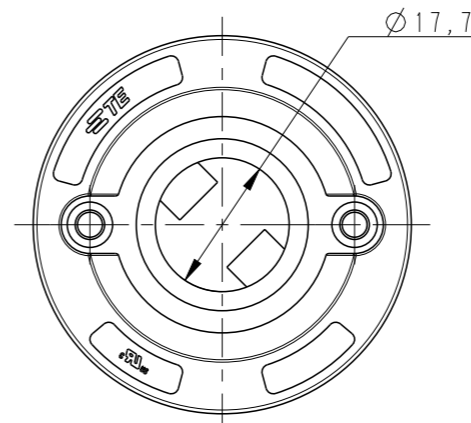
AS SHOWN 2316510-1
SCALE 1:1



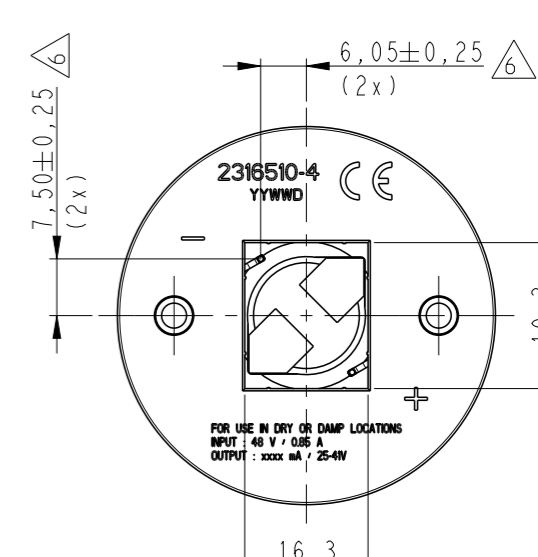
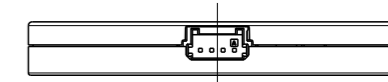
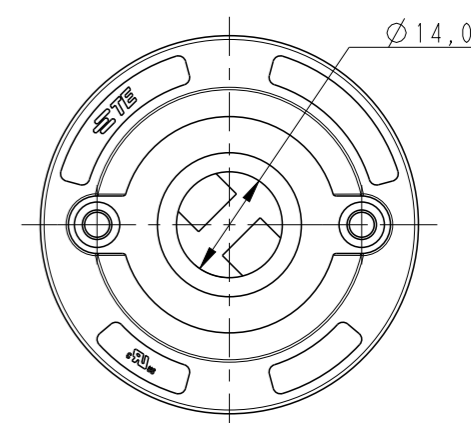
AS SHOWN 2316510-2
SCALE 1:1



AS SHOWN 2316510-3
SCALE 1:1

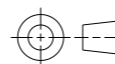


AS SHOWN 2316510-4
SCALE 1:1



THIS DRAWING IS A CONTROLLED DOCUMENT.

DIMENSIONS:
mm



MATERIAL
SEE NOTES

TOLERANCES UNLESS OTHERWISE SPECIFIED:

- 0 PLC ±-
- 1 PLC ±0.2
- 2 PLC ±0.1
- 3 PLC ±-
- 4 PLC ±-
- ANGLES ±-
- FINISH ±-

DWN 07MAR2017

RAGHAVENDRA.K

CHK 07MAR2017

P.PETER

APVD 07MAR2017

O.IEIJNSE

PRODUCT SPEC

108-133082

APPLICATION SPEC

114-133082

WEIGHT

-

CUSTOMER DRAWING

NAME
LUMAWISE DRIVE TYPE Z50
0-10 V VERSION

SIZE CAGE CODE DRAWING NO RESTRICTED TO

A3 00779 C-2316510 -

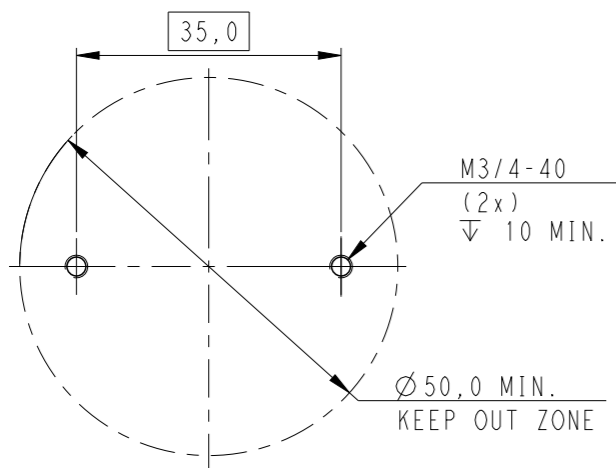
SCALE 5:1 SHEET 2 OF 3 REV C



REVISIONS

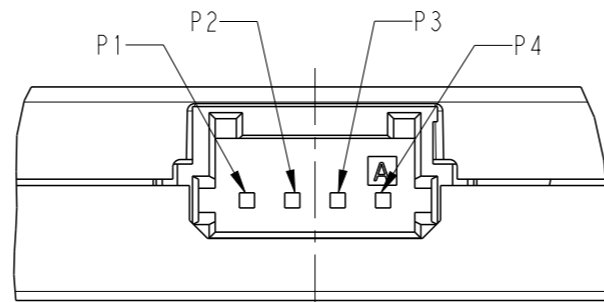
| P | LTR | DESCRIPTION | DATE | DWN | APVD |
|---|-----|-------------|------|-----|------|
| | | | | | |

RECOMMENDED DRILLING HOLE PATTERN



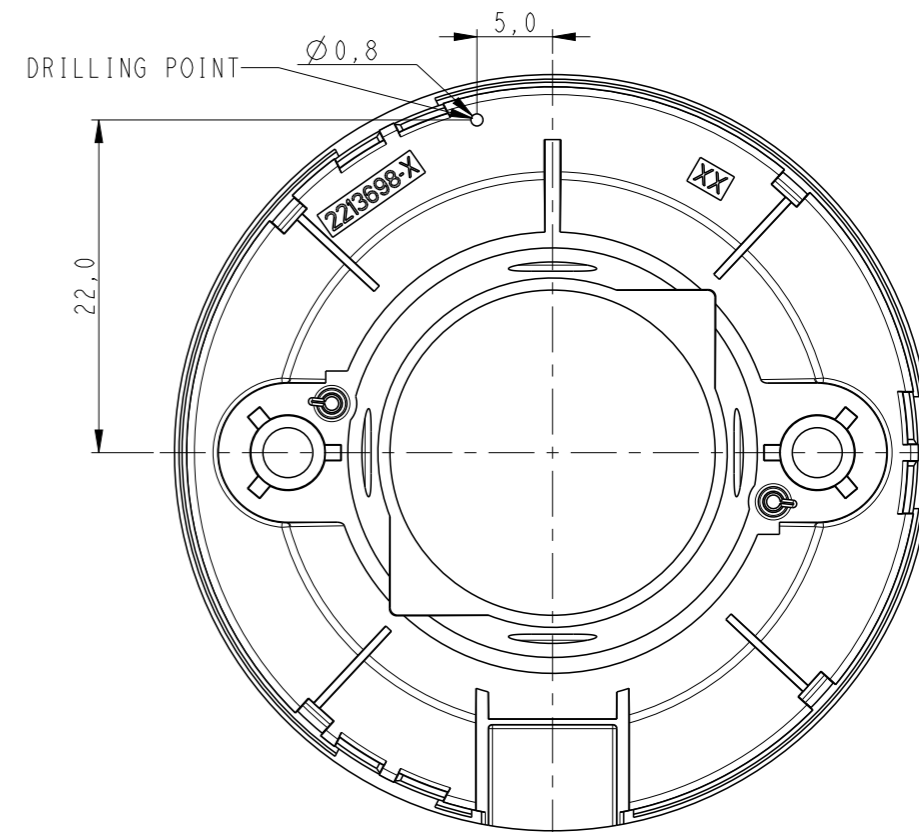
PIN LAYOUT

SCALE 4:1



| | |
|----|---------------|
| P1 | DIM (+) |
| P2 | DIM (-) |
| P3 | 48VIN (+) |
| P4 | 48VIN (-) GND |

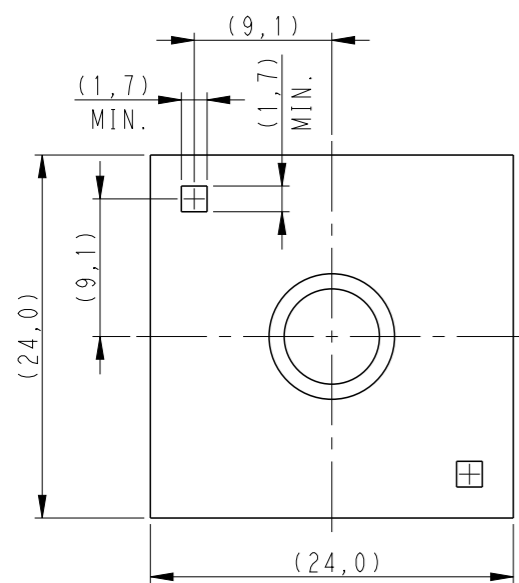
DRILLING LOCATION FOR T_c TESTING
ONLY TOP COVER SHOWN



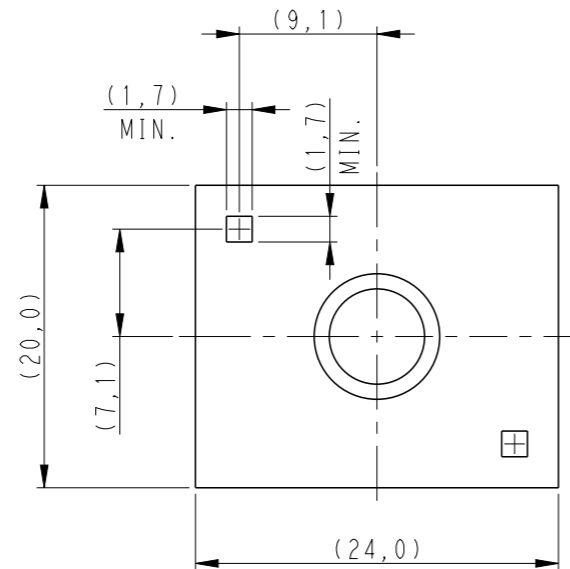
NOMINAL LED INFO:

THE SKETCH BELOW IS SHOWING THE ZHAGA BOOK 12 COB DIMENSIONS TO MATCH WITH THE LUMAWISE DRIVE TYPE Z50 LED HOLDER

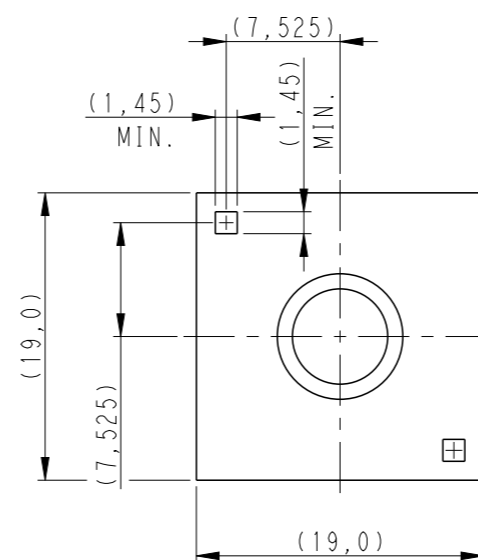
24x24 LAYOUT



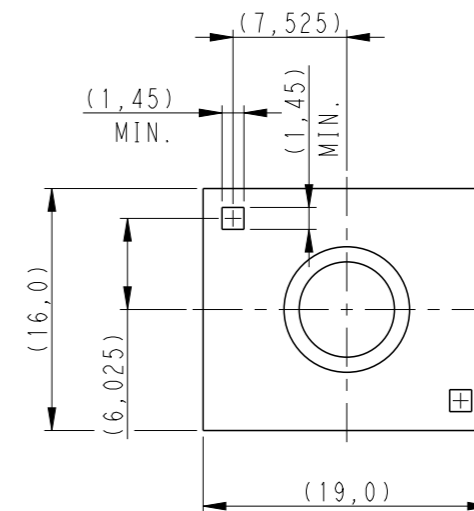
20x24 LAYOUT



19x19 LAYOUT



16x19 LAYOUT



THIS DRAWING IS A CONTROLLED DOCUMENT.

DWN 07MAR2017

RAGHAVENDRA.K

CHK P.PETER 07MAR2017

APVD O.IEIJNSE 07MAR2017

PRODUCT SPEC

108-133082

APPLICATION SPEC

114-133082

WEIGHT -

CUSTOMER DRAWING

LUMAWISE DRIVE TYPE Z50
0-10 V VERSION



TE Connectivity

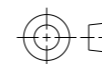
NAME SIZE CAGE CODE DRAWING NO RESTRICTED TO

A3 00779 C-2316510 -

SCALE 2:1 SHEET 3 OF 3 REV C

DIMENSIONS:

mm



TOLERANCES UNLESS OTHERWISE SPECIFIED:

| | |
|--------|------|
| 0 PLC | ±- |
| 1 PLC | ±0.2 |
| 2 PLC | ±0.1 |
| 3 PLC | ±- |
| 4 PLC | ±- |
| ANGLES | ±- |
| FINISH | - |

MATERIAL SEE NOTES

X-ON Electronics

Largest Supplier of Electrical and Electronic Components

Click to view similar products for [LED Lighting Mounting Accessories](#) category:

Click to view products by [TE Connectivity](#) manufacturer:

Other Similar products are found below :

[C16142_HEKLA-SOCKET-K](#) [3SU1401-1BG20-1AA0](#) [3SU1900-0BC31-0NB0](#) [ES16-RT](#) [1SFA616921R2042](#) [1SFA616921R2131](#)
[1SFA616921R2133](#) [1SFA616921R2143](#) [1SFA611621R1093](#) [90100002](#) [B8910020](#) [D3980022](#) [E3990022](#) [E3990040](#) [V4840019](#) [V4850019](#)
[CABI12 E BK 1M SET PRM](#) [FLAT8 H/U BK 1M SET PRM](#) [BEGTIN12 J/S BK 1M SET PRM](#) [1-2213678-6](#) [C16791_CLAMP-Z45-A](#)
[F17250_SOLDER-CLIP-A](#) [CM22-4-20MA](#) [CM22-R10K-MT](#) [CM22-R1K](#) [CM22-R50K](#) [CM22-R5K-MT](#) [CM22-SLR](#) [10465](#) [M22-A](#) [M22-](#)
[CK11](#) [M22-CK20](#) [M22G-XGPV](#) [M22-K01](#) [M22-LCH-W](#) [M22-LC-R](#) [M22-LED230-R](#) [M22-LED230-W](#) [M22-LEDC230-G](#) [M22-LEDC-G](#)
[M22-LEDC-W](#) [M22-LED-G](#) [M22-LED-W](#) [M22-L-G](#) [M22-LH-G](#) [M22-LH-R](#) [M22-LH-W](#) [M22-L-R](#) [M22-L-W](#) [M22-L-X](#)