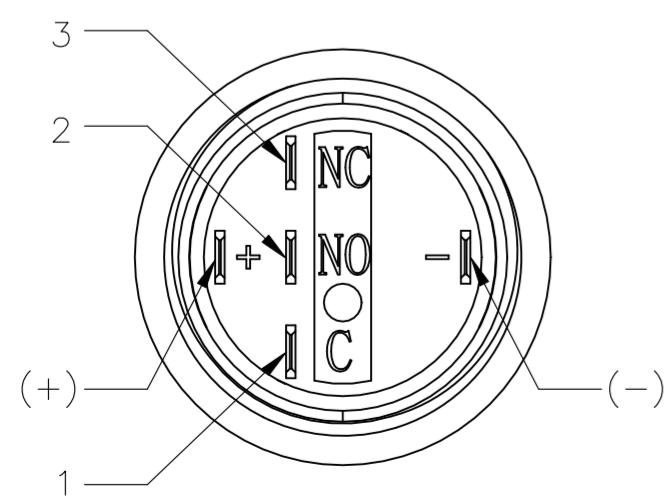
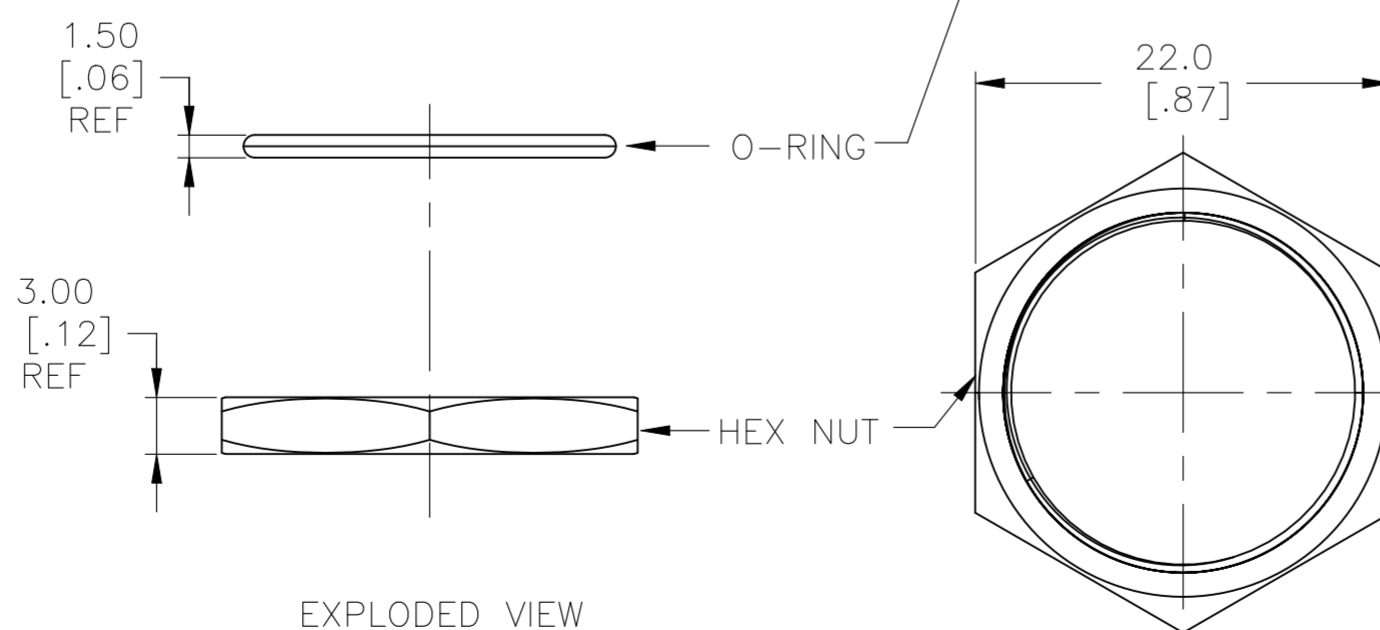
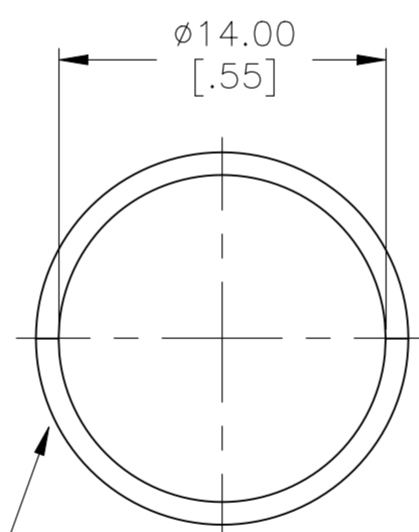
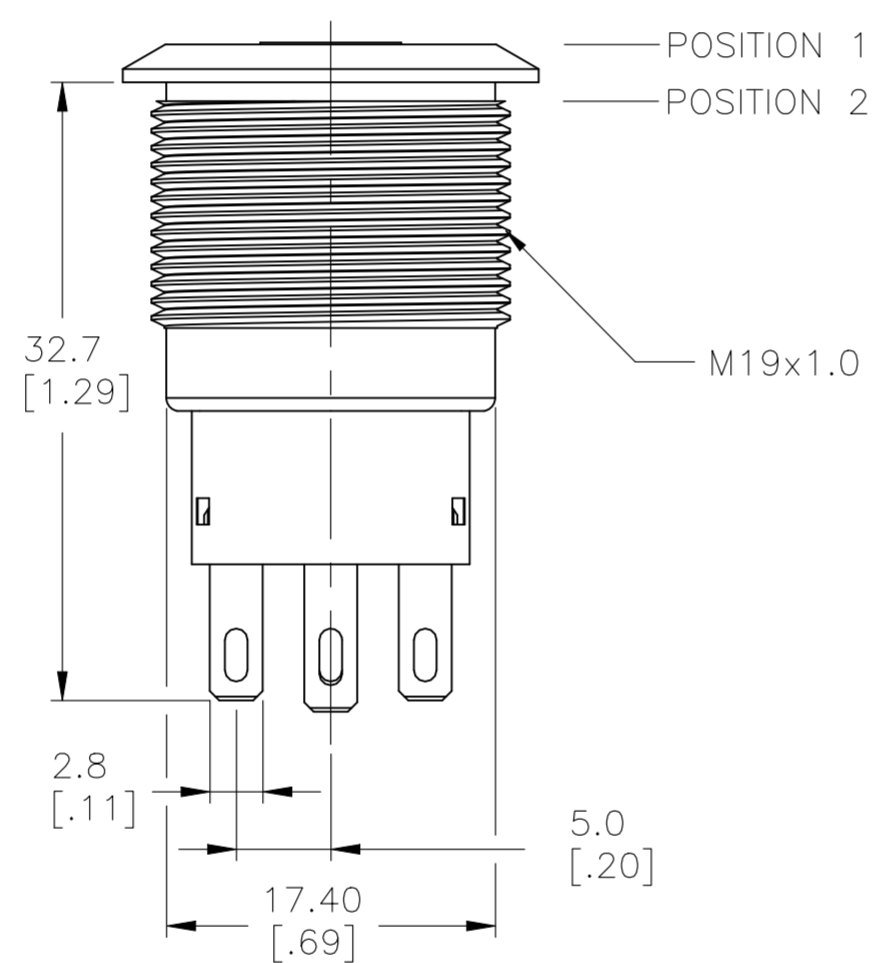
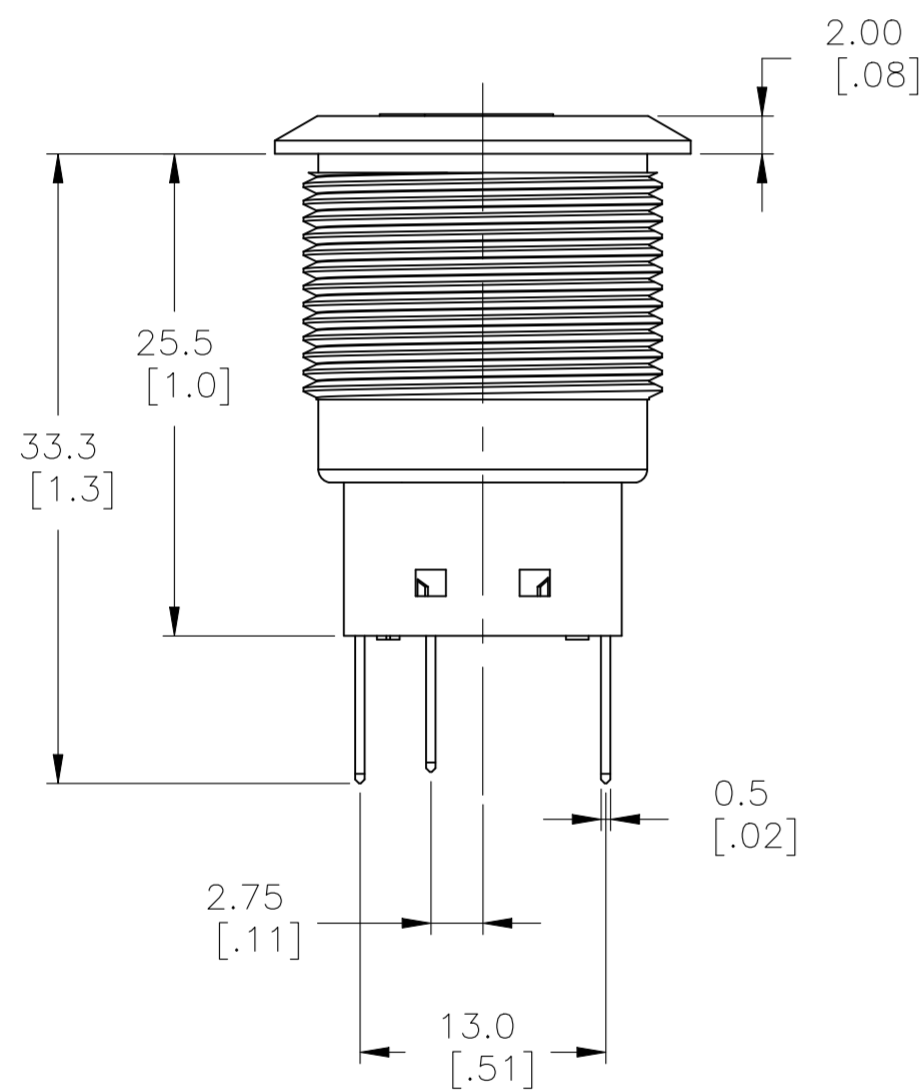
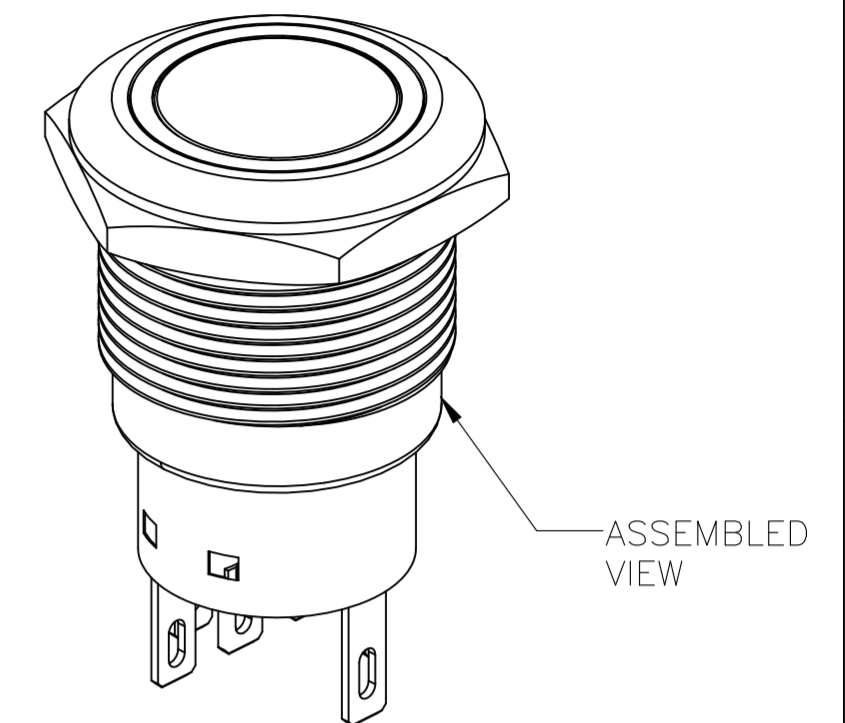
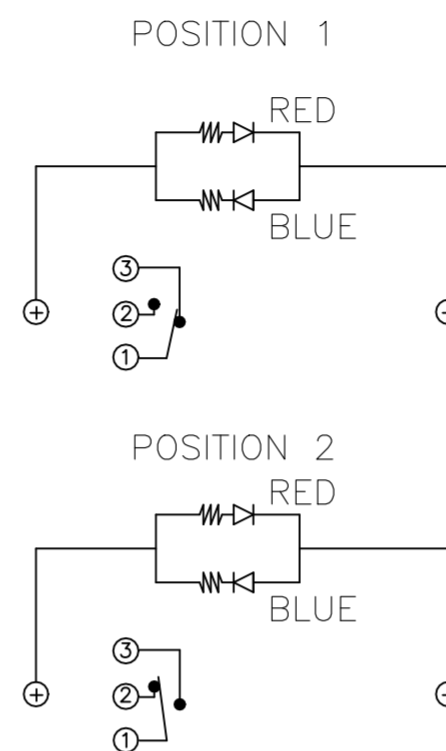
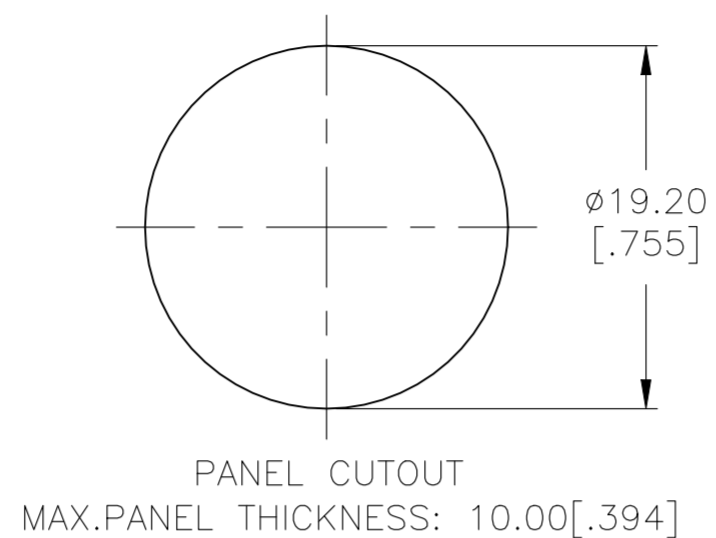
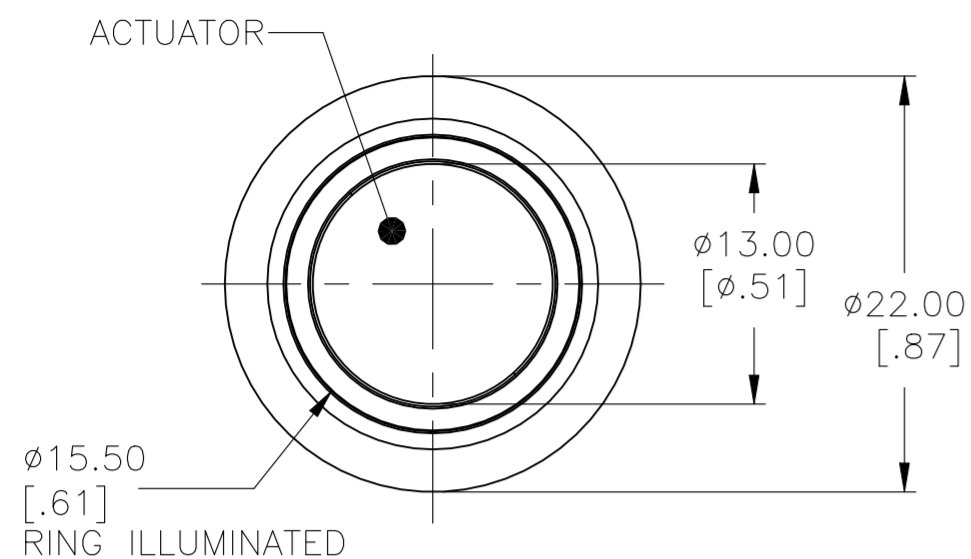


THIS DRAWING IS UNPUBLISHED. RELEASED FOR PUBLICATION
 © COPYRIGHT - By - ALL RIGHTS RESERVED.

REVISIONS					
P	LTR	DESCRIPTION	DATE	DWN	APVD
A1		ECO-21-006709	18JUN2021	RK	AS

SINGLE POLE SWITCH WITH DUAL COLOR LED's



SPECIFICATION:
 CONTACT RATING: SILVER; 3A @ 250VAC RESISTIVE
 GOLD; 0.4A @ 20VDC OR PEAK AC
 INSULATION RESISTANCE: 1,000MΩ MIN AT 500VDC
 DIELECTRIC STRENGTH: 2,000V RMS @ SEA LEVEL
 CONTACT RESISTANCE: 50mΩ MAX @ 1A 12VDC (INITIAL VALUE), SOLDER TERMINALS
 100mΩ MAX @ 1A 12VDC (INITIAL VALUES), FLYING LEADS.
 ELECTRICAL LIFE CYCLES: 50,000 MAKE AND BREAK CYCLES AT FULL LOAD.
 ACTUATION FORCE: SP: 2.5±1 N, DP: 3.5±1 N
 ACTUATION TRAVEL: APPROXIMATELY 3.2mm
 SEALED PER IP67, IK10
 OPERATING TEMPERATURE: -20°C TO +55°C
 MECHANICAL LIFECYCLES: MOMENTARY; 1,000,000 CYCLES
 LOCKING; 500,000 CYCLES
 HARDWARE TORQUE: 5-14 N-m.

MATERIALS
 BUSHING: STAINLESS STEEL,
 BASE: PBT (UL 94-V0), PC (UL 94-V2),
 ACTUATOR: STAINLESS STEEL, PC
 O-RING: SILICONE,
 TERMINAL/CONTACT: COPPER BASE, SILVER/GOLD PLATED,
 HEX NUT: BRASS BASE, NICKEL PLATED,
 WIRE:UL3385.
 INNER ASSEMBLY: POM/PA66
 SPRING: SPRING STEEL
 SEALING: SILICONE

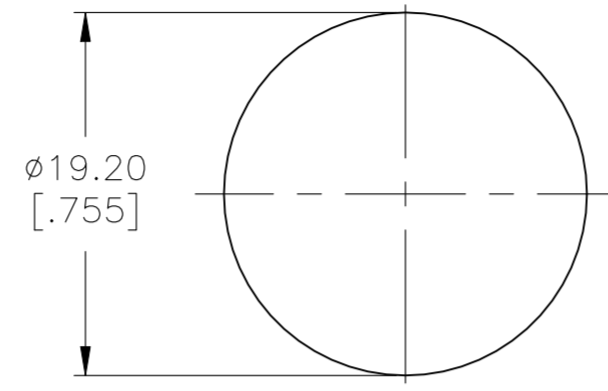
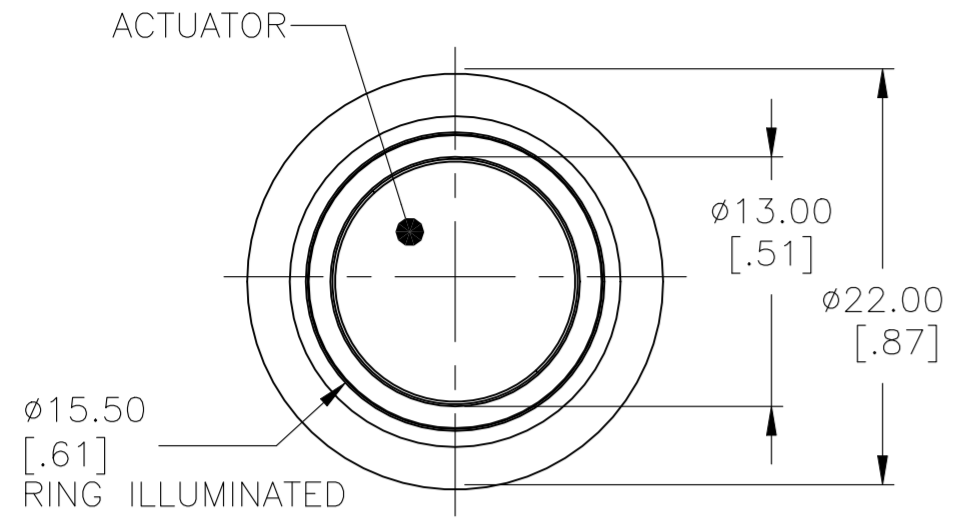
1. ALL MATERIAL AND FINISHES SHALL COMPLY WITH EU DIRECTIVE 2002/95/EC OF 27JAN2003(ROHS).

THIS DRAWING IS A CONTROLLED DOCUMENT.		DWN 13MAR2017 SHIVAKUMAR S S	STE TE Connectivity	
DIMENSIONS: mm [INCHES]		CHK 13MAR2017 SANJAY SHINDIKAR		
TOLERANCES UNLESS OTHERWISE SPECIFIED:		APVD 13MAR2017 SANJAY SHINDIKAR	NAME ANTI-VANDAL SWITCH 19mm DUAL COLOR LED SOLDER TERMINALS, FLYING LEADS, WITH MOVING RING	
0 PLC ± - 1 PLC ± 0.4[.016] 2 PLC ± 0.25[.010] 3 PLC ± - 4 PLC ± - ANGLES ± 2°		PRODUCT SPEC	SIZE CAGE CODE DRAWING NO RESTRICTED TO	
MATERIAL FINISH		APPLICATION SPEC	A2 00779	C=2316531
WEIGHT		WEIGHT	SCALE 1:1 SHEET 1 of 5 REV A1	
CUSTOMER DRAWING				

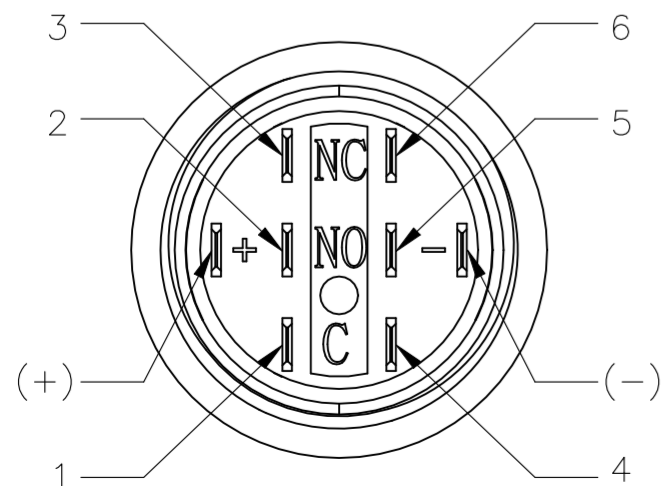
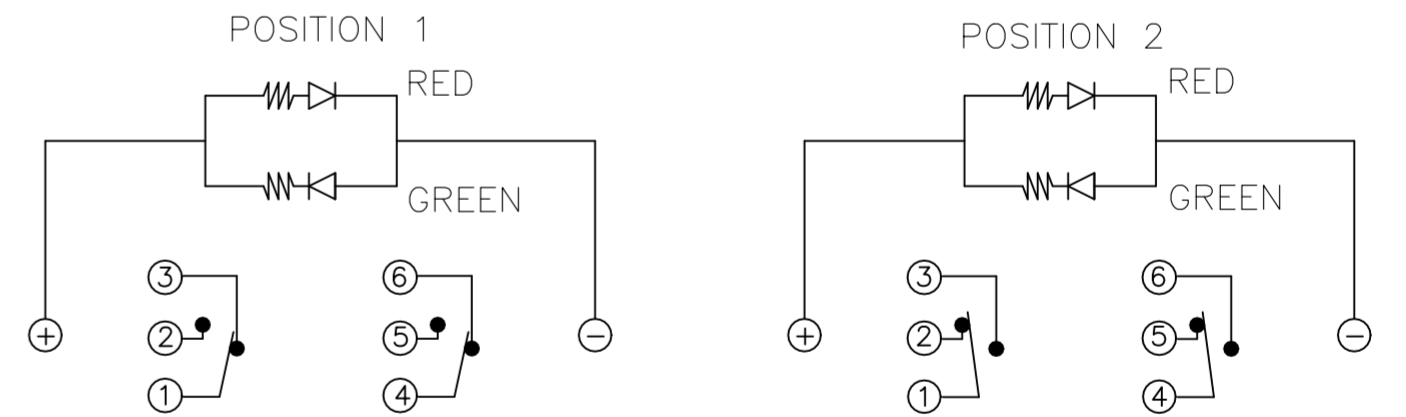
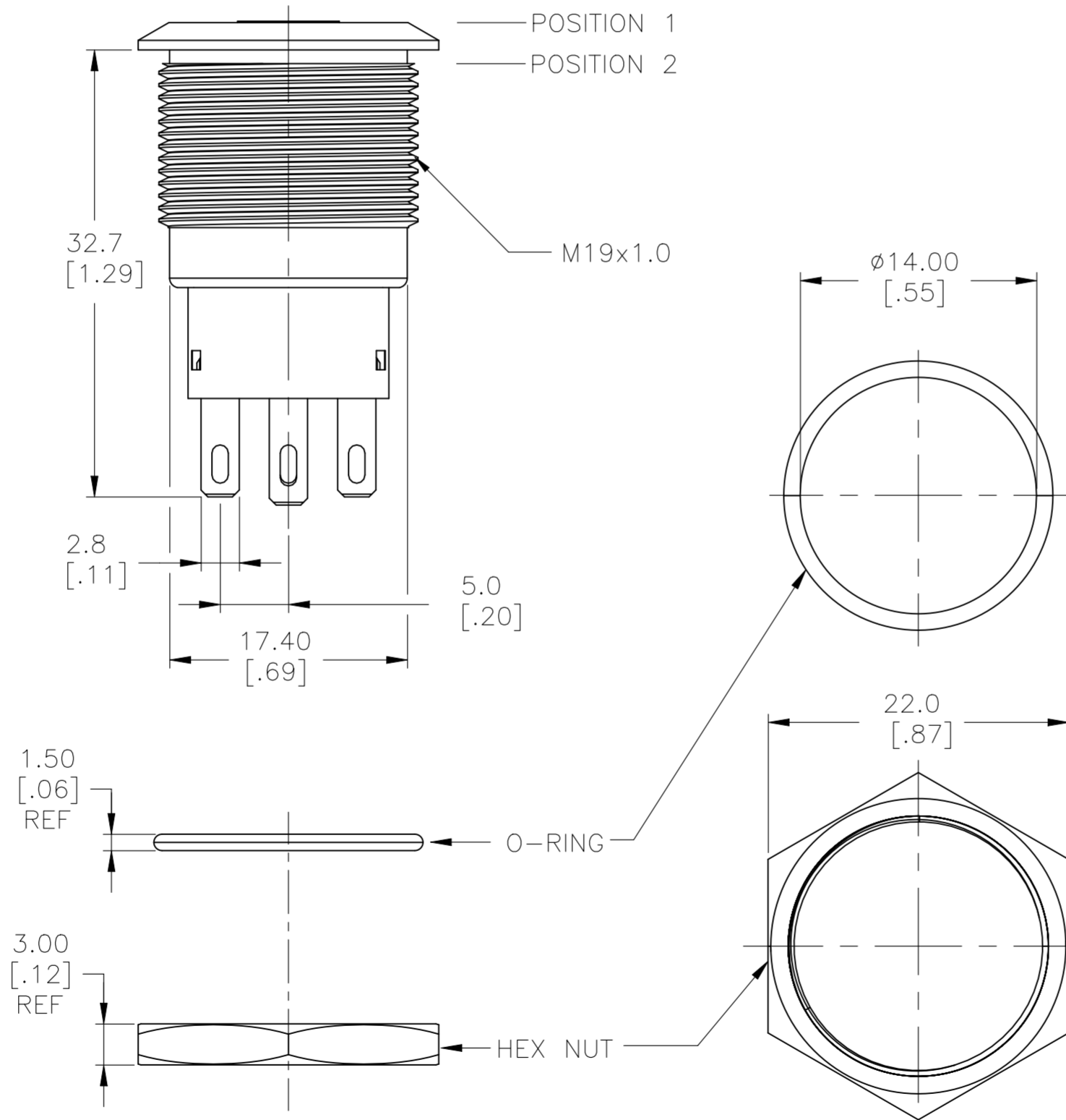
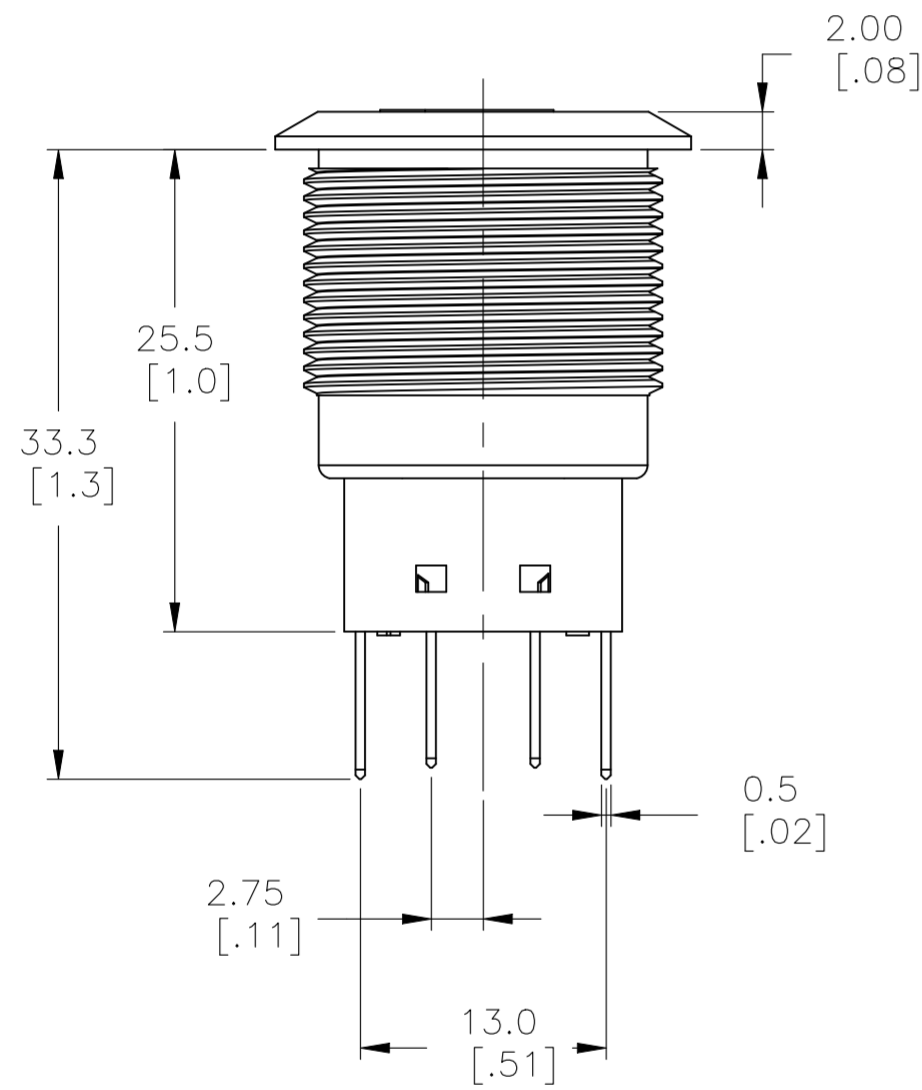
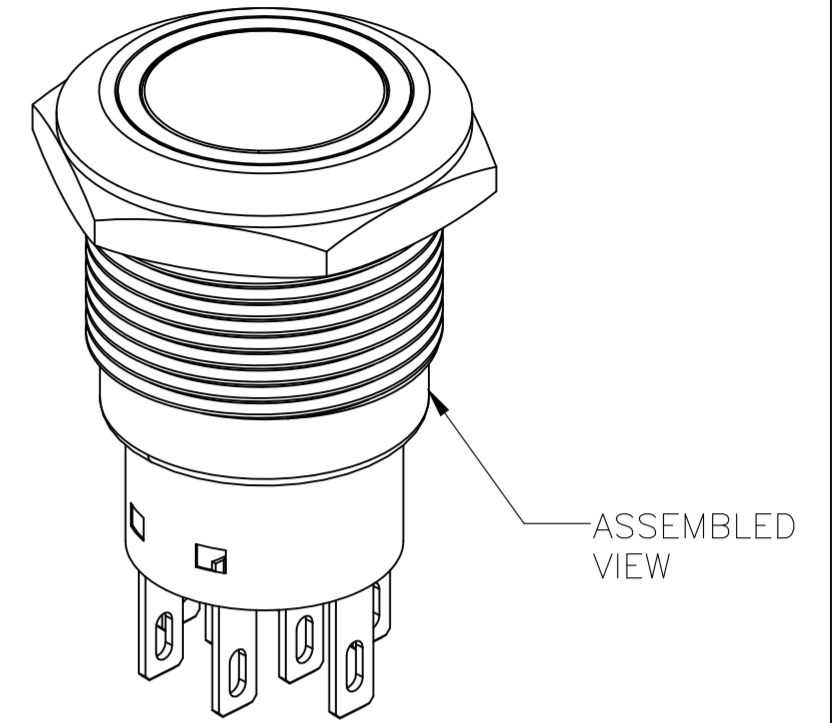
THIS DRAWING IS UNPUBLISHED. RELEASED FOR PUBLICATION
 © COPYRIGHT - By - ALL RIGHTS RESERVED.

REVISIONS					
P	LTR	DESCRIPTION	DATE	DWN	APVD
-	-	SEE SHEET 1	-	-	-

DOUBLE POLE SWITCH WITH DUAL COLOR LED'S



PANEL CUTOUT
 MAX.PANEL THICKNESS: 10.00 [.394]



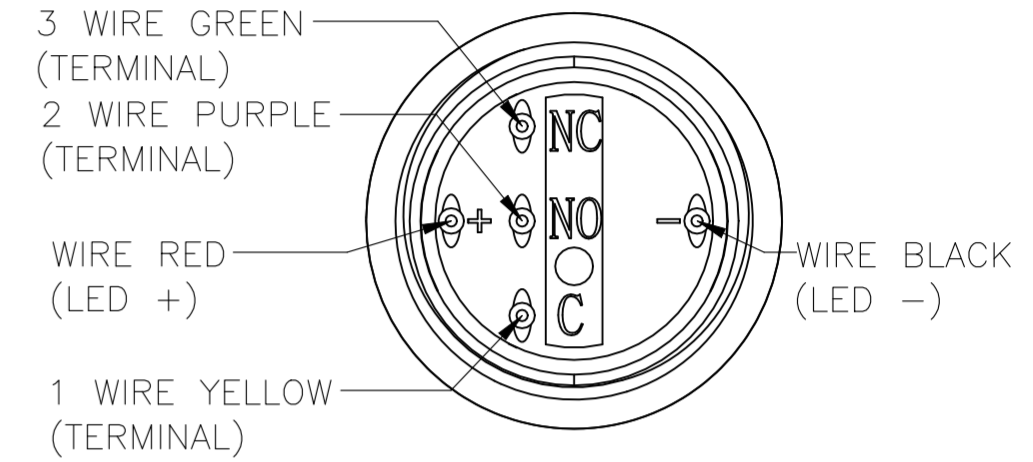
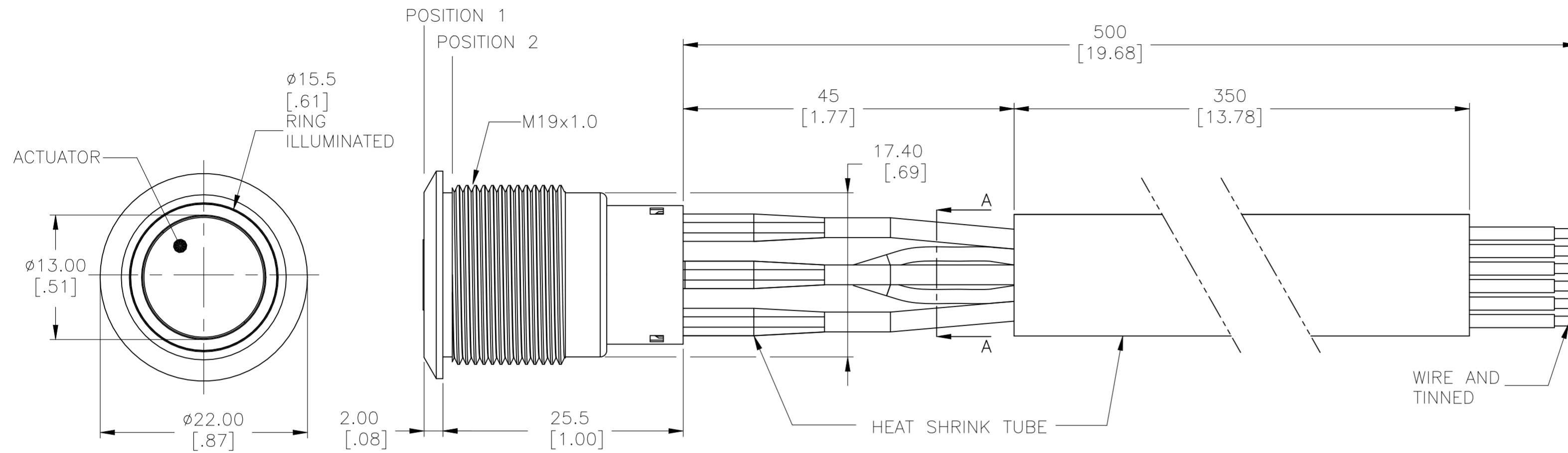
EXPLODED VIEW

THIS DRAWING IS A CONTROLLED DOCUMENT.		DWN 13MAR2017 SHIVAKUMAR S S	TE Connectivity	
DIMENSIONS: mm [INCHES]		CHK 13MAR2017 SANJAY SHINDIKAR		
TOLERANCES UNLESS OTHERWISE SPECIFIED:		APVD 13MAR2017 SANJAY SHINDIKAR	NAME ANTI-VANDAL SWITCH 19mm DUAL COLOR LED SOLDER TERMINALS, FLYING LEADS, WITH MOVING RING	
0 PLC ± -		PRODUCT SPEC	SIZE CAGE CODE DRAWING NO RESTRICTED TO	
1 PLC ± 0.4 [.016]		APPLICATION SPEC	A2 00779 C=2316531 -	
2 PLC ± 0.25 [.010]		WEIGHT	SCALE 1:1 SHEET 2 of 5 REV A1	
3 PLC ± -		CUSTOMER DRAWING		
4 PLC ± -				
ANGLES ± 2°				
FINISH				

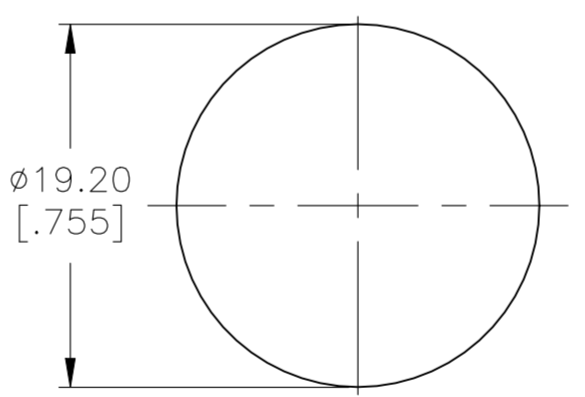
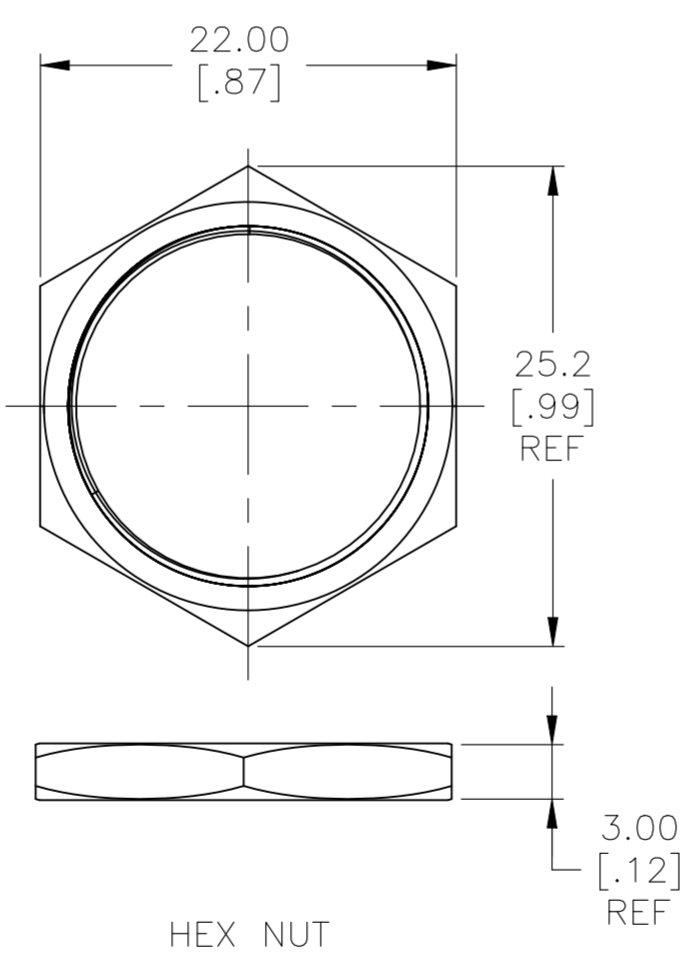
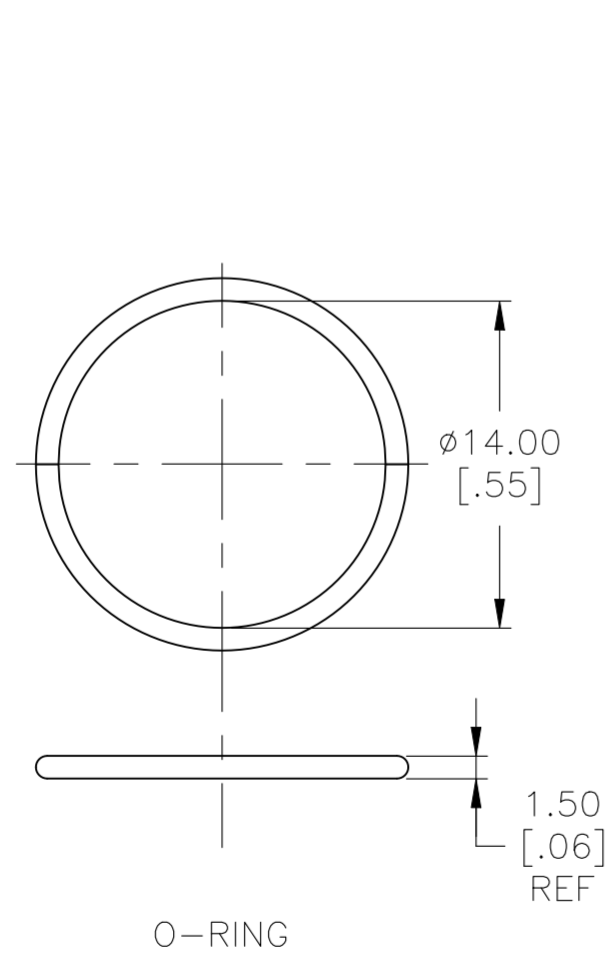
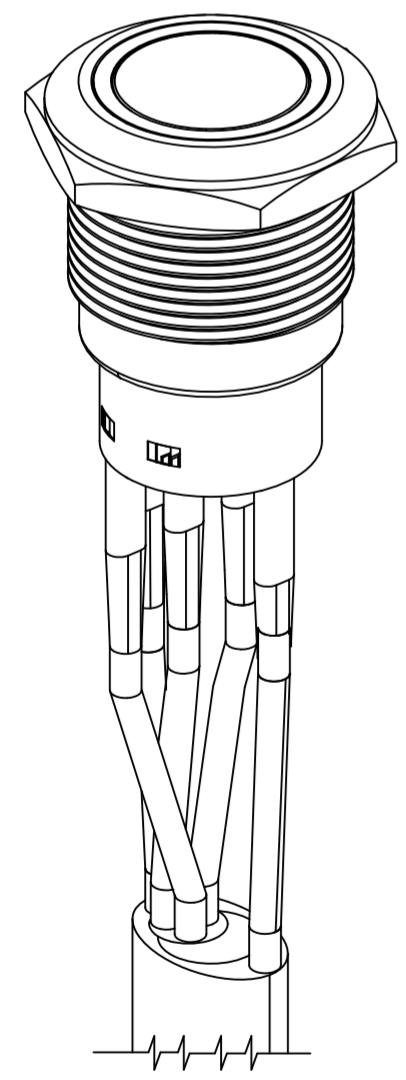
THIS DRAWING IS UNPUBLISHED. RELEASED FOR PUBLICATION
 © COPYRIGHT - By - ALL RIGHTS RESERVED.

REVISIONS					
P	LTR	DESCRIPTION	DATE	DWN	APVD
-	-	SEE SHEET 1	-	-	-

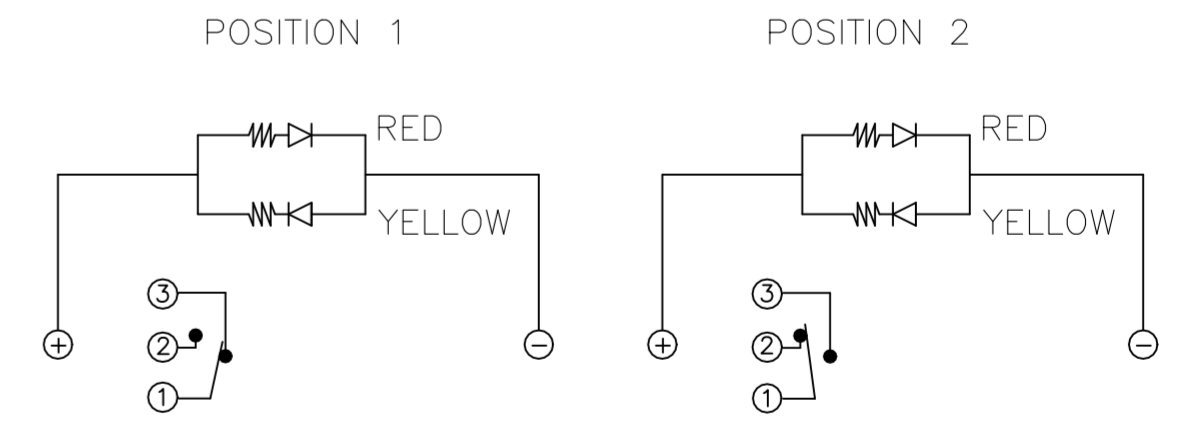
SINGLE POLE SWITCH WITH DUAL COLOR LED'S AND FLYING LEADS



WIRE=18AWG, 300V(BLACK,YELLOW/GREEN/RED/PURPLE)



PANEL CUTOUT
 MAX.PANEL THICKNESS: 10.00[.394]

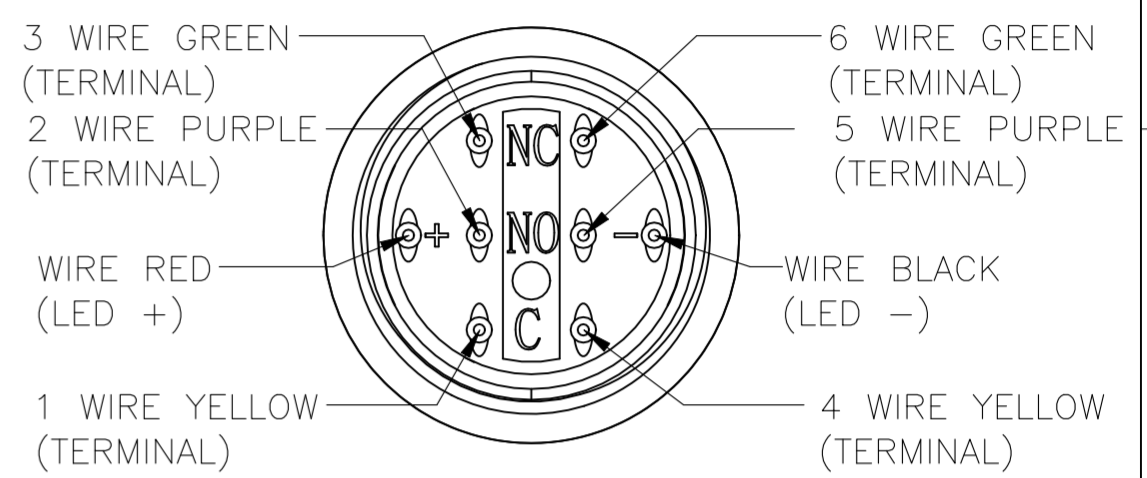
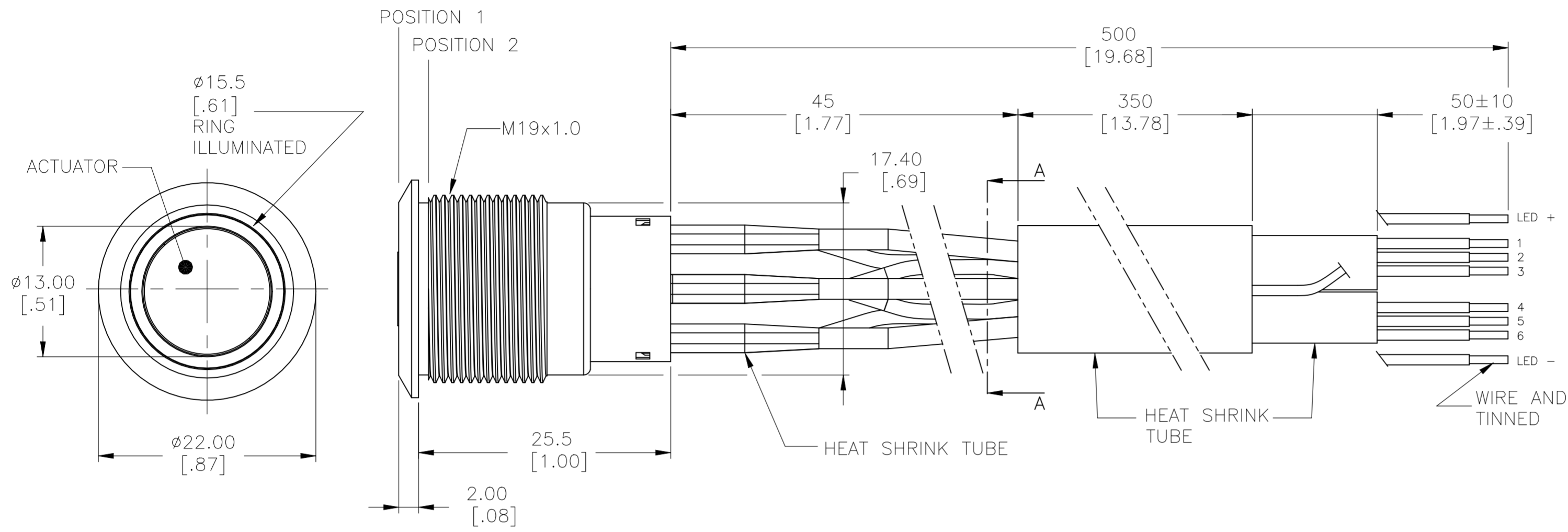


THIS DRAWING IS A CONTROLLED DOCUMENT.		DWN SHIVAKUMAR S S 13MAR2017	TE Connectivity	
DIMENSIONS: mm [INCHES]		CHK SANJAY SHINDIKAR 13MAR2017		
TOLERANCES UNLESS OTHERWISE SPECIFIED:		APVD SANJAY SHINDIKAR 13MAR2017	NAME ANTI-VANDAL SWITCH 19mm DUAL COLOR LED SOLDER TERMINALS, FLYING LEADS, WITH MOVING RING	
0 PLC ± - 1 PLC ± 0.4[.016] 2 PLC ± 0.25[.010] 3 PLC ± - 4 PLC ± - ANGLES ± 2°		PRODUCT SPEC -	SIZE A2	CAGE CODE 00779
MATERIAL -		FINISH -	DRAWING NO C=2316531	RESTRICTED TO -
CUSTOMER DRAWING		WEIGHT -	SCALE 1:1	SHEET 3 OF 5
			REV A1	

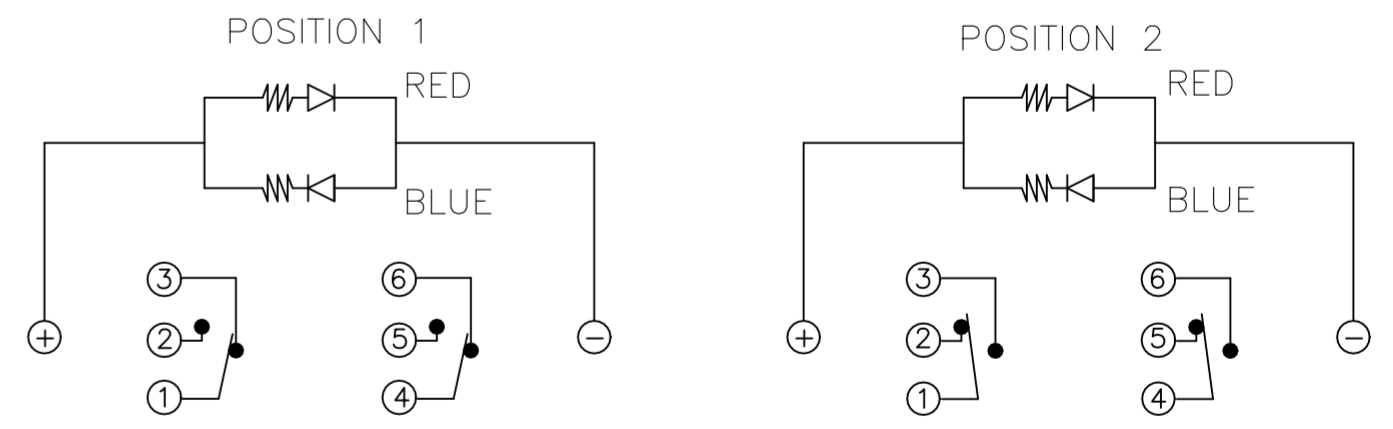
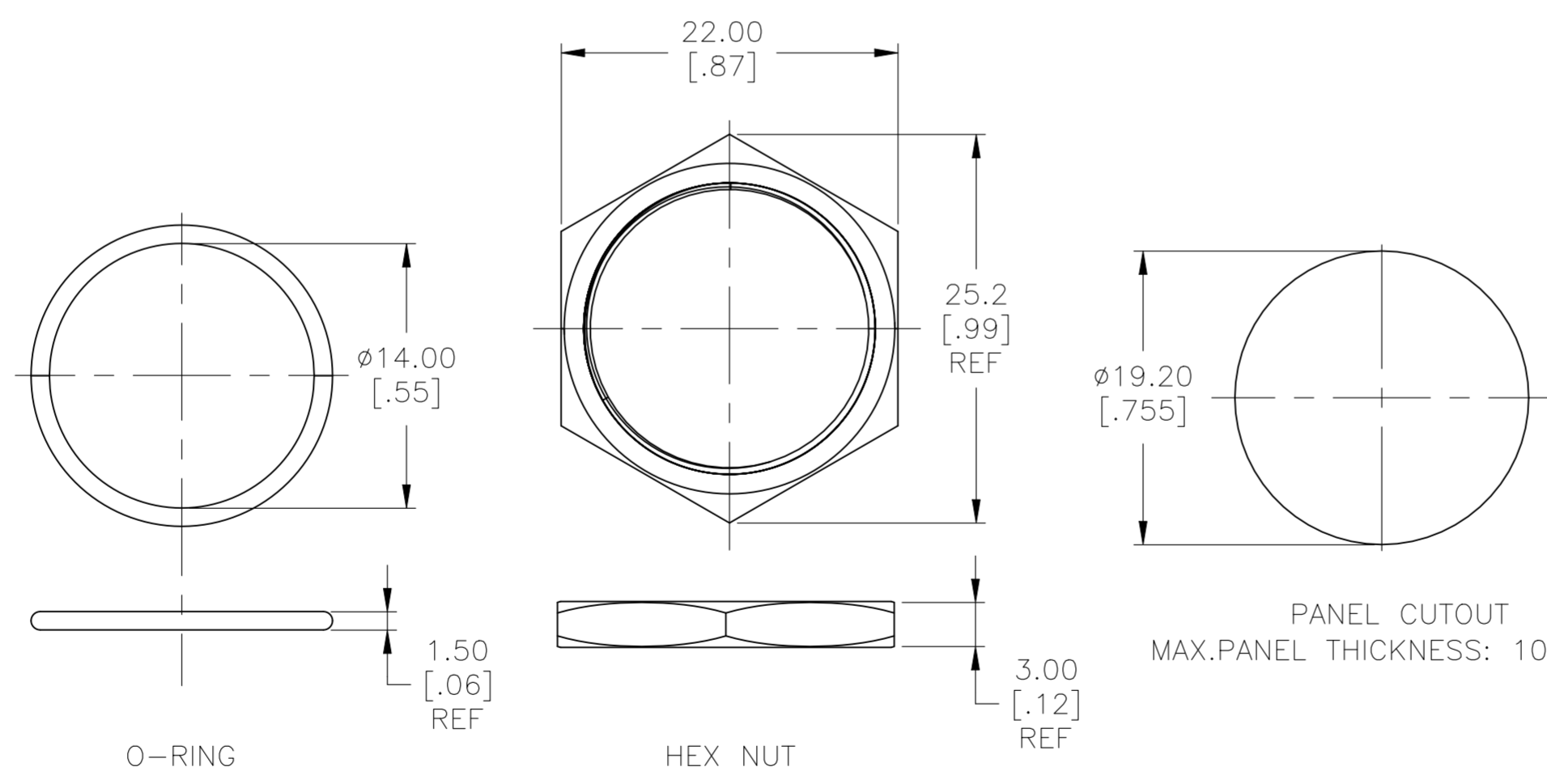
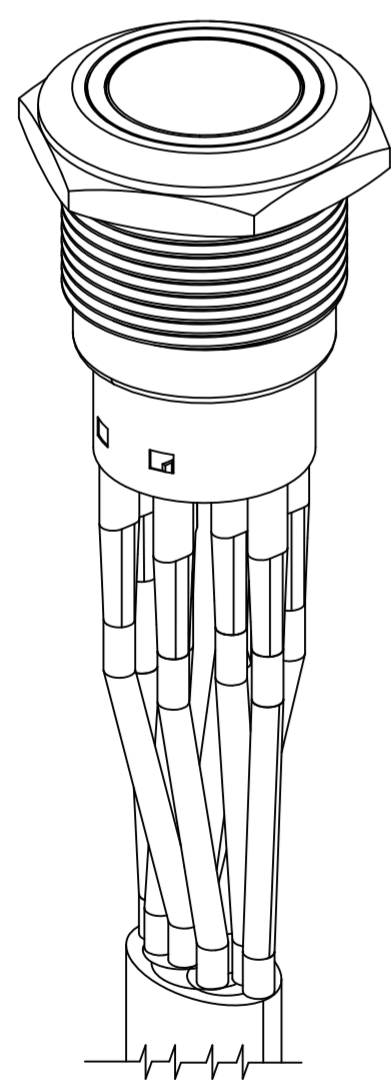
THIS DRAWING IS UNPUBLISHED. RELEASED FOR PUBLICATION. ALL RIGHTS RESERVED.

REVISIONS					
P	LTR	DESCRIPTION	DATE	DWN	APVD
-	-	SEE SHEET 1	-	-	-

DOUBLE POLE SWITCH WITH DUAL COLOR LED'S AND FLYING LEADS



WIRE=18AWG, 300V(BLACK,YELLOW/GREEN/RED/PURPLE)



THIS DRAWING IS A CONTROLLED DOCUMENT.		DWN SHIVAKUMAR S S 13MAR2017	STE TE Connectivity	
DIMENSIONS: mm [INCHES]		CHK SANJAY SHINDIKAR 13MAR2017		
TOLERANCES UNLESS OTHERWISE SPECIFIED:		APVD SANJAY SHINDIKAR 13MAR2017	NAME ANTI-VANDAL SWITCH 19mm DUAL COLOR LED SOLDER TERMINALS, FLYING LEADS, WITH MOVING RING	
0 PLC ± -		PRODUCT SPEC	SIZE A2	
1 PLC ± 0.4[.016]		APPLICATION SPEC	CAGE CODE 00779	DRAWING NO C=2316531
2 PLC ± 0.25[.010]		WEIGHT	RESTRICTED TO	
3 PLC ± -		MATERIAL	SCALE 1:1	
4 PLC ± -		FINISH	SHEET 4 OF 5	
ANGLES ± 2°		CUSTOMER DRAWING	REV A1	

THIS DRAWING IS UNPUBLISHED. RELEASED FOR PUBLICATION
 © COPYRIGHT - By - ALL RIGHTS RESERVED.

REVISIONS					
P	LTR	DESCRIPTION	DATE	DWN	APVD
-	-	SEE SHEET 1	-	-	-

CONTACT PLATING	LIGHT TYPE	TERMINAL OPTION	POLE/THROW	LED COLOR	LED VOLTAGE	TE DESCRIPTIVE PART NUMBER	TE PART NUMBER
SILVER	MOVING RING	FLYING LEAD TERMINALS	DOUBLE POLE - MOMENTARY	RED & YELLOW	24	AV1920EG24T5Q04	4-2316531-7
					12	AV1920EG12T5Q04	4-2316531-6
				RED & BLUE	24	AV1920EB24T5Q04	4-2316531-5
					12	AV1920EB12T5Q04	4-2316531-4
				RED & GREEN	24	AV1920EA24T5Q04	4-2316531-3
					12	AV1920EA12T5Q04	4-2316531-2
			SINGLE POLE - LOCKING	RED & YELLOW	24	AV1911EG24T5Q04	4-2316531-1
					12	AV1911EG12T5Q04	4-2316531-0
				RED & BLUE	24	AV1911EB24T5Q04	3-2316531-9
					12	AV1911EB12T5Q04	3-2316531-8
				RED & GREEN	24	AV1911EA24T5Q04	3-2316531-7
					12	AV1911EA12T5Q04	3-2316531-6
		SOLDER TERMINALS	DOUBLE POLE - MOMENTARY	RED & YELLOW	24	AV1910EG24T5Q04	3-2316531-5
					12	AV1910EG12T5Q04	3-2316531-4
				RED & BLUE	24	AV1910EB24T5Q04	3-2316531-3
					12	AV1910EB12T5Q04	3-2316531-2
				RED & GREEN	24	AV1910EA24T5Q04	3-2316531-1
					12	AV1910EA12T5Q04	3-2316531-0
			SINGLE POLE - LOCKING	RED & YELLOW	24	AV1920EG24Q04	1-2316531-8
					12	AV1920EG12Q04	1-2316531-7
				RED & BLUE	24	AV1920EB24Q04	1-2316531-6
					12	AV1920EB12Q04	1-2316531-5
				RED & GREEN	24	AV1920EA24Q04	1-2316531-4
					12	AV1920EA12Q04	1-2316531-3
SINGLE POLE - MOMENTARY	RED & YELLOW	24	AV1911EG24Q04	1-2316531-2			
		12	AV1911EG12Q04	1-2316531-1			
	RED & BLUE	24	AV1911EB24Q04	1-2316531-0			
		12	AV1911EB12Q04	2316531-9			
	RED & GREEN	24	AV1911EA24Q04	2316531-8			
		12	AV1911EA12Q04	2316531-7			
SOLDER TERMINALS	RED & YELLOW	24	AV1910EG24Q04	2316531-6			
		12	AV1910EG12Q04	2316531-5			
	RED & BLUE	24	AV1910EB24Q04	2316531-4			
		12	AV1910EB12Q04	2316531-3			
	RED & GREEN	24	AV1910EA24Q04	2316531-2			
		12	AV1910EA12Q04	2316531-1			

D

D

C

C

B

B

A

A

THIS DRAWING IS A CONTROLLED DOCUMENT.

DWN	13MAR2017	SHIVAKUMAR S S
CHK	13MAR2017	SANJAY SHINDIKAR
APVD	13MAR2017	SANJAY SHINDIKAR

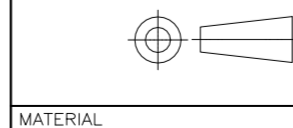
TE Connectivity

ANTI-VANDAL SWITCH 19mm DUAL COLOR LED SOLDER TERMINALS, FLYING LEADS, WITH MOVING RING

SIZE	CAGE CODE	DRAWING NO	RESTRICTED TO
A2	00779	C-2316531	-

CUSTOMER DRAWING SCALE 1:1 SHEET 5 OF 5 REV A1

DIMENSIONS: mm [INCHES]		TOLERANCES UNLESS OTHERWISE SPECIFIED:	
0 PLC	± -	0 PLC	± -
1 PLC	± 0.4[.016]	1 PLC	± 0.4[.016]
2 PLC	± 0.25[.010]	2 PLC	± 0.25[.010]
3 PLC	± -	3 PLC	± -
4 PLC	± -	4 PLC	± -
ANGLES	± 2°	ANGLES	± 2°



X-ON Electronics

Largest Supplier of Electrical and Electronic Components

Click to view similar products for [Pushbutton Switches](#) category:

Click to view products by [TE Connectivity](#) manufacturer:

Other Similar products are found below :

[8940K2012](#) [LW1L-M1C10V-A](#) [LW1L-M1C70-A](#) [LW2L-A1C20M-GD](#) [LW2L-M1C20M-A](#) [60324L](#) [M22-D-R-GB0/K11](#) [M7E-HRN2](#)
[67021K512](#) [67081K512X](#) [701PB580](#) [7199K101](#) [810K12910](#) [810KSV30B](#) [MML21EA2ADK](#) [MML21KA3ABK](#) [MML23KA3AC05K-001](#)
[MML23KW3AA01W](#) [8418K2](#) [8442K3](#) [8450K1](#) [860K11911T01A](#) [861901](#) [861K11911T01A07](#) [861K13810T00A14](#) [861K13911](#)
[8646AB6X718UL](#) [8646ABUL](#) [9001KXRK](#) [907AYY100](#) [PMHD155A1](#) [9533CD4+U574+U4922](#) [95-414.000](#) [99-450.837](#) [99-453.837](#)
[PV3H2B0NN-341](#) [1203MRA](#) [A22NZBGANGA](#) [A22NZBNANGA](#) [A22NZMPATRA](#) [A2PMA1X03EC56](#) [A3A-5123-02](#) [A3A-7140](#) [A3A-7310](#) [A3A-7340](#) [A3U-TMW-A2C-5M](#) [A595](#) [12037A2ULCSA](#) [ABD122N-B](#) [1211390004](#)