

THIS DRAWING IS UNPUBLISHED.

RELEASED FOR PUBLICATION

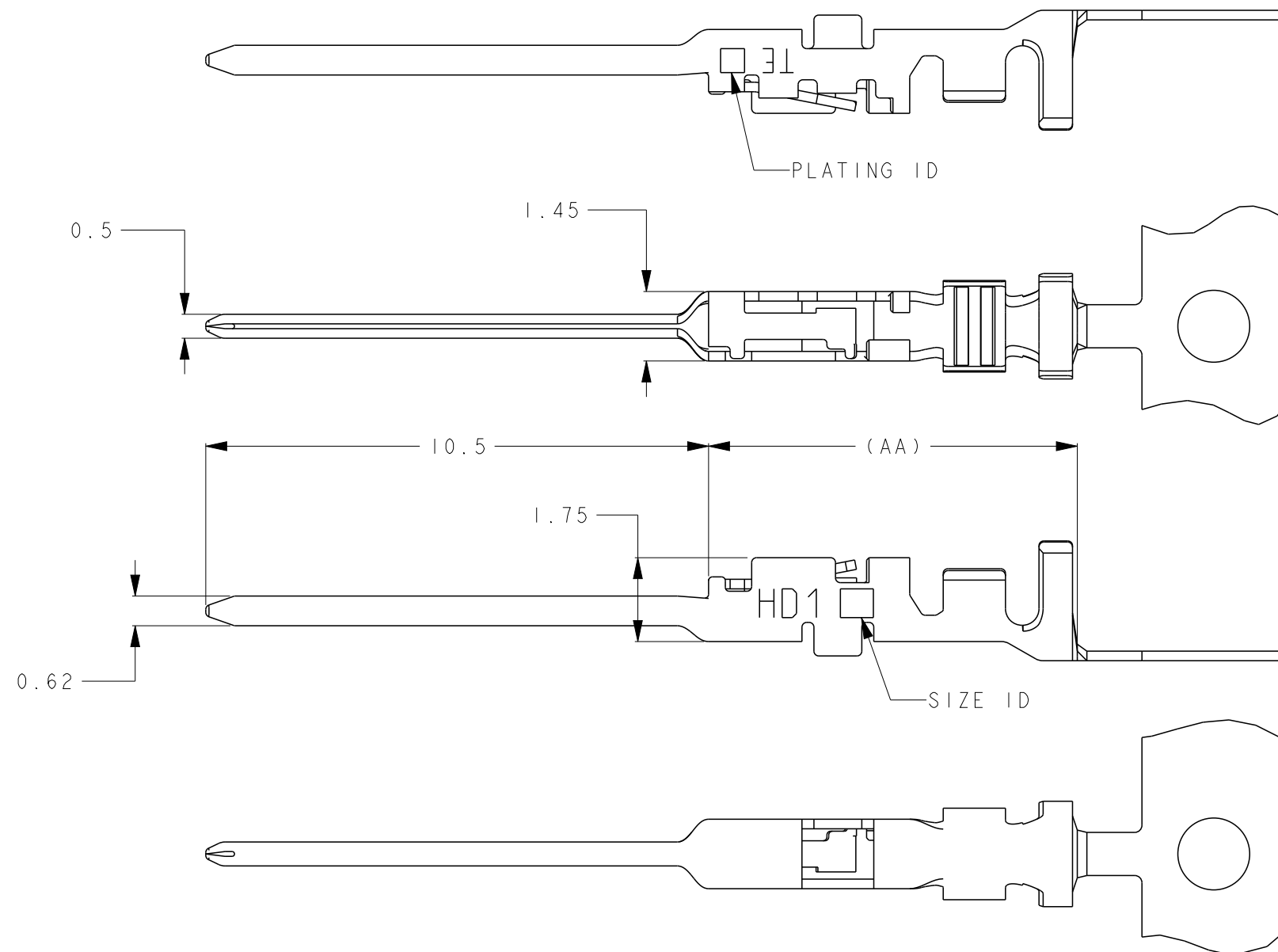
20

© COPYRIGHT 20 BY -

ALL RIGHTS RESERVED.

REVISIONS

P	LTR	DESCRIPTION	DATE	DWN	APVD
	A	RELEASED	05DEC2017	RI	EI
	B	REVISED PER ECR-19-002854	27FEB2019	TS	EI



1. TECHNICAL CHARACTERISTICS:
 CONTACT MATERIAL: Cu ALLOY
 SURFACE PLATING:
 ID2 : GOLD PLATING: 0.38µmMIN
 IDP : Pd-Ni PLATING 0.38µmMIN
 GOLD PLATING 0.05µmMIN

8.4	0.1g	2L	P	1.4-2.2	AWG22-18, 0.34-0.87SQmm	2L SIZE, Pd-Ni 0.38µm	1-2316663-4
8.4	0.1g	2L	2	1.4-2.2	AWG22-18, 0.34-0.87SQmm	2L SIZE, GOLD 0.38µm	2316663-4
7.7	0.1g	L	2	1.08-1.9	AWG28-22, 0.08-0.37SQmm	L SIZE, GOLD 0.38µm	2316663-3
7.7	0.1g	M	2	1.08-1.6	AWG28-22, 0.08-0.37SQmm	M SIZE, GOLD 0.38µm	2316663-2
7.7	0.1g	S	2	0.6-1.2	AWG30-28, 0.05-0.1SQmm	S SIZE, GOLD 0.38µm	2316663-1
DIMENSION AA	NET WEIGHT	SIZE ID	PLATING ID	INSUL. RANGE	WIRE RANGE	DESCRIPTION	PART NO

THIS DRAWING IS A CONTROLLED DOCUMENT.

DIMENSIONS:		TOLERANCES UNLESS OTHERWISE SPECIFIED:	
mm		0 PLC	±0.5
		1 PLC	±0.5
		2 PLC	±0.5
		3 PLC	±0.5
		4 PLC	±0.5
MATERIAL		ANGLES	±3°
-		FINISH	-
-			-

DWN	28MAR2017	T. SHIMOYASU
CHK	28MAR2017	E. TAKEMASA
APVD	28MAR2017	N. YAMASAKI
PRODUCT SPEC	108-140152	
APPLICATION SPEC	114-78021	
WEIGHT	-	
CUSTOMER DRAWING		



NAME				CONTACT, TAB, HD1			
				HDC DYNAMIC			
				-			
SIZE	CAGE CODE	DRAWING NO	RESTRICTED TO				
A3	-	©-2316663	-				
SCALE			8:1	SHEET		1 OF 1	REV B

X-ON Electronics

Largest Supplier of Electrical and Electronic Components

Click to view similar products for [Heavy Duty Power Connectors](#) category:

Click to view products by [TE Connectivity](#) manufacturer:

Other Similar products are found below :

[6646058-2](#) [6646137-1](#) [6646138-1](#) [6646940-1](#) [6651091-1](#) [6651525-1](#) [6651529-1](#) [696475-1](#) [702-32-01109](#) [73080255059](#) [73080965046](#)
[7310205040001](#) [765-16-0080B](#) [765-18-0080D](#) [902-77-02113](#) [PS00/A0620/6300](#) [AN0024023](#) [154-42B7WM250](#) [MS3117-14AC](#) [1643543-1](#)
[1766966-1](#) [1791340000](#) [NLDFT-3-BL-L-S120-M40A](#) [NLDFT-N-W-L-C240-M40B](#) [1926015-1](#) [NLS-3-BL-C240-M40B](#) [NLS-N-W-C240-](#)
[M40B](#) [NPS-3-BL-T6](#) [2-1589900-8](#) [9300480317](#) [294-0091-01100](#) [296-0040-01100](#) [1-6609148-0](#) [A32595-0049](#) [1766249-1](#) [19000005132](#)
[1926016-1](#) [1-966831-8](#) [AN0024202](#) [AN0264023](#) [279-0841-10100A](#) [281-0334-00100A](#) [RMSB4](#) [419-2083-301](#) [LCDX4/0-14B-X](#) [075-8519-](#)
[001](#) [078238-1613](#) [07.470.3256.0](#) [09000005288](#) [09140240311](#)