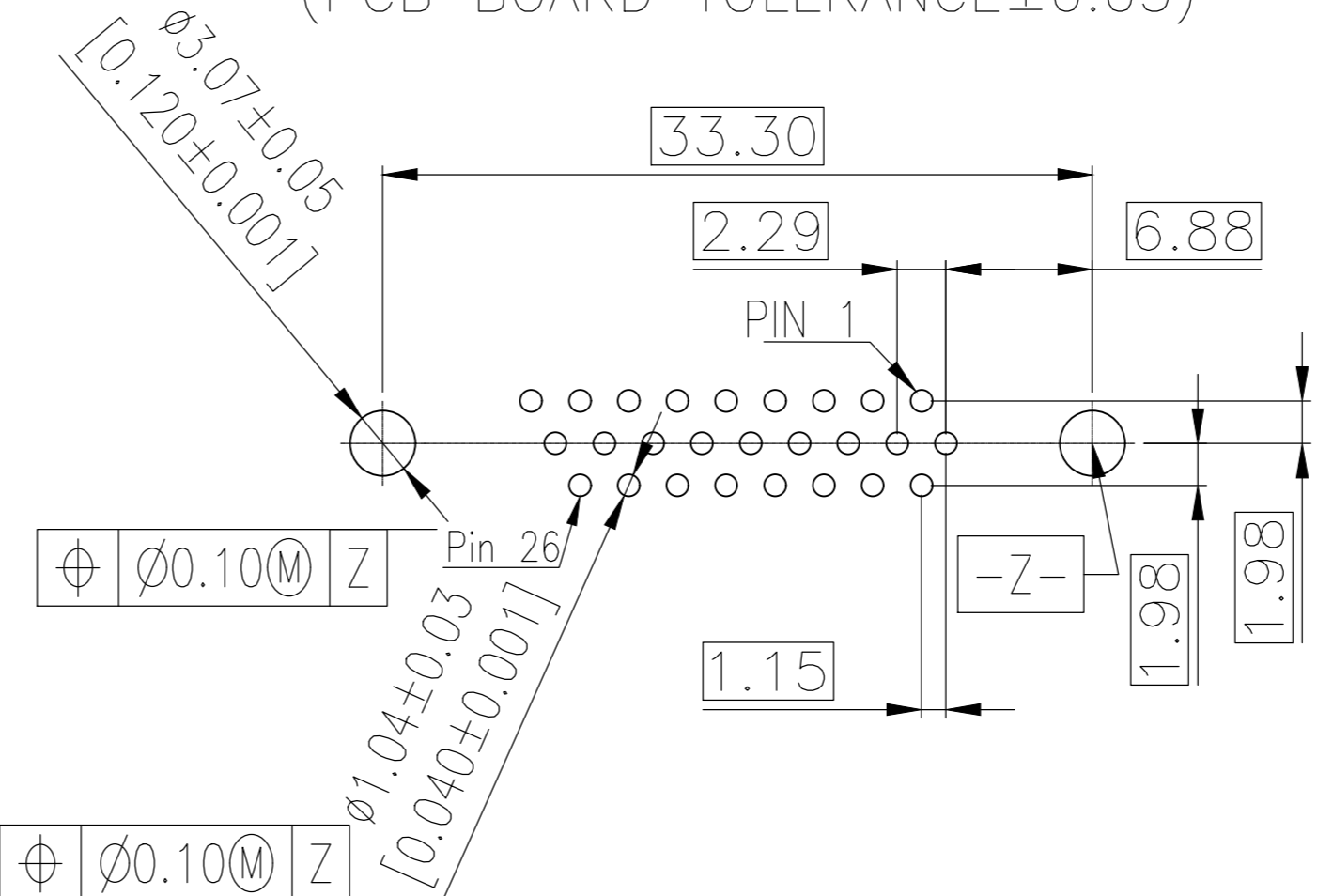
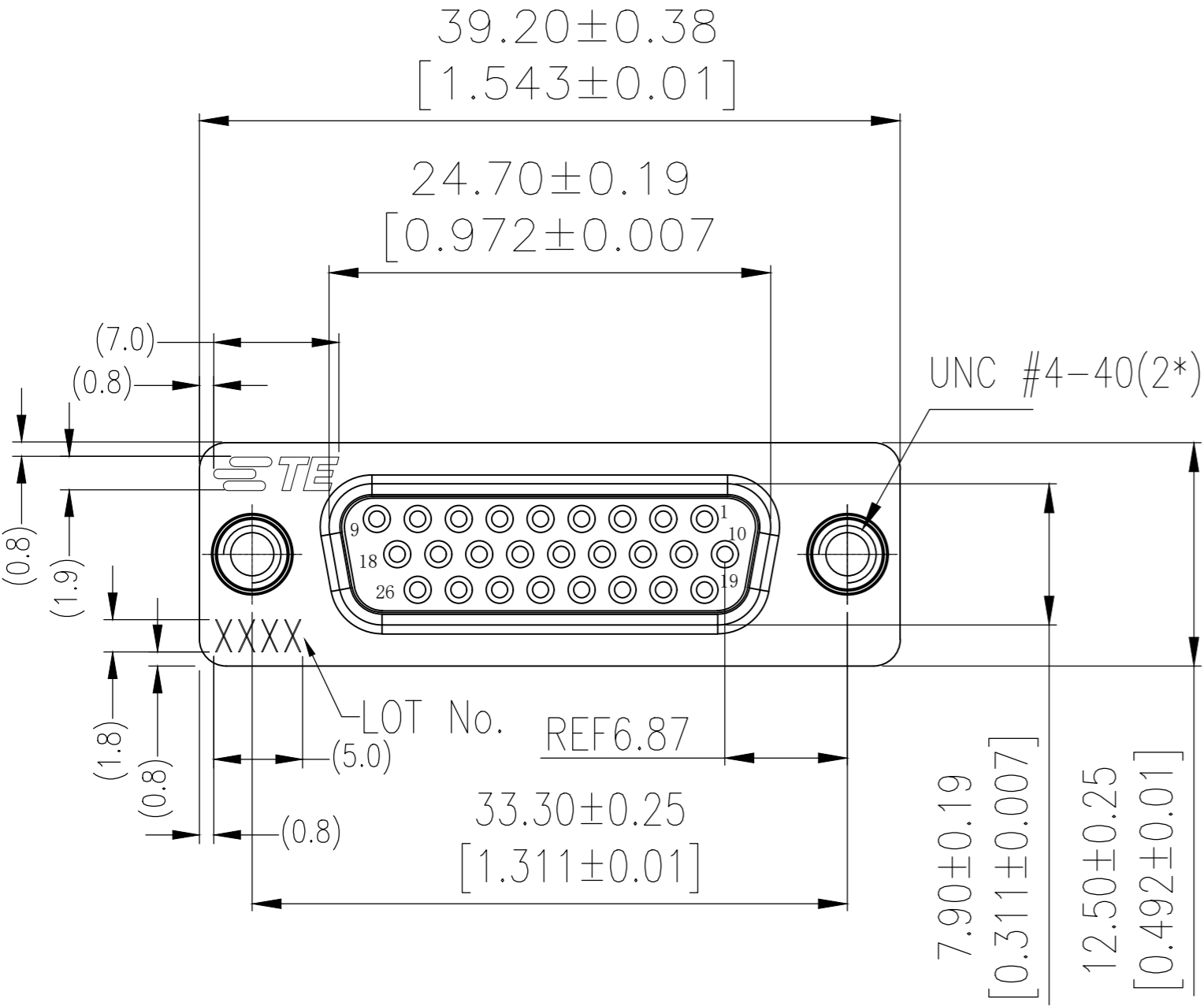


REVISIONS					
P	LTR	DESCRIPTION	DATE	DWN	APVD
A		INITIAL RELEASE	04SEP2017	AP	DG
B		REVISED PER ECO-17-016472	21NOV2017	AP	DG
C		REVISED PER ECO-18-008016	25MAY2018	AP	DG

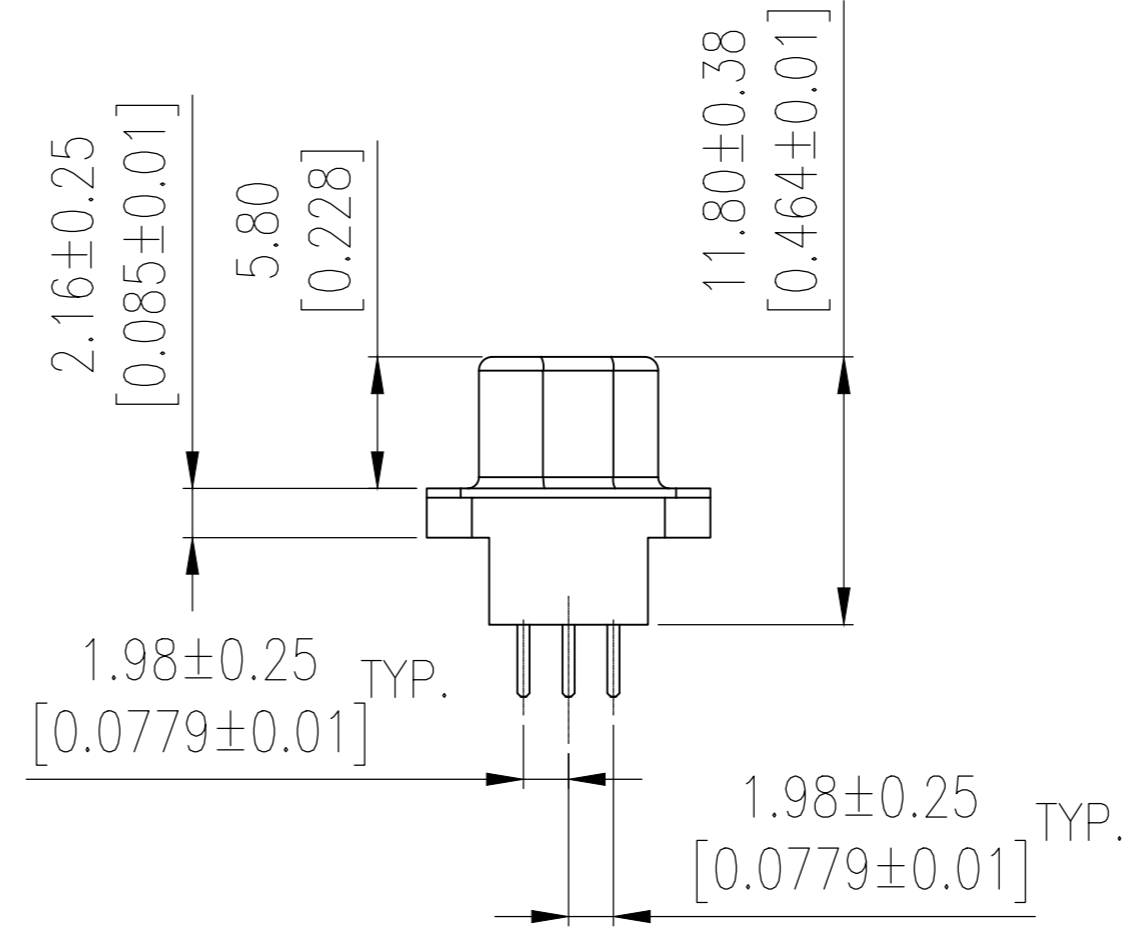
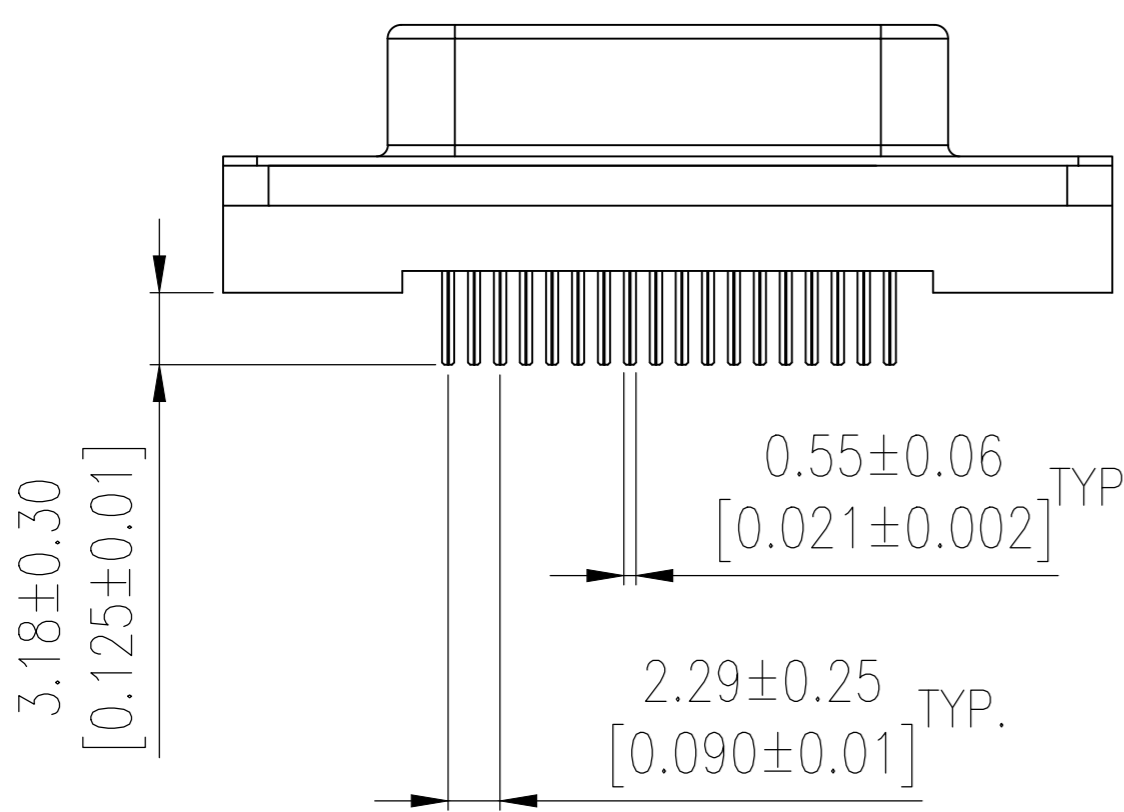
Recommended P.C.B Layout
 (PCB BOARD TOLERANCE ±0.05)



NOTES:
 Rated Current: 3.0AMP
 Contact Resistance: 30mΩ max
 Withstand Voltage: 500V AC
 Insulation Resistance: 1000MΩ min
 Operation Temperature: -40°C to +85°C

Insulator: PBT UL94V-0 BLACK
 Contact: Phosphor Bronze
 "GOLD PLATING ON CONTACT AREA
 100u" MATTE TIN PLATING ON SOLDER TAIL
 50u" NICKEL UNDERPLATED OVERALL
 INSERTS: BRASS, 50u" NICKEL PLATED
 Shell: SPCC, 50u" NICKEL PLATING OVERALL

LOT NUMBER "XXXX"
 Stands For Calendar Year
 Stands For Week Number



THREADED	30μ" Au	2317170-1
TYPE	Contact Area	P/N
	Plating	

THIS DRAWING IS A CONTROLLED DOCUMENT.		DWN AJITH PAI 13MAR2017	TE Connectivity NAME AMPLIMITE RECEPTACLE, HD22, 26P, VERTICAL THREADED	
DIMENSIONS: mm		CHK DANIEL GORENC 13MAR2017		
TOLERANCES UNLESS OTHERWISE SPECIFIED:		APVD DANIEL GORENC 13MAR2017	PRODUCT SPEC	SIZE A2
0 PLC ± - 1 PLC ± - 2 PLC ± 0.25 3 PLC ± - 4 PLC ± - ANGLES ± -		APPLICATION SPEC	RESTRICTED TO	
MATERIAL		WEIGHT	CAGE CODE 00779	DRAWING NO C=2317170
FINISH		CUSTOMER DRAWING	SCALE 1:1	SHEET 1 OF 1
			REV C	

X-ON Electronics

Largest Supplier of Electrical and Electronic Components

Click to view similar products for [D-Sub Standard Connectors](#) category:

Click to view products by [TE Connectivity](#) manufacturer:

Other Similar products are found below :

[56F711-015](#) [012-9507-004](#) [LV242999-142T12](#) [015-0341-000](#) [015-0349-000](#) [015-0372-005](#) [015-0372-008](#) [015-8755-001](#) [020419-0104](#) [012-0467-000](#) [012-0515-000](#) [012-9507-034](#) [012-9507-114](#) [020745-0008](#) [609-25P](#) [M24308/2-23Z](#) [CT2-14S-2PCA34](#) [CT2-18-11PCAU](#) [CT2-36-15SC](#) [CT6-14S-2SC](#) [CT6E14SA7SC](#) [CT6E22-14PC](#) [CT6E22-14PS](#) [CT6E22-22PS](#) [M83513/01-FC](#) [M85049/48-3-2F](#) [6STD09PCM99B70X](#) [6STD09SCM99B30X](#) [6STD09SCT99S40X](#) [6STD15PCT99S40X](#) [6STD15SCM99B30X](#) [6STD15SCT99S40X](#) [6STF09PCM05B70X](#) [7-135760-9](#) [MC11E-10-6SN](#) [747552-3](#) [MD1-21PS](#) [MDM-15SCBRM7-F222](#) [MDM96517-699](#) [MDM96521-744](#) [MDVB1-21SL1](#) [MIK0-1-7SH003](#) [MIKQ6-7SH076](#) [MIKQ7-7PH077](#) [MIKQ7-7PH11](#) [MIKQ7-7PH32](#) [MIKQ9-7PH003](#) [MJSV-28SL61](#) [MKJ4A1F14-55S](#) [8-135760-3](#)