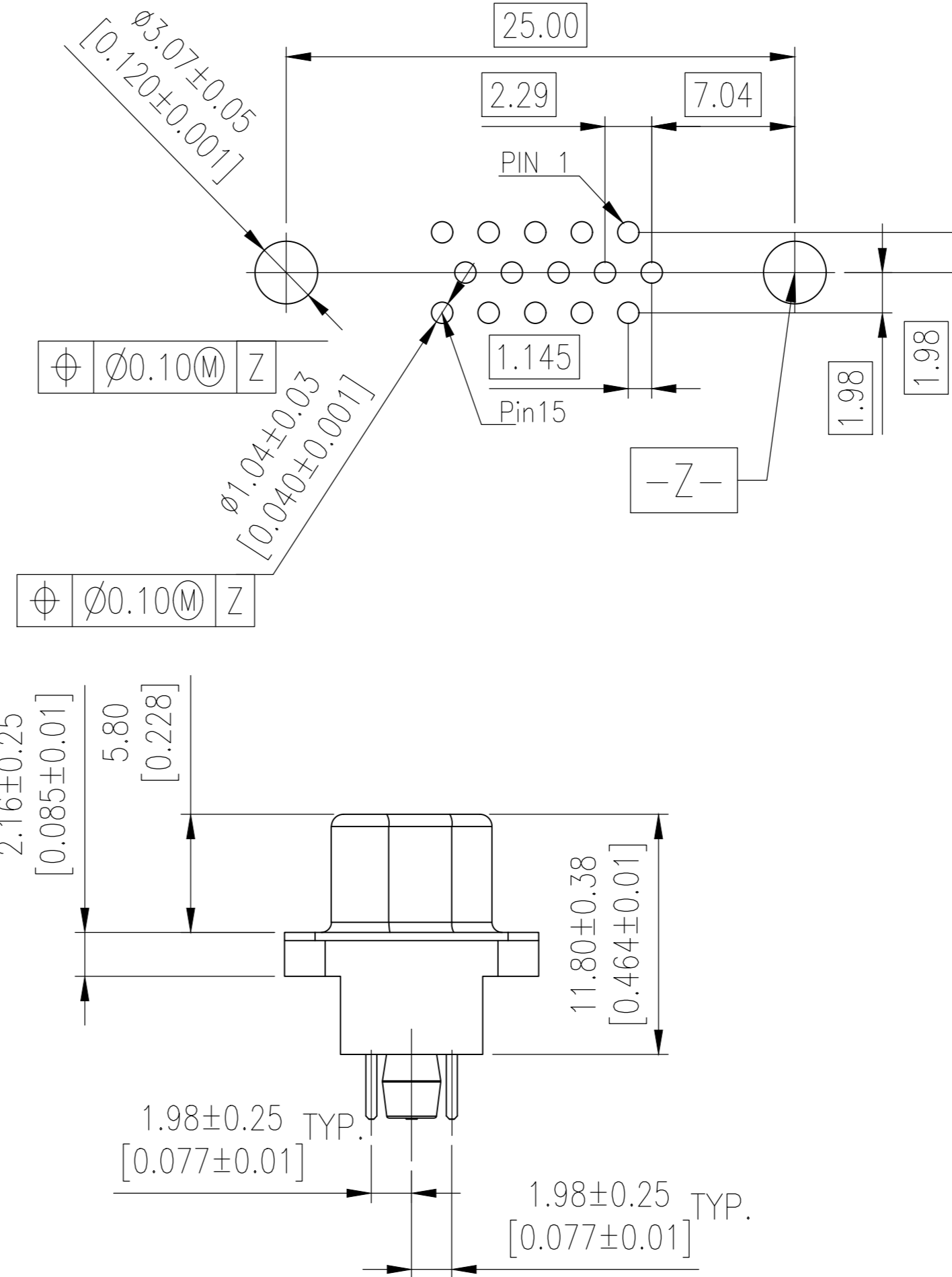
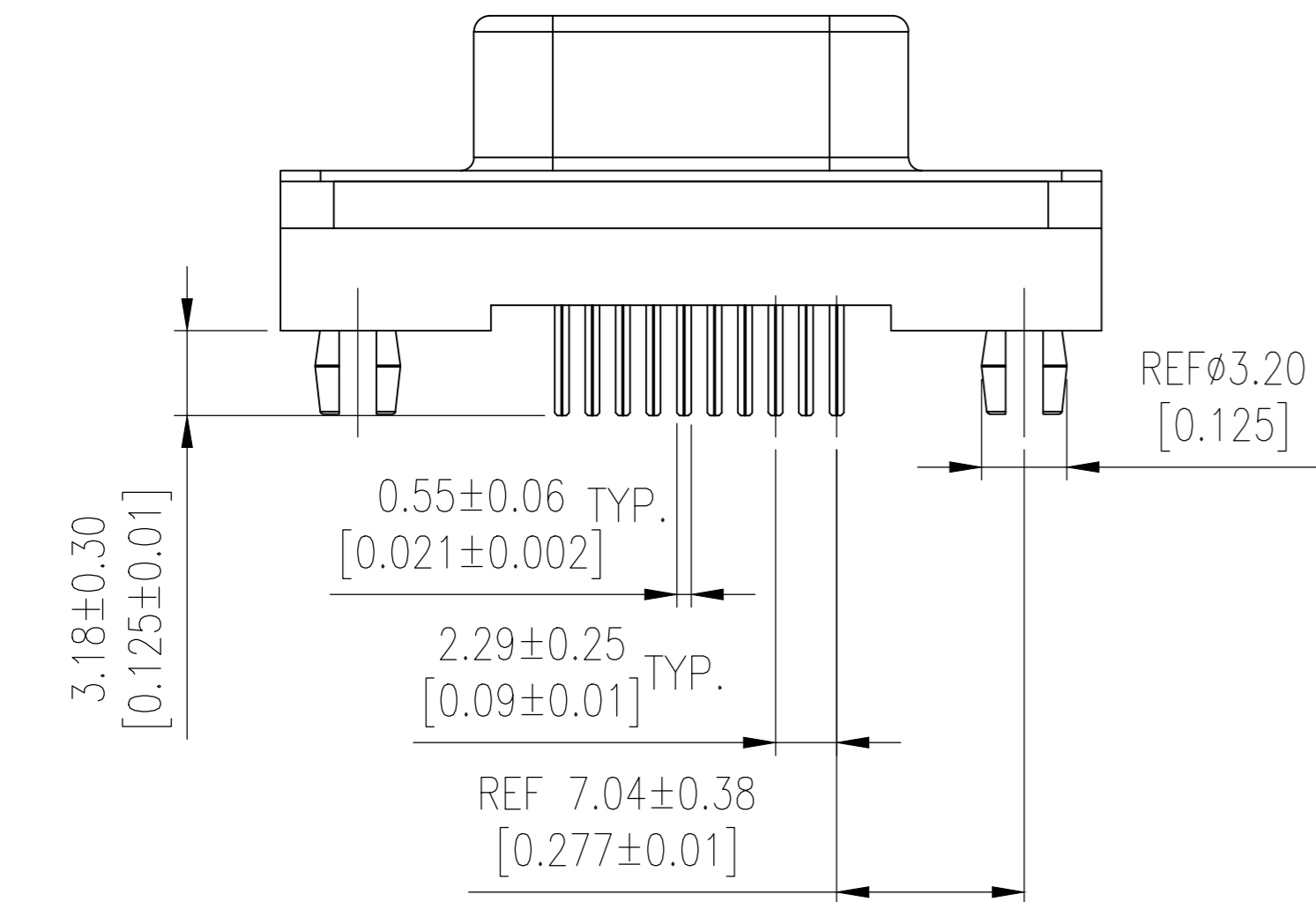
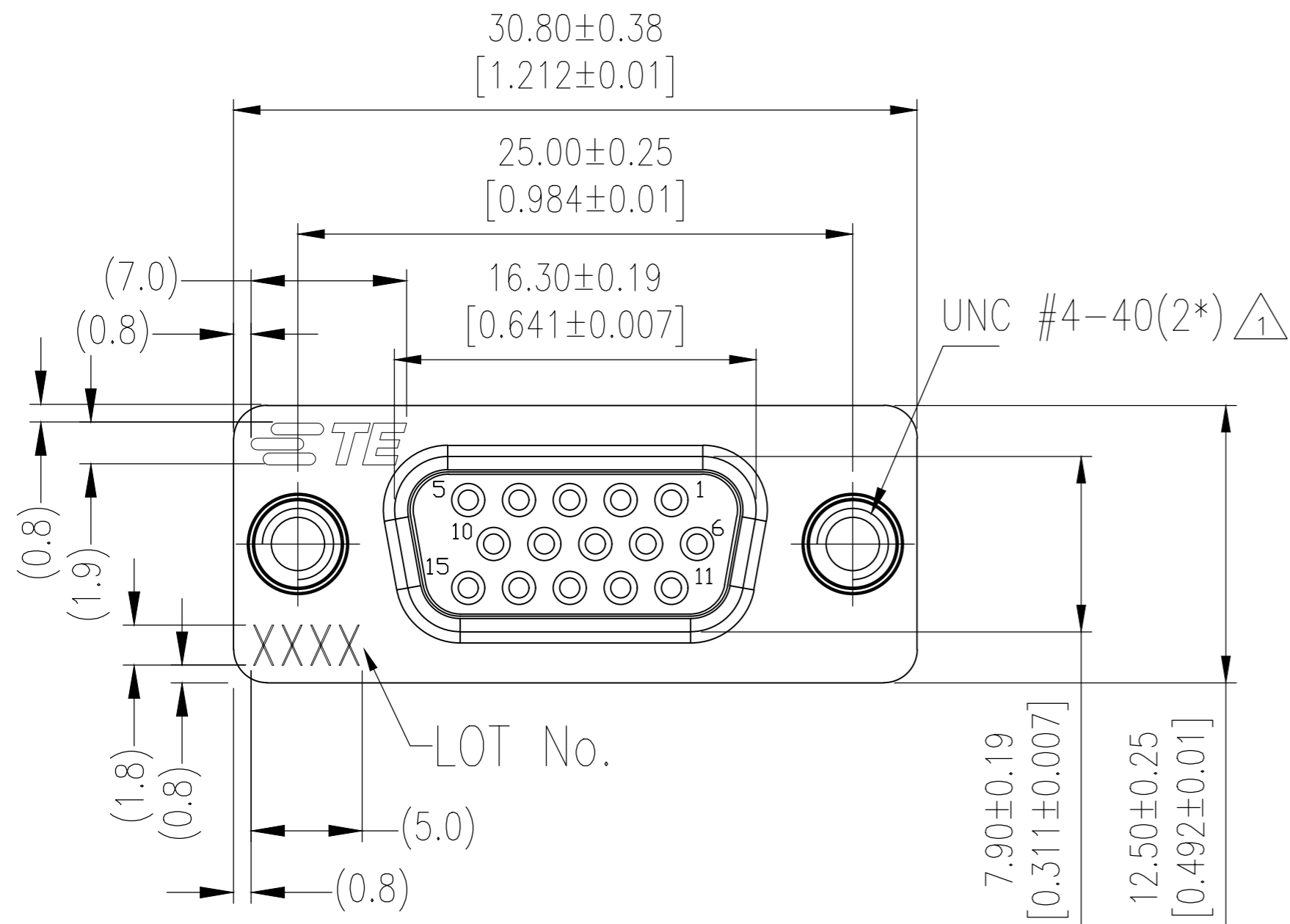


THIS DRAWING IS UNPUBLISHED. RELEASED FOR PUBLICATION  
 © COPYRIGHT - By - ALL RIGHTS RESERVED.

REVISIONS					
P	LTR	DESCRIPTION	DATE	DWN	APVD
A		INITIAL RELEASE	04SEP2017	AP	DG
B		REVISED PER ECO-17-016472	21NOV2017	AP	DG
C		REVISED PER ECO-18-011822	26JUL2018	AP	DG

### Recommended P.C.B Layout (PCB BOARD TOLERANCE ±0.05)



NOTES:  
 Rated Current:3.0AMP  
 Contact Resistance:35mΩ max  
 Withstand Voltage:500V AC  
 Insulation Resistance:1000MΩ min  
 Operation Temperature:-40°C to +85°C

Insulator:PBT UL94V-0 BLACK  
 Contact:Phosphor Bronze  
 " GOLD PLATING ON CONTACT AREA  
 100u" MATTE TIN PLATING ON SOLDER TAIL  
 50u" NICKEL UNDERPLATED OVERALL  
 Holddowns:Brass,100u" TIN OVER 50u" NICKEL  
 Sheel:SPCC,50u" NICKEL PLATING OVERALL

LOT NUMBER "XXXX"  
 -Stands For Calendar Year  
 -Stands For Week Number

△ ACCEPTS MAXIMUM 4.70 [.185] LONG MALE THREAD.

THREADED INSRET	30μAu	2317171-1
TYPE	Contact Area	P/N
	Plating	

THIS DRAWING IS A CONTROLLED DOCUMENT.		DWN AJITH PAI 14MAR2017	TE Connectivity	
DIMENSIONS: mm		CHK DANIEL GORENC 14MAR2017	NAME AMPLIMITE RECEPTACLE, HD22, 15P, VERTICAL THREADED	
TOLERANCES UNLESS OTHERWISE SPECIFIED:		APVD DANIEL GORENC 14MAR2017	SIZE A2	
0 PLC ± -		PRODUCT SPEC	CAGE CODE 00779	
1 PLC ± -		APPLICATION SPEC	DRAWING NO C=2317171	
2 PLC ± 0.25		WEIGHT	RESTRICTED TO	
3 PLC ± -		CUSTOMER DRAWING	SCALE 1:1	
4 PLC ± -			SHEET 1 OF 1	
ANGLES ± -			REV C	
FINISH				

## X-ON Electronics

Largest Supplier of Electrical and Electronic Components

*Click to view similar products for [D-Sub Standard Connectors](#) category:*

*Click to view products by [TE Connectivity](#) manufacturer:*

Other Similar products are found below :

[56F711-015](#) [012-9507-004](#) [LV242999-142T12](#) [015-0341-000](#) [015-0372-005](#) [015-0372-008](#) [015-8755-001](#) [020419-0104](#) [012-0467-000](#) [012-0515-000](#) [012-9507-034](#) [012-9507-114](#) [020745-0008](#) [609-25P](#) [M24308/2-23Z](#) [CT2-14S-2PCA34](#) [CT2-18-11PCAU](#) [CT2-36-15SC](#) [CT6-10SL-3SC](#) [CT6-10SL-4SC](#) [CT6-14S-2SC](#) [CT6E14SA7SC](#) [M83513/01-FC](#) [M83723/76W24619 L/C](#) [M85049/48-3-2F](#) [6STD09PCM99B70X](#) [6STD09SCM99B30X](#) [6STD09SCT99S40X](#) [6STD15PCT99S40X](#) [6STD15SCM99B30X](#) [6STD15SCT99S40X](#) [6STF09PCM05B70X](#) [7-135760-9](#) [MC11E-10-6SN](#) [747552-3](#) [MD1-21PS](#) [MDM-15SCBRM7-F222](#) [MDM96517-699](#) [MDM96521-744](#) [MDVB1-21SL1](#) [MIK0-1-7SH003](#) [MIKQ6-7SH076](#) [MIKQ7-7PH077](#) [MIKQ7-7PH11](#) [MIKQ7-7PH32](#) [MJSV-28SL61](#) [MKJ4A1F14-55S](#) [8-135760-3](#) [8STD09PCM99B30X](#) [PG-KV/PV-16-GROM-SEALING](#)