

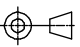


## CODE 15 - TINEL-LOCK BACKSHELL

TXR15AB00-1608AI-

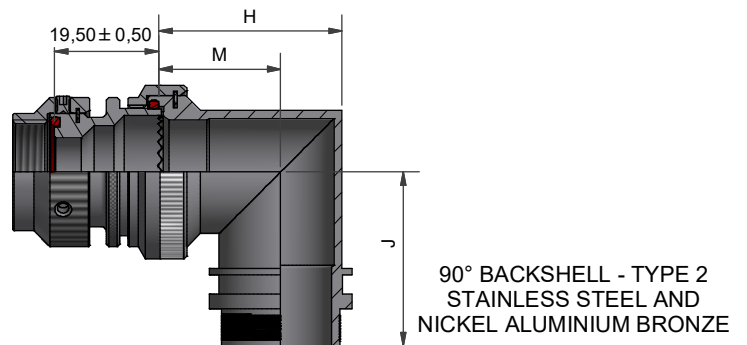
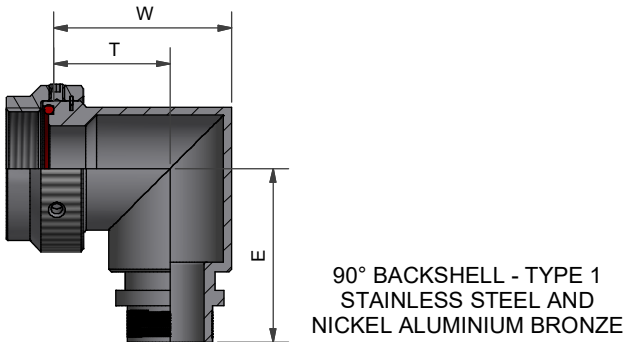
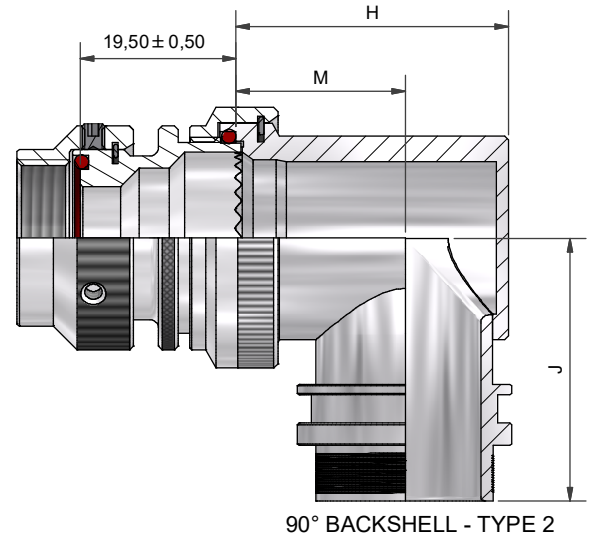
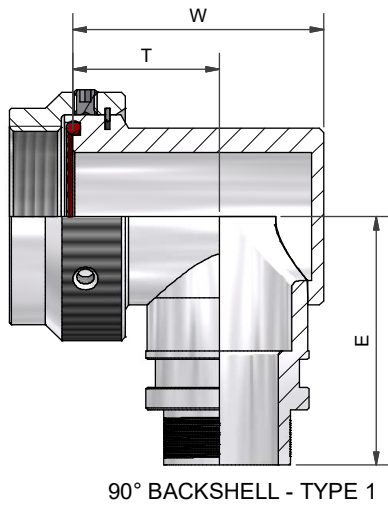
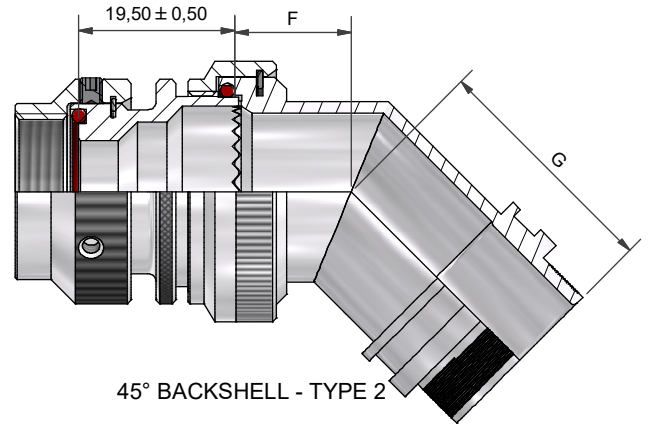
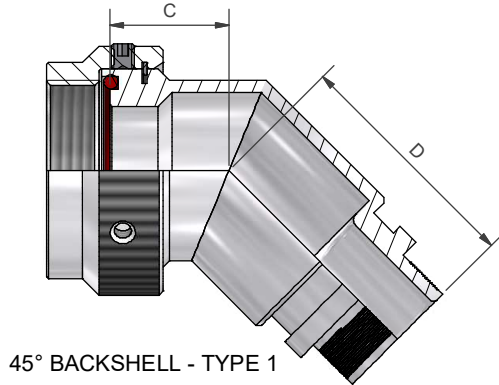
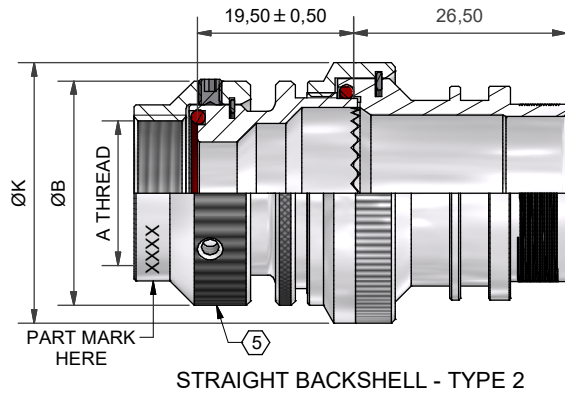
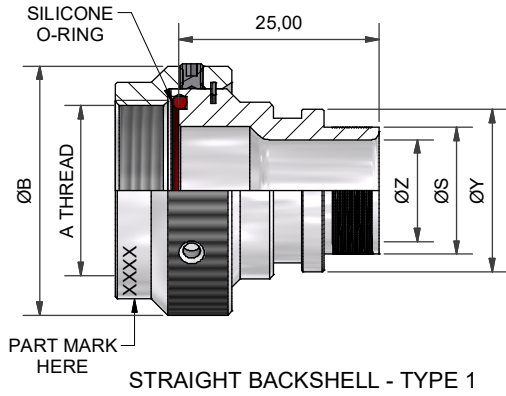
SERIES \_\_\_\_\_  
 TXR: RING INCLUDED  
 (SEE RING OPTION)  
 TX: RING NOT INCLUDED  
 CONNECTOR INTERFACE \_\_\_\_\_  
 MATERIAL \_\_\_\_\_  
 REFER TO CH00-0250-008  
 FINISH \_\_\_\_\_  
 REFER TO CH00-0250-008  
 ANGLE \_\_\_\_\_  
 DASH NUMBER (TABLE 1) \_\_\_\_\_  
 ENTRY SIZE (TABLE 2) \_\_\_\_\_  
 RING OPTION \_\_\_\_\_  
 AI - TO SUIT SINGLE BRAID  
 BI - TO SUIT DOUBLE BRAID  
 FOR TX, LEAVE BLANK  
 MODIFICATION CODE \_\_\_\_\_  
 REFER TO CH00-0250-008 (2)

### NOTES:

1. THIS PRODUCT IS DESIGNED TO TERMINATE A BRAIDED CABLE SHIELD AND A HEAT SHRINKABLE LIPPED BOOT TO A CONNECTOR.
- (2) FOR ADDITIONAL DIMENSIONS, ORDERING INFORMATION AND MODIFICATIONS, SEE CH00-0250-008.
- (3) SEE DRAWING TR FOR DETAIL ON TINEL-LOCK RING, RINGS ARE DESIGNED TO BE HEATED ELECTRICALLY, ALL RINGS ARE MARKED WITH THERMOCHROMIC PAINT WHICH CHANGES COLOUR WHEN INSTALLATION TEMPERATURE IS REACHED.
4. BACKSHELL TO BE PERMANENTLY MARKED/BAGGED AND LABELLED WITH CODE IDENTIFICATION NUMBER AND PART NUMBER LESS RING DESIGNATOR. (e.g. 06090-TXR15AB00-1206). RING SHALL BEAR NO MARKING.
- (5) IF MAX ENTRY IS EXCEEDED, A 2 PIECE BACKSHELL ASSEMBLY (TYPE 2) IS SUPPLIED.
6. BACKSHELL MATES TO MIL-C-5015, SOLDER CONTACT, MS3100, MS3101, MS3106, MS3107 AND MS3108 WITH ENDBELL.
- (7) ANTI-ROTATIONAL SET SCREW, THREE THREADED HOLES  $120^\circ \pm 5^\circ$  APART, SINGLE MATING SET SCREW SUPPLIED.

|  |                           |            |  |  |  |   |                          |                 |
|--|---------------------------|------------|--|--|--|---|--------------------------|-----------------|
| DRAWN  | K.WINCZURA                | DATE       | 04/12/2014   | <br>3RD ANGLE PROJECTION<br>NOT TO SCALE<br><br>UNLESS OTHERWISE SPECIFIED<br>ALL DIMENSIONS IN MILLIMETRES<br><b>GENERAL TOL</b><br>LINEAR +/-0.25MM<br>ANGULAR +/- 1° | <b>TITLE:</b><br><br>TINEL-LOCK BACKSHELL  | <br>Polamco<br> |                          |                 |
| CHECKED  |                           | 04/12/2014 | <b>ASSY USED ON:</b><br><br>MIL-C-5015 MS "V" THREAD END BELLS |  |  |   |                          |                 |
| APPROVED   | K.SHEPPARD                | 11/12/2014 |  |  |  |   |                          |                 |
| APPROVED   | H.SMITH                   | 07/07/2015 |  |  |  |   |                          |                 |
| <b>REVISIONS</b>                                   |                           |            |  |  |  |   |                          |                 |
| LTR  | DESCRIPTION               | DATE       | APPROVED   |  |  |   |                          |                 |
| E  | REVISED PER ECO-15-009981 | 07/07/2015 | H.SMITH  |  |  |   |                          |                 |
| F  | REVISED PER ECO-18-002419 | 03/04/2018 | D.JONES  |  |  |   |                          |                 |
| TE CAGE CODE: 06090<br>POLAMCO/TE CAGE CODE: U5792 |                           |            |  |  | TE CONNECTIVITY - POLAMCO LTD RESERVES THE RIGHT TO AMEND THIS DRAWING AND THE INFORMATION SET FORTH HEREON AT ANY TIME. USERS SHOULD INDEPENDENTLY EVALUATE THE SUITABILITY OF THE PRODUCT FOR THEIR APPLICATION. | DRAWING NO:<br><b>TXR15</b>   | DRAWING REV:<br><b>F</b> | SHT<br><b>1</b> |

IF MAX ENTRY IS EXCEEDED BACKSHELL  
WILL BE SUPPLIED AS TYPE 2



|                  |                           |             |                 |
|------------------|---------------------------|-------------|-----------------|
| <b>DRAWN</b>     | K.WINCZURA                | <b>DATE</b> | 04/12/2014      |
| <b>CHECKED</b>   |                           | <b>DATE</b> | 04/12/2014      |
| <b>APPROVED</b>  | K.SHEPPARD                | <b>DATE</b> | 11/12/2014      |
| <b>APPROVED</b>  | H.SMITH                   | <b>DATE</b> | 07/07/2015      |
| <b>REVISIONS</b> |                           |             |                 |
| <b>LTR</b>       | <b>DESCRIPTION</b>        | <b>DATE</b> | <b>APPROVED</b> |
| E                | REVISED PER ECO-15-009981 | 07/07/2015  | H.SMITH         |
| F                | REVISED PER ECO-18-002419 | 03/04/2018  | D.JONES         |

3RD ANGLE  
PROJECTION  
NOT TO  
SCALE

UNLESS OTHERWISE SPECIFIED  
ALL DIMENSIONS IN MILLIMETRES  
**GENERAL TOL**  
LINEAR +/-0.25MM  
ANGULAR +/- 1°

**TITLE:**

**TINEL-LOCK BACKSHELL**

**ASSY USED ON:**

**MIL-C-5015 MS "V" THREAD END BELLS**



TE CAGE CODE: 06090  
POLAMCO/TE CAGE CODE: U5792

TE CONNECTIVITY - POLAMCO LTD RESERVES THE RIGHT TO AMEND THIS DRAWING AND THE INFORMATION SET FORTH HEREON AT ANY TIME. USERS SHOULD INDEPENDENTLY EVALUATE THE SUITABILITY OF THE PRODUCT FOR THEIR APPLICATION.

|                    |                     |            |
|--------------------|---------------------|------------|
| <b>DRAWING NO:</b> | <b>DRAWING REV:</b> | <b>SHT</b> |
| <b>TXR15</b>       | <b>F</b>            | <b>2</b>   |

THESE DIMENSIONS APPLY IF BACKSHELL IS STAINLESS STEEL OR NICKEL ALUMINIUM BRONZE

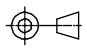
TABLE 1

| ORDER NUMBER | SHELL SIZE     | A THREAD      | ØB MAX | MAX ENTRY | C ±0,5 | D ±0,5 | W ±0,5 | T ±0,5 | E MAX | W MAX | T ±0,5 | E MAX |
|--------------|----------------|---------------|--------|-----------|--------|--------|--------|--------|-------|-------|--------|-------|
| 03           | 8S & 10S       | 1/2-28UNEF    | 21,5   | 05        | 12,6   | 27,5   | 21,7   | 13,5   | 28,5  | 22,2  | 15,0   | 28,5  |
| 04           | 10SL, 12 & 12S | 5/8-24UNEF    | 25,0   | 07        | 14,0   | 28,0   | 24,9   | 15,9   | 30,0  | 25,4  | 16,5   | 30,0  |
| 06           | 14 & 14S       | 3/4-20UNEF    | 28,0   | 08        | 15,0   | 29,0   | 27,9   | 17,9   | 31,5  | 28,4  | 17,9   | 31,5  |
| 08           | 16 & 16S       | 7/8-20UNEF    | 31,1   | 10        | 15,6   | 29,7   | 31,3   | 19,3   | 33,2  | 31,8  | 20,1   | 33,2  |
| 10           | 18             | 1-20UNEF      | 35,0   | 12        | 16,3   | 30,5   | 34,3   | 21,3   | 34,8  | 34,8  | 21,3   | 34,8  |
| 12           | 20 & 22        | 1 3/16-18UNEF | 39,0   | 16        | 17,2   | 30,9   | 40,4   | 22,9   | 36,3  | 40,9  | 22,9   | 36,3  |
| 16           | 24 & 28        | 1 7/16-18UNEF | 45,2   | 20        | 17,9   | 32,1   | 46,5   | 27,0   | 39,4  | 44,5  | 27,0   | 39,4  |
| 20           | 32             | 1 3/4-18UNS   | 54,9   | 24        | 24,3   | 32,1   | 53,3   | 30,7   | 43,3  | 50,8  | 32,0   | 43,3  |
| 24           | 36             | 2-18UNS       | 62,0   | 24        | 26,9   | 29,3   | 57,8   | 32,8   | 47,3  | 58,3  | 34,8   | 47,3  |
| 28           | 40             | 2 1/4-16UN    | 68,6   | 24        | 31,8   | 30,7   | 64,4   | 36,5   | 51,5  | 64,9  | 38,9   | 51,5  |

THESE DIMENSIONS APPLY IF BACKSHELL IS STAINLESS STEEL OR NICKEL ALUMINIUM BRONZE

TABLE 2

| ENTRY SIZE | ØZ MIN | ØS            | ØY ±0,3 | ØK MAX | F ±0,5 | G ±0,5 | H ±0,5 | M ±0,5 | J ±0,5 | H ±0,5 | M ±0,5 | J ±0,5 |
|------------|--------|---------------|---------|--------|--------|--------|--------|--------|--------|--------|--------|--------|
| 04         | 6,35   | 9,49 +/-0,04  | 14,00   | NA     | NA     | NA     | NA     | NA     | NA     | NA     | NA     | NA     |
| 05         | 7,92   | 11,06 +/-0,04 | 15,50   | NA     | NA     | NA     | NA     | NA     | NA     | NA     | NA     | NA     |
| 06         | 9,53   | 12,66 +/-0,04 | 17,10   | 21,0   | 12,5   | 27,5   | 24,0   | 15,5   | 27,95  | 24,3   | 17,2   | 28,2   |
| 07         | 11,10  | 14,21 +/-0,07 | 18,70   | 21,0   | 12,5   | 27,5   | 24,0   | 15,5   | 27,95  | 24,3   | 17,2   | 28,2   |
| 08         | 12,70  | 15,81 +/-0,07 | 20,30   | 24,5   | 13,1   | 28,0   | 27,0   | 17,0   | 29,45  | 28,3   | 19,4   | 29,7   |
| 10         | 15,88  | 18,96 +/-0,08 | 23,50   | 29,0   | 13,5   | 29,0   | 31,0   | 19,5   | 31,00  | 31,1   | 21,0   | 31,2   |
| 12         | 19,05  | 22,14 +/-0,08 | 26,70   | 32,5   | 14,5   | 29,7   | 34,0   | 21,0   | 32,70  | 34,2   | 22,8   | 32,9   |
| 14         | 22,23  | 25,30 +/-0,08 | 29,80   | 35,5   | 15,5   | 30,5   | 35,0   | 20,0   | 34,25  | 38,5   | 25,3   | 34,5   |
| 16         | 25,40  | 28,48 +/-0,08 | 33,00   | 37,0   | 16,1   | 30,9   | 38,0   | 21,5   | 35,80  | 40,7   | 26,1   | 36,1   |
| 18         | 28,58  | 31,65 +/-0,08 | 36,20   | 40,0   | 16,5   | 31,1   | 42,0   | 24,0   | 37,40  | 43,7   | 27,6   | 37,6   |
| 20         | 31,75  | 34,83 +/-0,08 | 39,40   | 43,5   | 17,0   | 32,1   | 45,0   | 25,5   | 38,90  | 46,4   | 29,1   | 39,1   |
| 22         | 34,93  | 37,98 +/-0,08 | 42,50   | 48,5   | 18,5   | 35,3   | 54,5   | 31,0   | 42,00  | 50,0   | 31,0   | 42,0   |
| 24         | 38,10  | 41,15 +/-0,08 | 45,70   | 52,1   | 21,9   | 38,1   | 58,0   | 33,0   | 46,00  | 53,5   | 33,0   | 46,0   |

|                  |                           |             |                 |  |
|------------------|---------------------------|-------------|-----------------|--|
| <b>DRAWN</b>     | K.WINCZURA                | DATE        | 04/12/2014      | <br>3RD ANGLE PROJECTION NOT TO SCALE |
| <b>CHECKED</b>   |                           | DATE        | 04/12/2014      |  |
| <b>APPROVED</b>  | K.SHEPPARD                | DATE        | 11/12/2014      |  |
| <b>APPROVED</b>  | H.SMITH                   | DATE        | 07/07/2015      |  |
| <b>REVISIONS</b> |                           |             |                 |  |
| <b>LTR</b>       | <b>DESCRIPTION</b>        | <b>DATE</b> | <b>APPROVED</b> |  |
| E                | REVISED PER ECO-15-009981 | 07/07/2015  | H.SMITH         |  |
| F                | REVISED PER ECO-18-002419 | 03/04/2018  | D.JONES         |  |

**TITLE:**  
**TINEL-LOCK BACKSHELL**

**ASSY USED ON:**  
**MIL-C-5015 MS "V" THREAD END BELLS**



TE CAGE CODE: 06090  
POLAMCO/TE CAGE CODE: U5792

TE CONNECTIVITY - POLAMCO LTD RESERVES THE RIGHT TO AMEND THIS DRAWING AND THE INFORMATION SET FORTH HEREON AT ANY TIME. USERS SHOULD INDEPENDENTLY EVALUATE THE SUITABILITY OF THE PRODUCT FOR THEIR APPLICATION.

|                                    |                                 |                        |
|------------------------------------|---------------------------------|------------------------|
| <b>DRAWING NO:</b><br><b>TXR15</b> | <b>DRAWING REV:</b><br><b>F</b> | <b>SHT</b><br><b>3</b> |
|------------------------------------|---------------------------------|------------------------|

## X-ON Electronics

Largest Supplier of Electrical and Electronic Components

*Click to view similar products for [Circular MIL Spec Backshells](#) category:*

*Click to view products by [TE Connectivity](#) manufacturer:*

Other Similar products are found below :

[60-036152-022](#) [610HS012M15](#) [M28840/504WA](#) [M28840/805WB](#) [M28840/809WA](#) [M28840/815WA](#) [M28840/816WA](#) [627AS017M14](#)  
[627MA124M14S](#) [655HS002NF11](#) [CW3899-000](#) [M85049/10-134S](#) [M85049/10-17S](#) [M85049/10-33S](#) [M85049/10-94W](#) [M85049/11-28N](#)  
[M85049/11-37N](#) [M85049/11-53N](#) [M85049/11-63N](#) [M85049/120-14W](#) [M85049/124-23W](#) [M85049/1720N04B](#) [M85049/1821W05C](#)  
[M85049/1825W06C](#) [M85049/1919N05](#) [M85049/23-74W](#) [M85049/24-71N](#) [M85049/25-47N](#) [M85049/25-94W](#) [M85049/27S12N](#) [M85049/39-](#)  
[11S](#) [M85049/39-17S](#) [M85049/39-9S](#) [M85049/6-10B](#) [M85049/6-19N](#) [M85049/6-20B](#) [M85049/77-20W04](#) [M85049/78-11N03](#) [M85049/78-](#)  
[15W02](#) [M85049/78-17N04](#) [M85049/78-19N05](#) [M85049/79-19N07](#) [M85049/79-25N04](#) [M85049/82-18N02](#) [M85049/82-22P02](#) [M85049/83-](#)  
[10W03](#) [M85049/84-20N03](#) [M85049/8-48N](#) [M85049/85-24N01](#) [M85049/85-24P01](#)