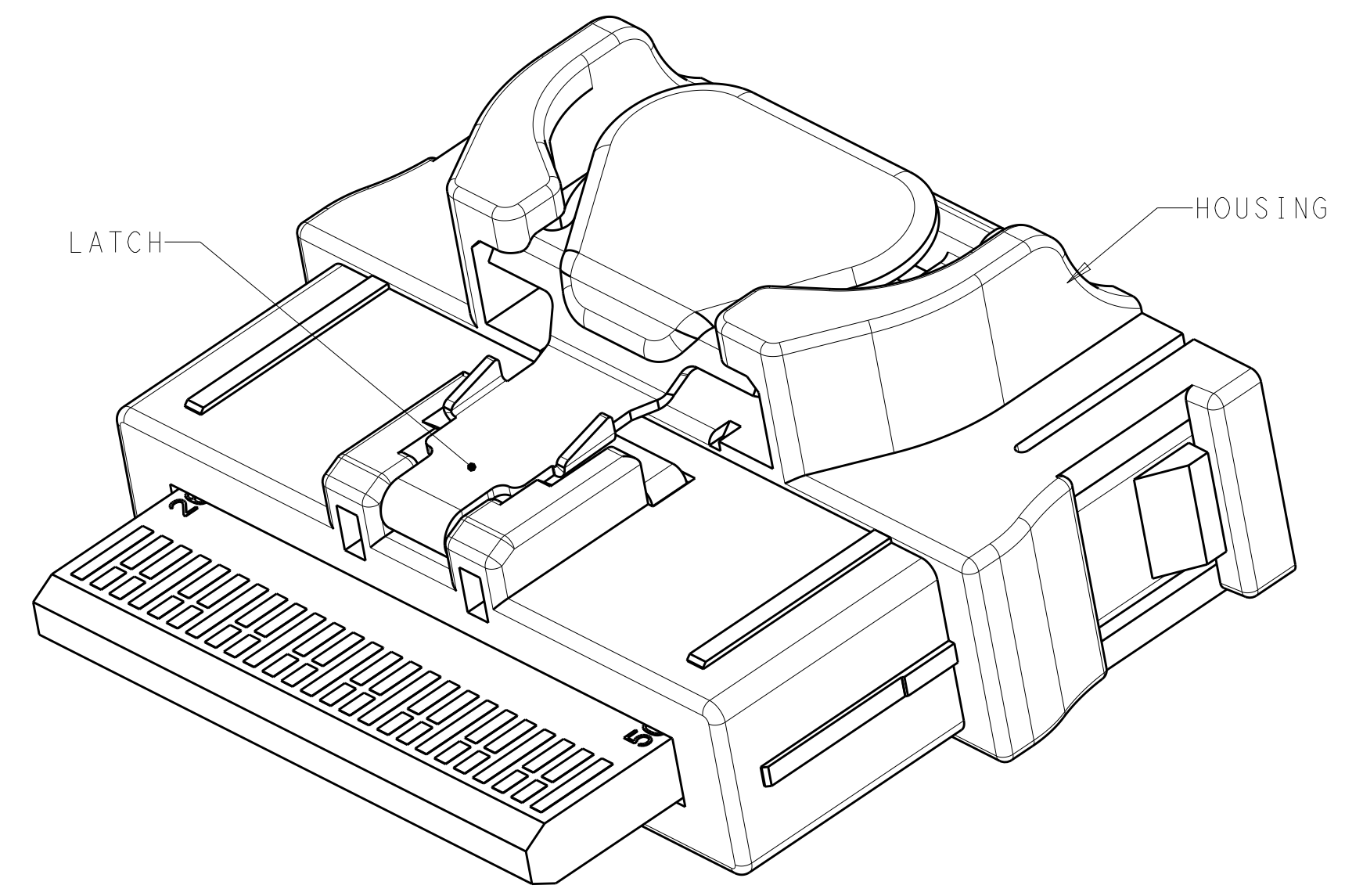
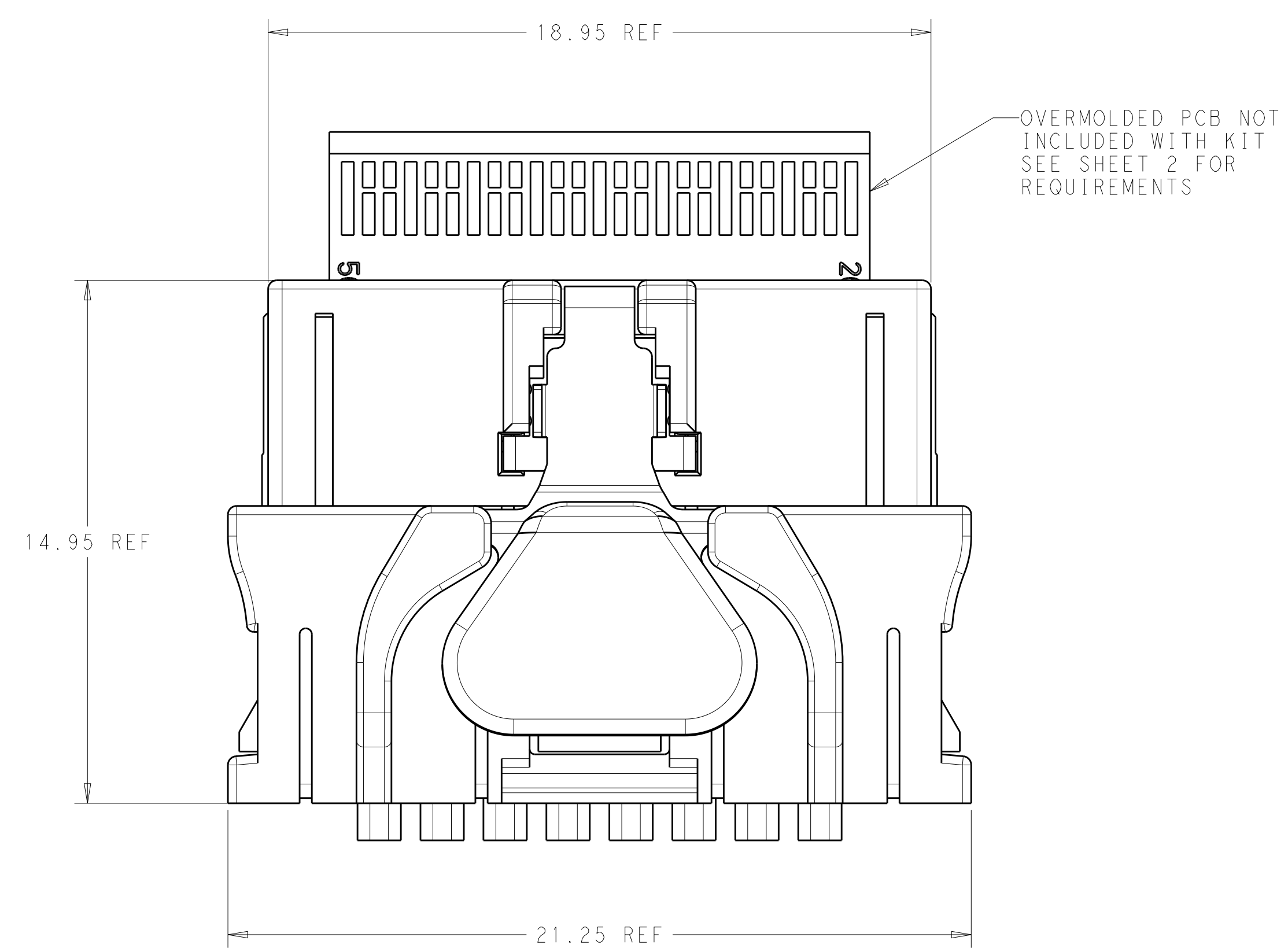
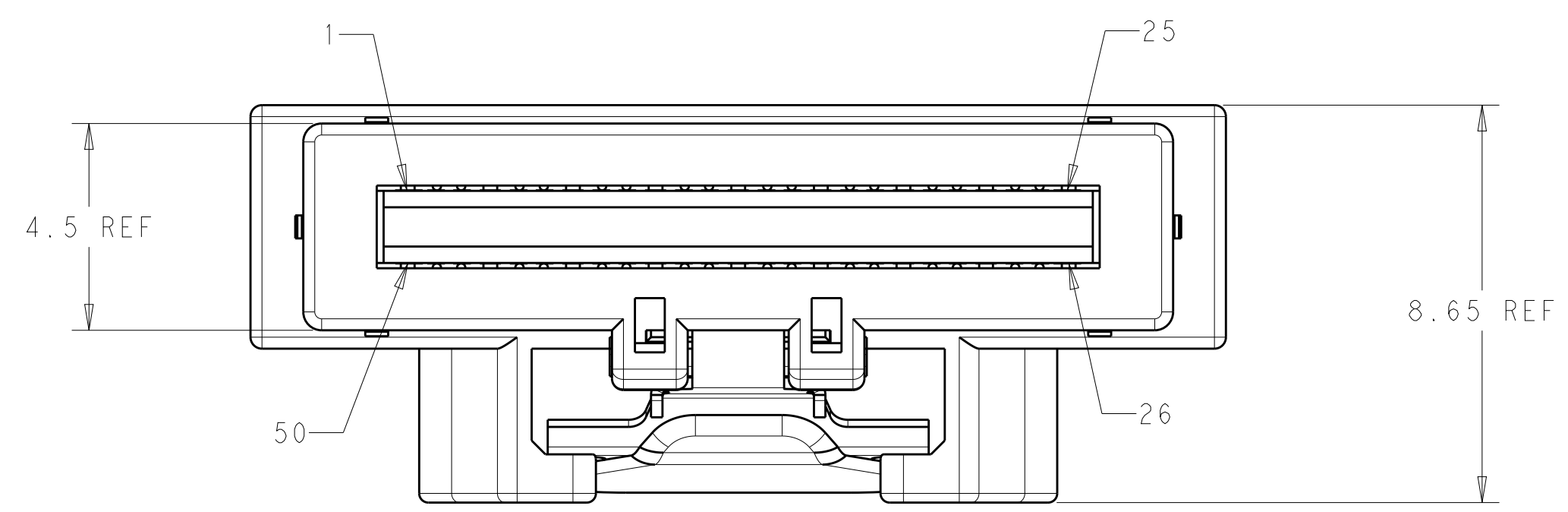


REVISIONS				
P.	LTN	DESCRIPTION	DATE	DWN APVD
A		RELEASED	09JAN2018	TS GG

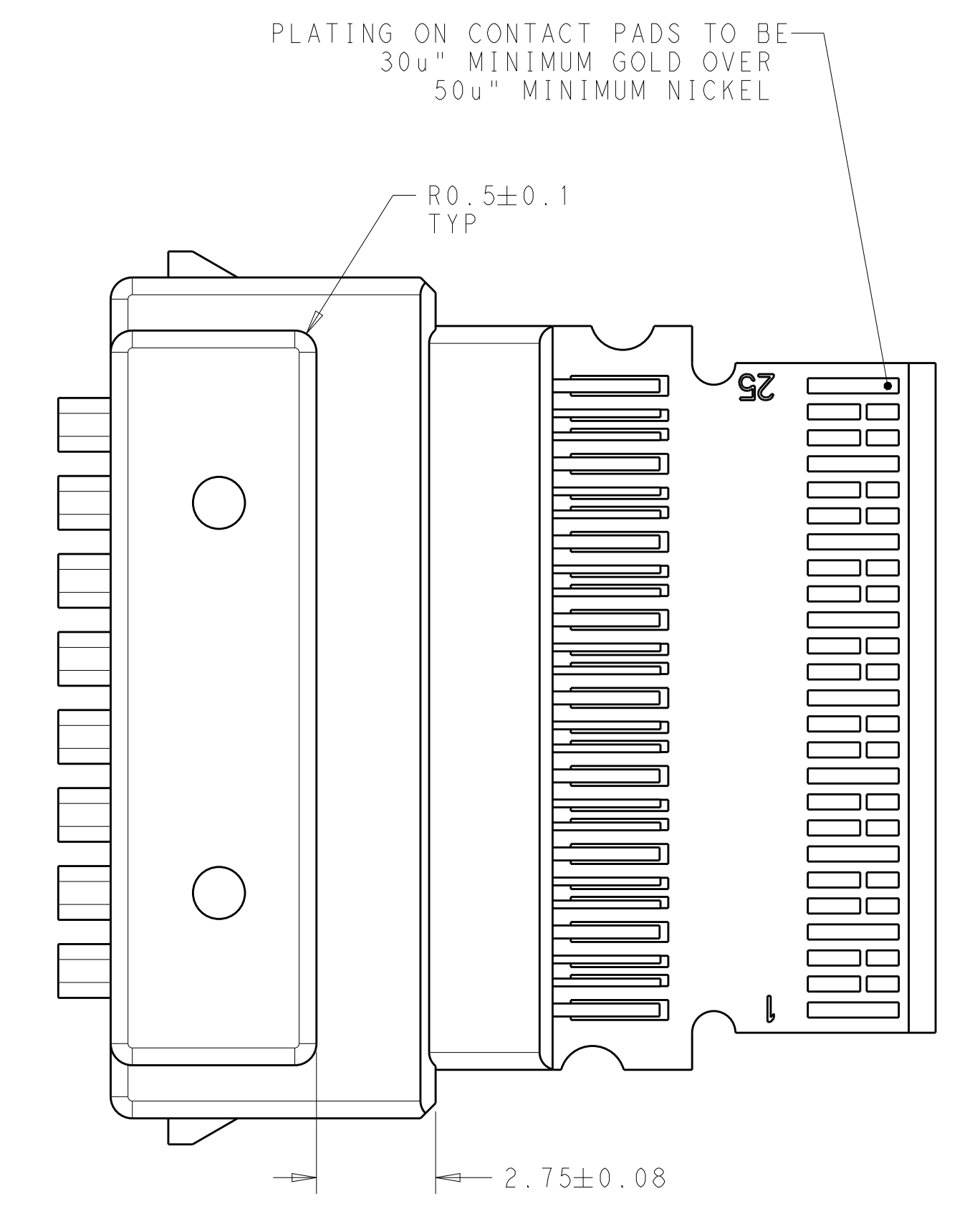
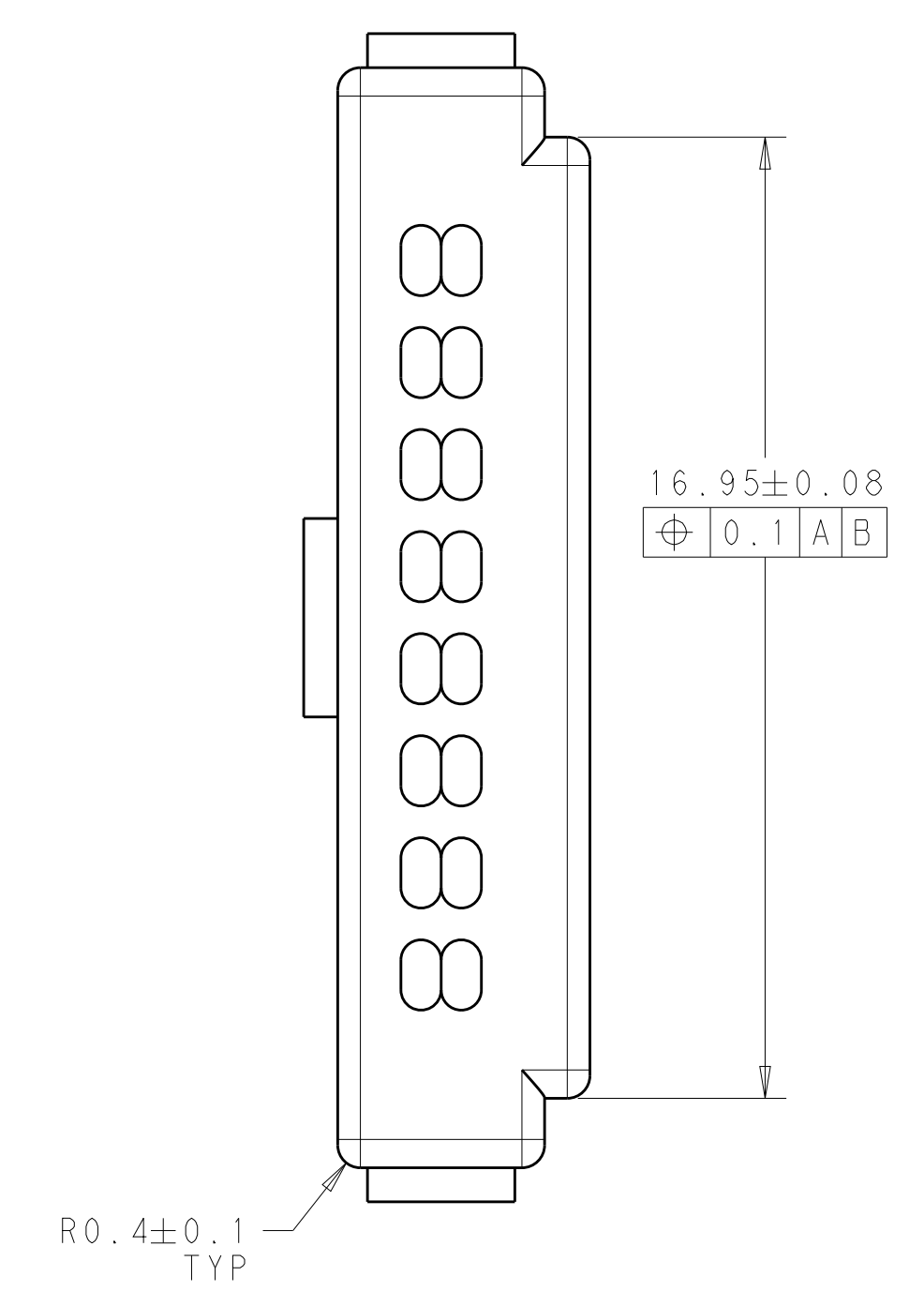
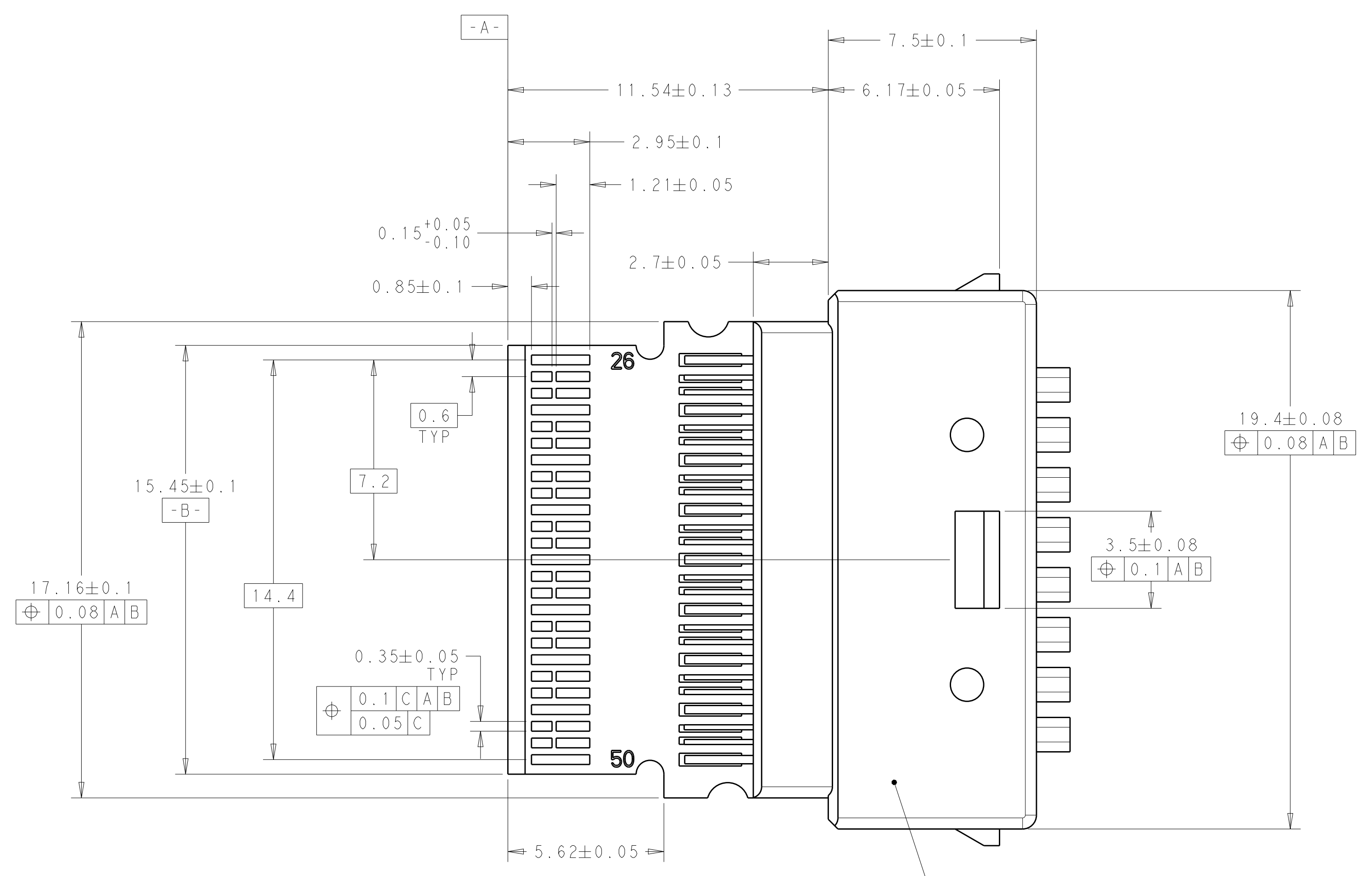


1. PRODUCT AND PROCESSING MEETS REQUIREMENTS OF TE SPECIFICATION TEC-138-702.
2. SEE SHEET 2 FOR OVERMOLDED PCB REQUIREMENTS.

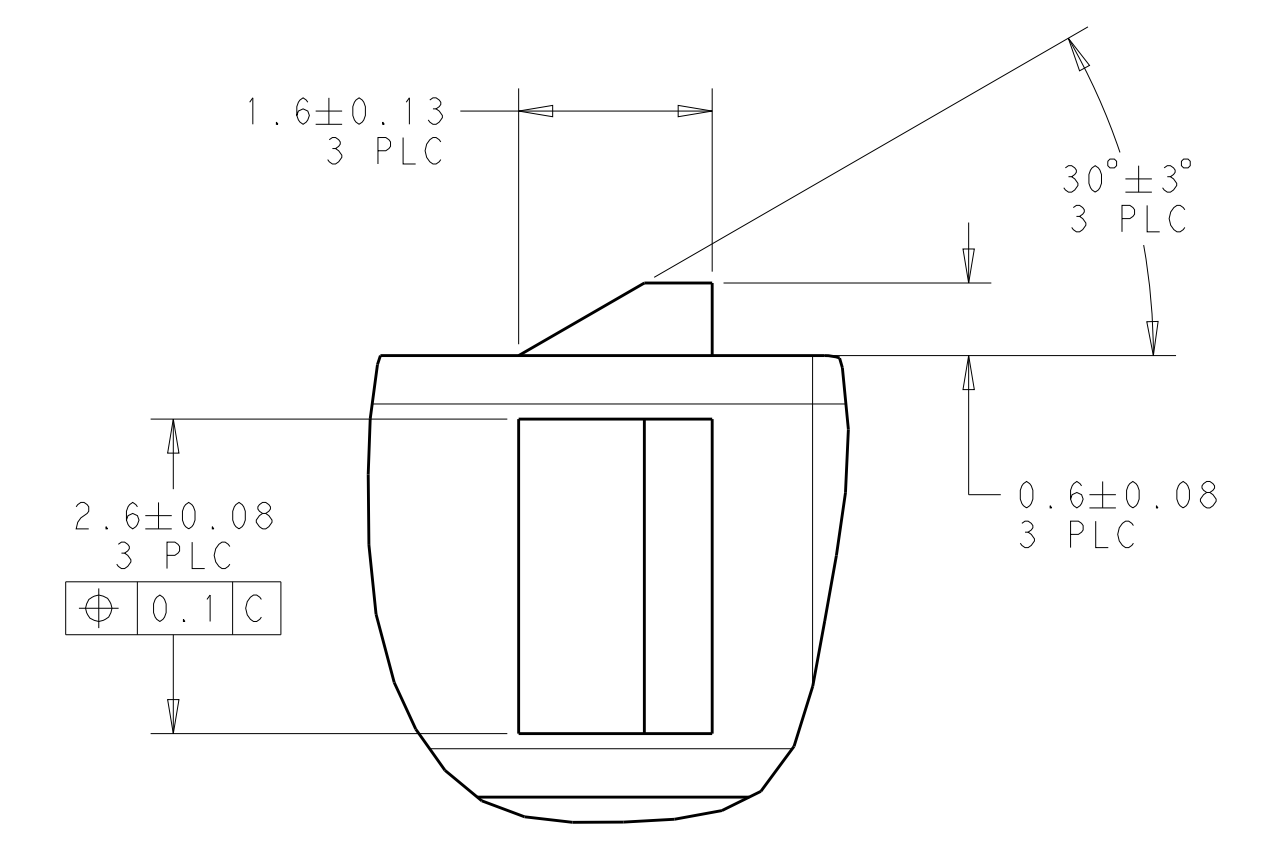
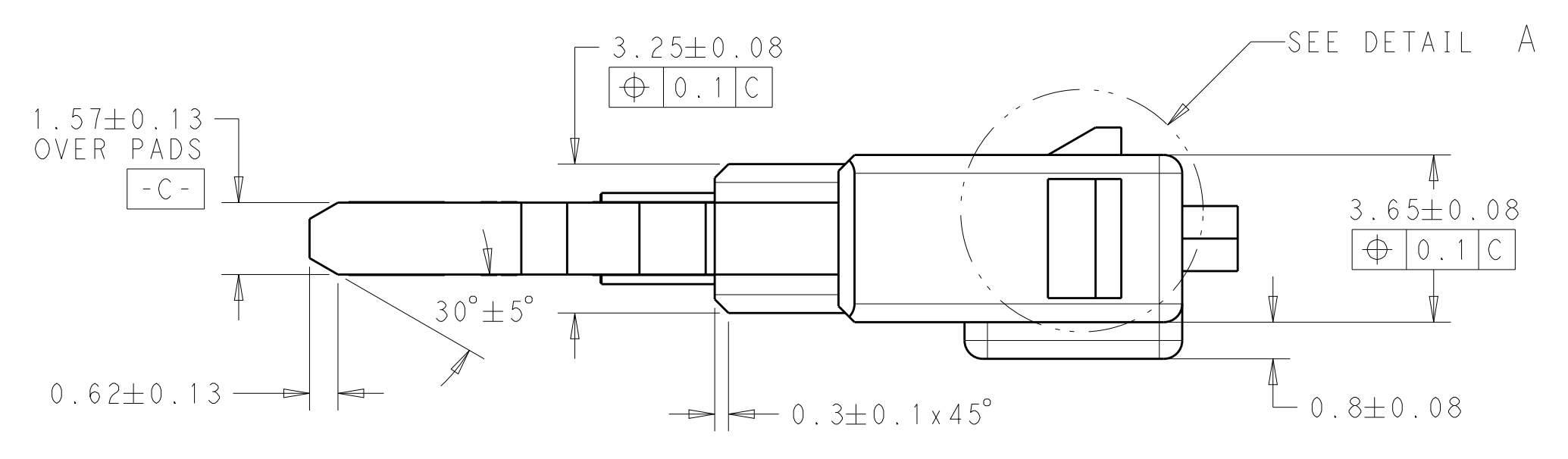
2317815-1
 PART NO

THIS DRAWING IS A CONTROLLED DOCUMENT.		DWN T. SMITH 09JAN2018	TE Connectivity	
DIMENSIONS:		CHK G. GUTGOLD 09JAN2018	NAME PLUG KIT, 50 POSN, SLIVER	
mm	TOLERANCES UNLESS OTHERWISE SPECIFIED:	APVD G. GUTGOLD 09JAN2018	PRODUCT SPEC	
0 PLC	±	APPLICATION SPEC		
1 PLC	±	SIZE CAGE CODE DRAWING NO		
2 PLC	±	RESTRICTED TO		
3 PLC	±	A1 - C=2317815		
4 PLC	±	SCALE 4:1 SHEET 1 OF 2 REV A		
ANGLES	±	CUSTOMER DRAWING		
MATERIAL	FINISH	WEIGHT		

REVISIONS				
P.	LTN	DESCRIPTION	DATE	OWN APVD
-	-	SEE SHEET 1	-	-



RECOMMENDED OVERMOLD MATERIAL
 THERMOPLASTIC POLYAMIDE OR
 EQUIVALENT. DUROMETER 82 SHORE A
 MINIMUM.



DETAIL A
 SCALE 16:1

OVERMOLDED PCB REQUIREMENTS

THIS DRAWING IS A CONTROLLED DOCUMENT.		OWN T. SMITH 09JAN2018	TE Connectivity
DIMENSIONS:		CHK G. GUTGOLD 09JAN2018	
mm	0 PLC ±	APVD G. GUTGOLD 09JAN2018	NAME PLUG KIT, 50 POSN, SLIVER
	1 PLC ±	PRODUCT SPEC	SIZE CAGE CODE DRAWING NO
	2 PLC ±	APPLICATION SPEC	A1 - C=2317815
	3 PLC ±	WEIGHT	SCALE 8:1 SHEET 2 OF 2 REV A
	4 PLC ±	CUSTOMER DRAWING	
MATERIAL	FINISH		

X-ON Electronics

Largest Supplier of Electrical and Electronic Components

Click to view similar products for [I/O Connectors](#) category:

Click to view products by [TE Connectivity](#) manufacturer:

Other Similar products are found below :

[571763P](#) [58098-0628](#) [72.250.1628.2](#) [72.250.2428.2](#) [74720-0505](#) [76.350.0729.0](#) [76871-1403](#) [FCN-244F080-G/1](#) [FCN-260A9920](#) [PCR-E36PM](#) [PCS-XE26MA+](#) [G38A71314B](#) [DX40-50P\(55\)](#) [1571250010](#) [157-22500-3](#) [MS3471L14-19P L/C](#) [91-569786-35H](#) [172501-4002](#) [172501-6002](#) [FCN-260C008-A/L0](#) [FCN-260C024-AL0](#) [FCN-261Z008](#) [2000314-1](#) [200331-1](#) [PCR-E36FC+](#) [PCS-E28FS+](#) [PCS-XE26SLFD+](#) [PCS-XE26SLFDT+](#) [G730VID08BDC24](#) [U90B2054081210](#) [UE86K842720321](#) [38113800006](#) [DP3AR020WQ1R200](#) [Z4.102.0680.0](#) [500-1040](#) [500-1052](#) [500-1054](#) [ZP-4008-66L](#) [0709821002](#) [10-565995-597N](#) [DX40-20P\(55\)](#) [5554841-1](#) [MS3474W18-8P-LC*](#) [U90B3054061110](#) [U65-E04-4020](#) [ZPF000000000097891](#) [557-262M2-06C](#) [747360449](#) [10099439-003C-TRLF](#) [10137239-0021LF](#)