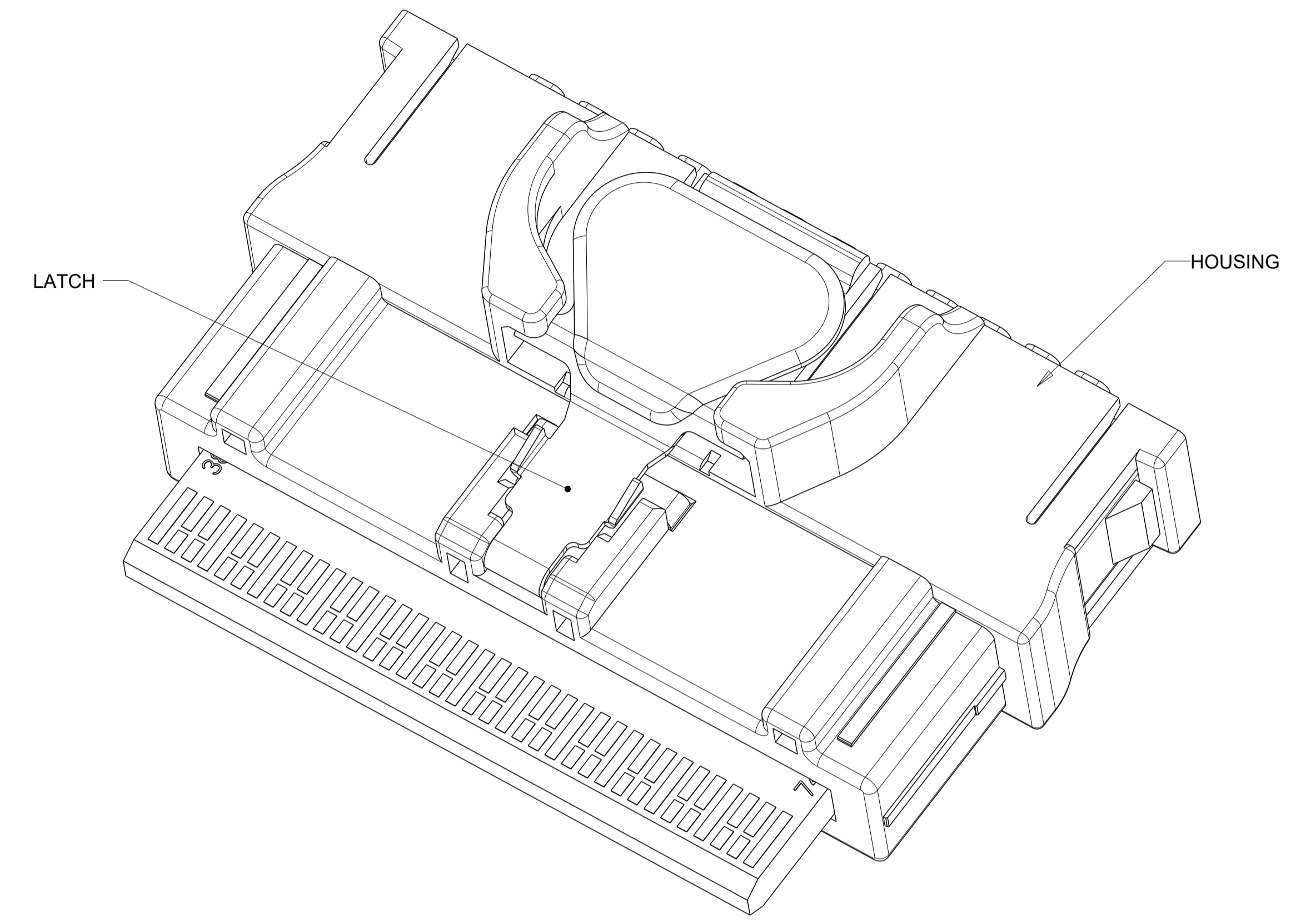
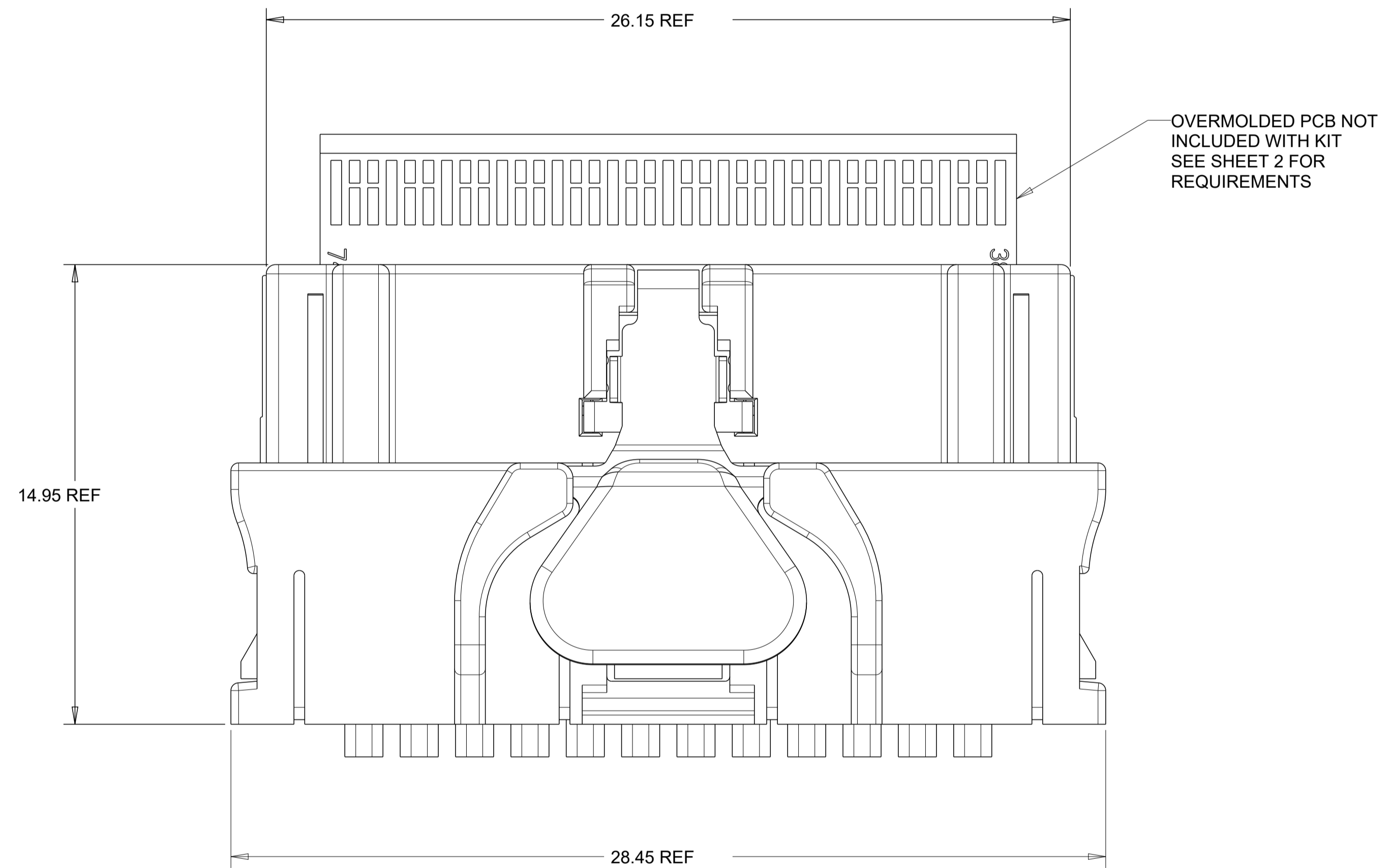
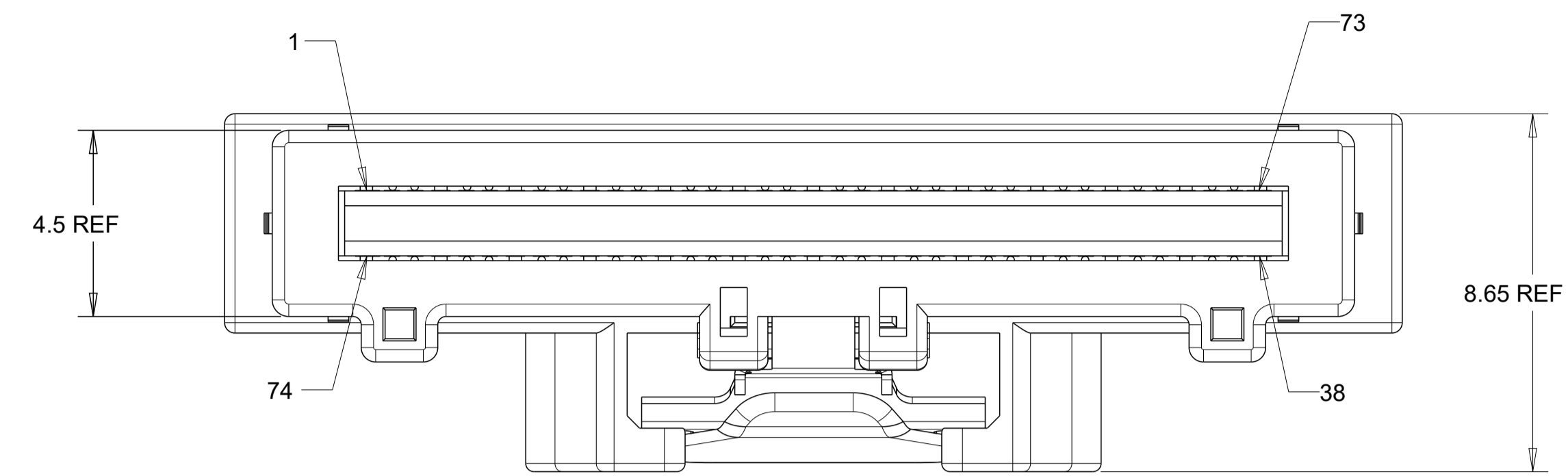


REVISIONS					
P	LTR	DESCRIPTION	DATE	DWN	APVD
A		RELEASED	08JAN2018	TS	GG
B		ECO-18-013511	19JULY2018	AH	DZ

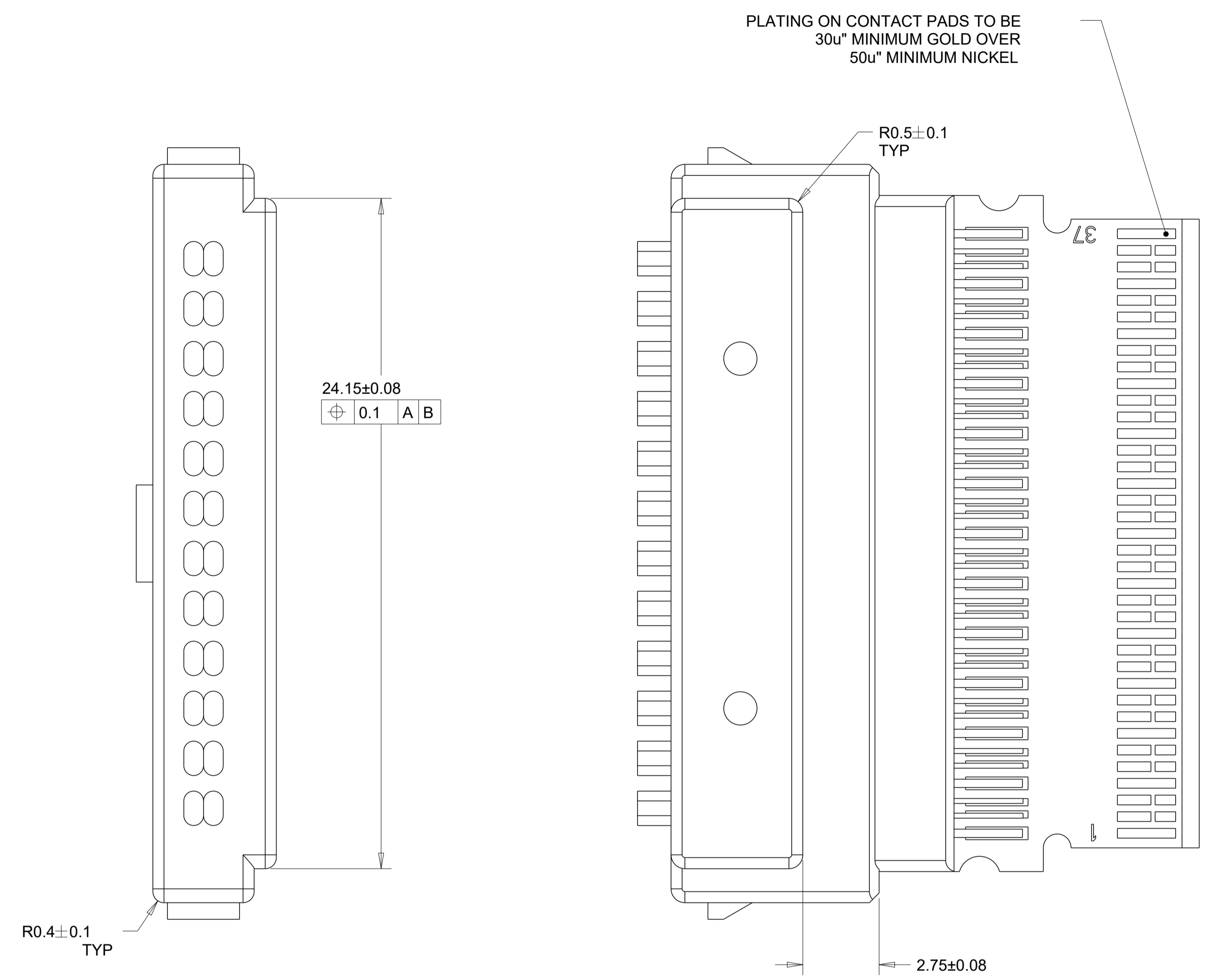
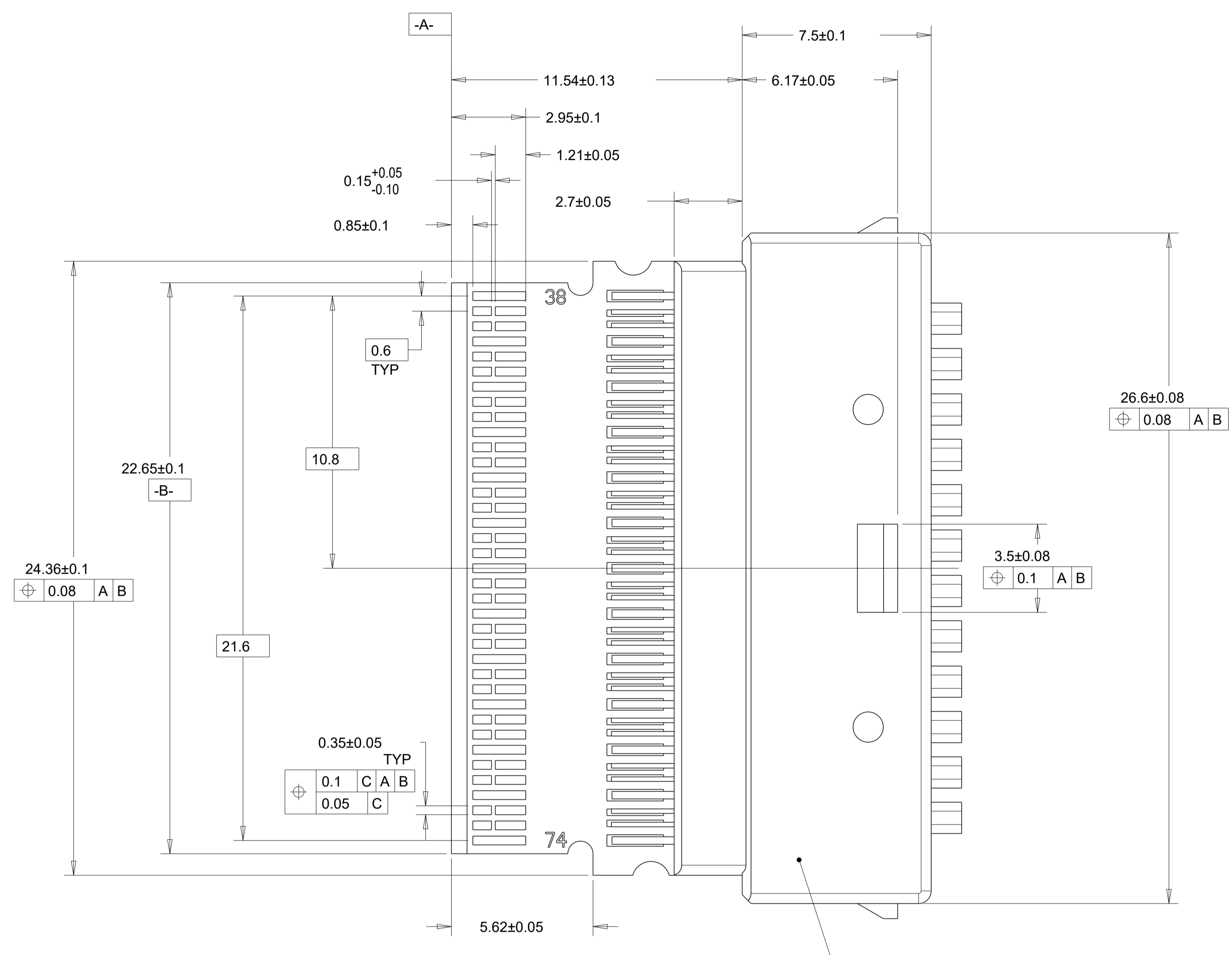


1. ALL MATERIALS, COMPONENTS AND PROCESS SHALL COMPLY WITH TEC-138-702. CONTAINS NO BANNED OR RESTRICTED SUBSTANCES.
2. NO REACH SVHC SHALL BE CONTAINED ABOVE THE THRESHOLD AS DEFINED IN REACH SVHC COMPLIANCE DEFINITION IN ANNEX A OF TEC-138-702.
3. SEE SHEET 2 FOR OVERMOLDED PCB REQUIREMENTS.

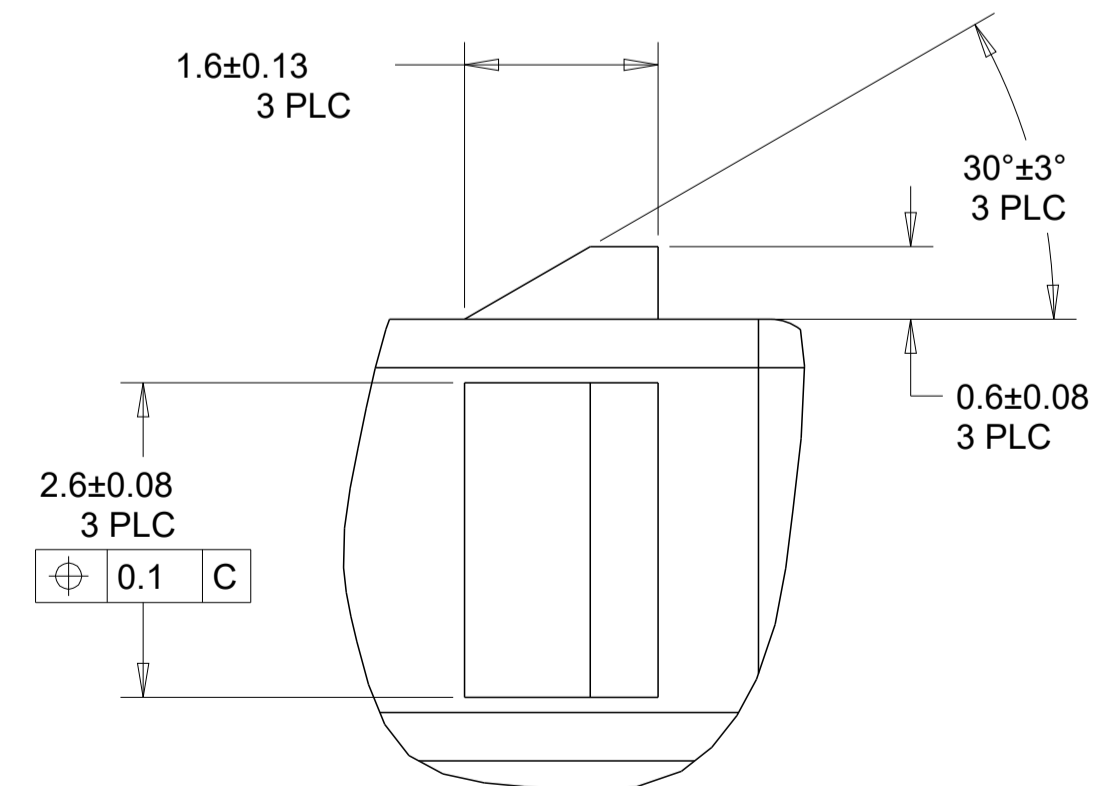
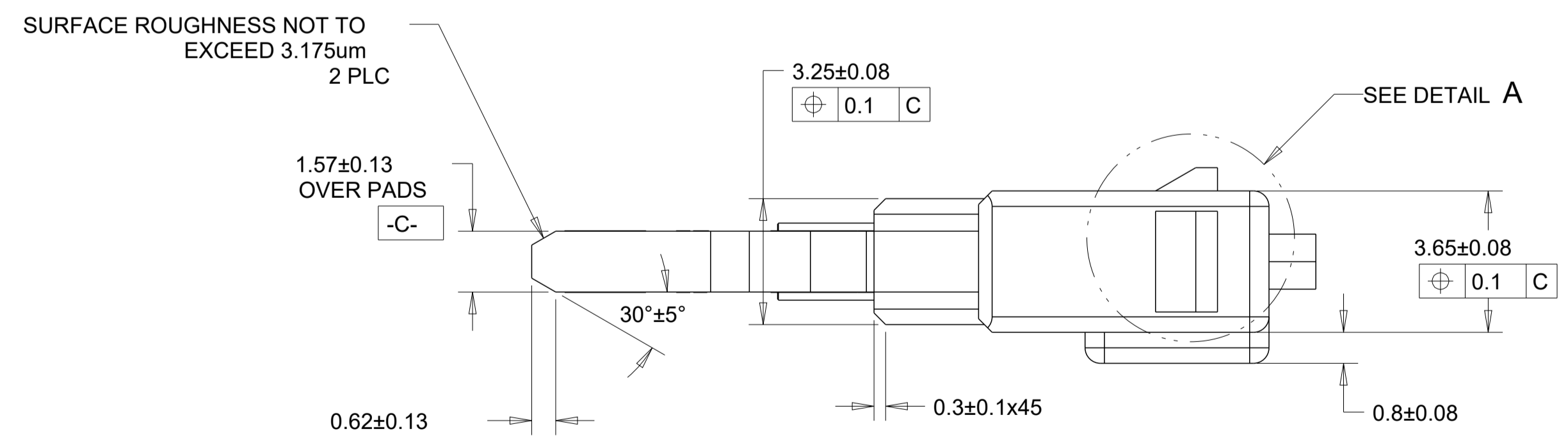
2317823-1
 PART NO

THIS DRAWING IS A CONTROLLED DOCUMENT.		DWN: T. SMITH 08JAN2018	
DIMENSIONS: min		CHK: G. GUTGOLD 08JAN2018	
TOLERANCES UNLESS OTHERWISE SPECIFIED:		APVD: G. GUTGOLD 08JAN2018	NAME: PLUG KIT, 74 POSN, SLIVER
0 PLC ±	1 PLC ±	PRODUCT SPEC	SIZE: A1
2 PLC ±	3 PLC ±	APPLICATION SPEC	CAGE CODE: -
4 PLC ±	ANGLES ±	WEIGHT: -	DRAWING NO: 2317823
MATERIAL: -	FINISH: -	CUSTOMER DRAWING	RESTRICTED TO: -
SCALE: 8:1			SHEET: 1 OF 2
REV: B			

REVISIONS				
P	LTR	DESCRIPTION	DATE	APP'D
-		SEE SHEET 1	-	-



RECOMMENDED OVERMOLD MATERIAL
 THERMOPLASTIC POLYAMIDE OR
 EQUIVALENT. DUROMETER 82 SHORE A
 MINIMUM.



OVERMOLDED PCB REQUIREMENTS

THIS DRAWING IS A CONTROLLED DOCUMENT.		DWN: T. SMITH 09JAN2018	 TE Connectivity
DIMENSIONS: min		CHK: G. GUTGOLD 09JAN2018	
		APVD: S. GUTGOLD 09JAN2018	NAME: PLUG KIT, 74 POSN, SLIVER
TOLERANCES UNLESS OTHERWISE SPECIFIED:		PRODUCT SPEC	APPLICATION SPEC
0 PLC ± 1 PLC ± 2 PLC ± 3 PLC ± 4 PLC ± ANGLES ±		SIZE: A1	CAGE CODE: -
MATERIAL: -		WEIGHT: -	DRAWING NO: C=2317823
		CUSTOMER DRAWING	RESTRICTED TO: -
		SCALE: 6:1	SHEET: 2 OF 2
			REV: B

X-ON Electronics

Largest Supplier of Electrical and Electronic Components

Click to view similar products for [I/O Connectors](#) category:

Click to view products by [TE Connectivity](#) manufacturer:

Other Similar products are found below :

[571763P](#) [58098-0628](#) [72.250.1628.2](#) [72.250.2428.2](#) [74720-0505](#) [76.350.0729.0](#) [76871-1403](#) [FCN-244F080-G/1](#) [FCN-260A9920](#) [PCR-E36PM](#) [PCS-XE26MA+](#) [G38A71314B](#) [1571250010](#) [157-22500-3](#) [MS3471L14-19P L/C](#) [172501-4002](#) [172501-6002](#) [FCN-260C008-A/L0](#) [FCN-260C024-AL0](#) [FCN-261Z008](#) [2000314-1](#) [200331-1](#) [PCR-E36FC+](#) [PCS-E28FS+](#) [PCS-XE26SLFD+](#) [PCS-XE26SLFDT+](#) [G730VID08BDC24](#) [U90B2054081210](#) [38113800006](#) [DP3AR020WQ1R200](#) [Z4.102.0680.0](#) [500-1040](#) [500-1052](#) [500-1054](#) [ZP-4008-66L](#) [0709821002](#) [DX40-20P\(55\)](#) [5554841-1](#) [MS3474W18-8P-LC*](#) [U90B3054061110](#) [U65-E04-4020](#) [ZPF000000000097891](#) [747360449](#) [10099439-003C-TRLF](#) [10137239-0021LF](#) [E9320-001-01](#) [10137239-0011LF](#) [70289-001LF](#) [70.060.1028.0](#) [109029-ZZ](#)