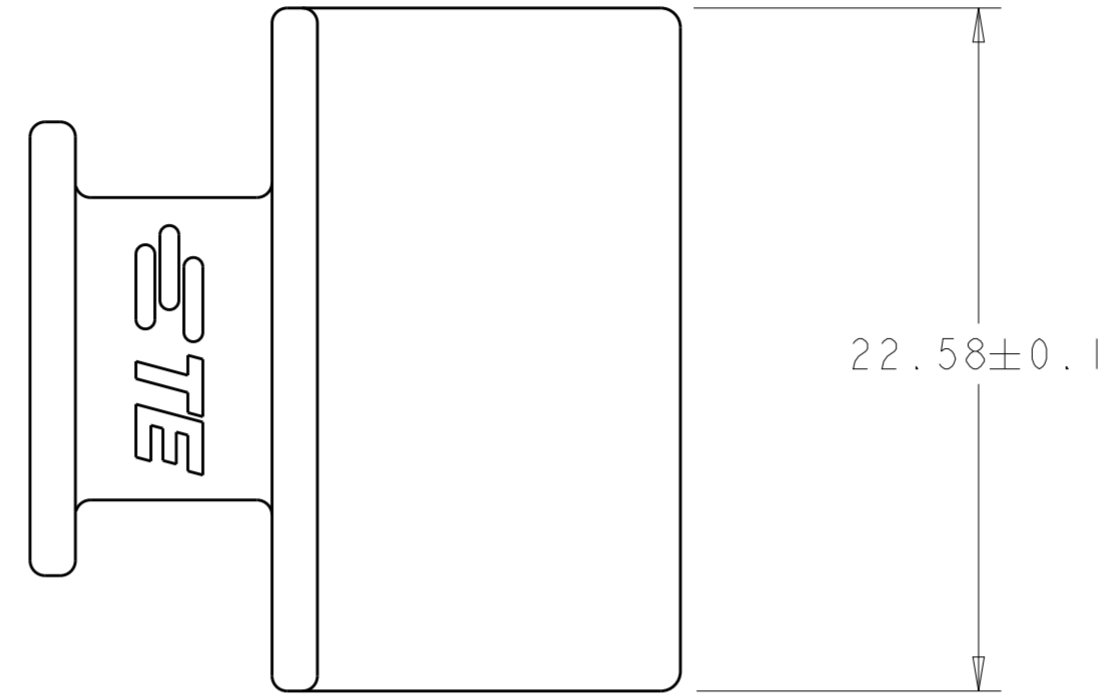
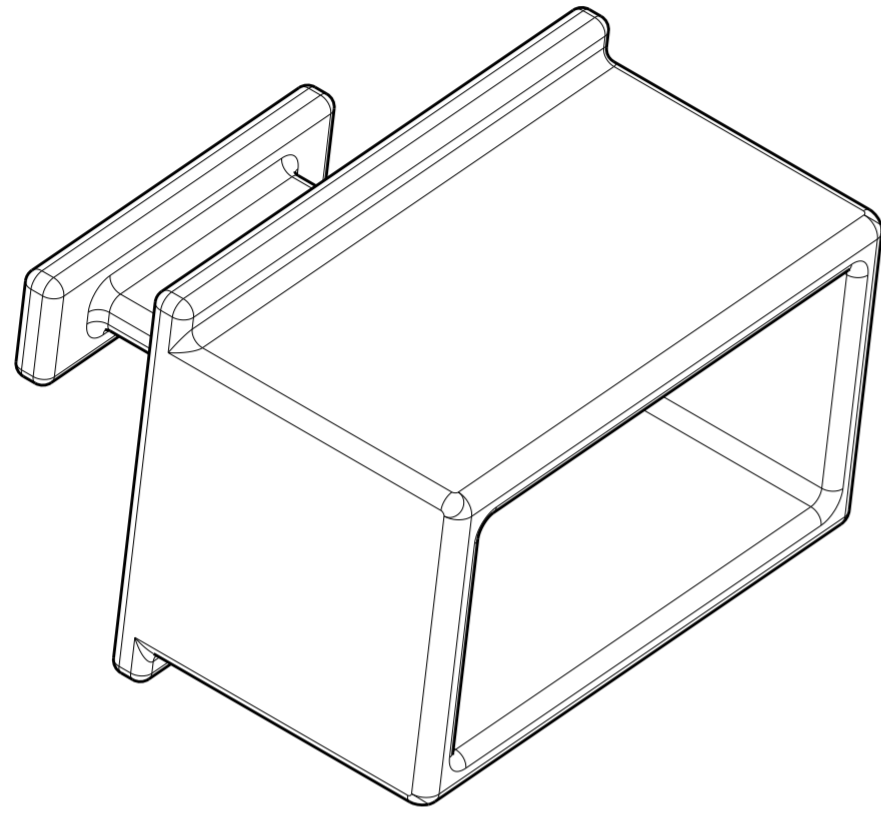
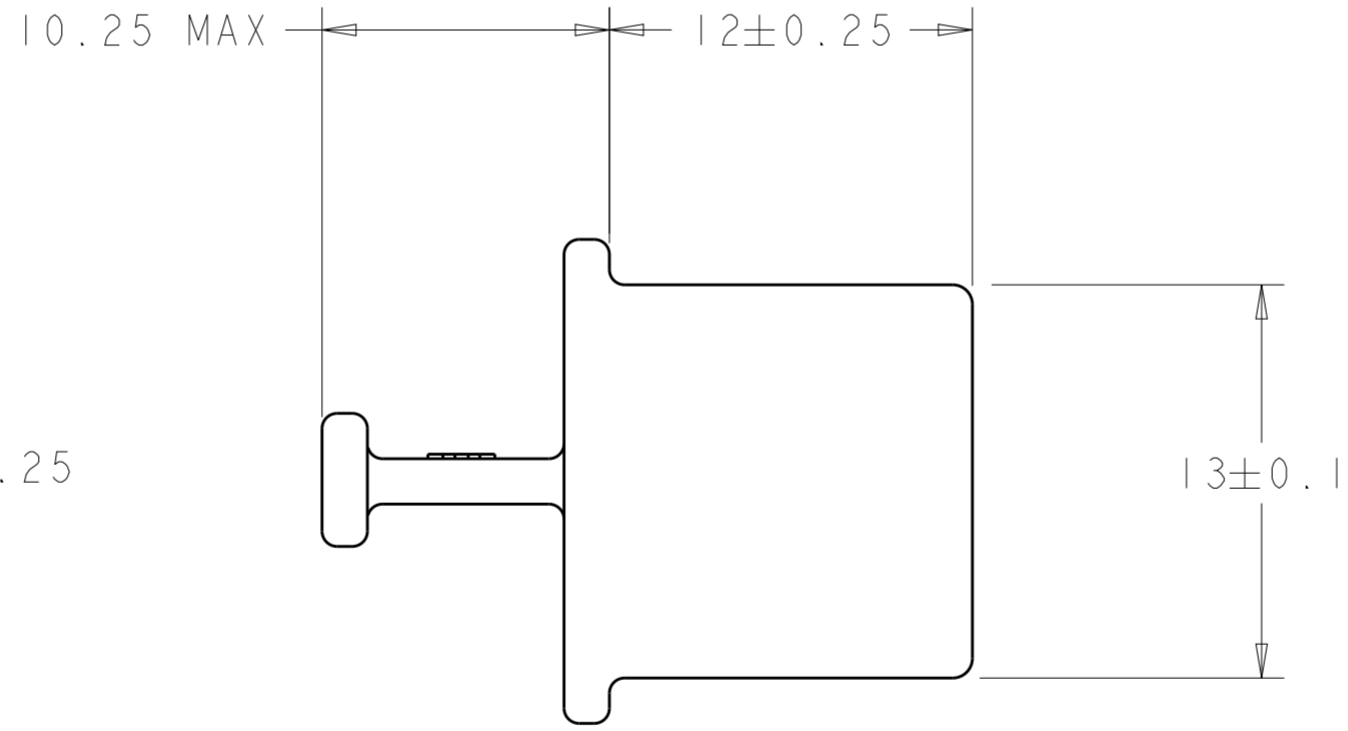
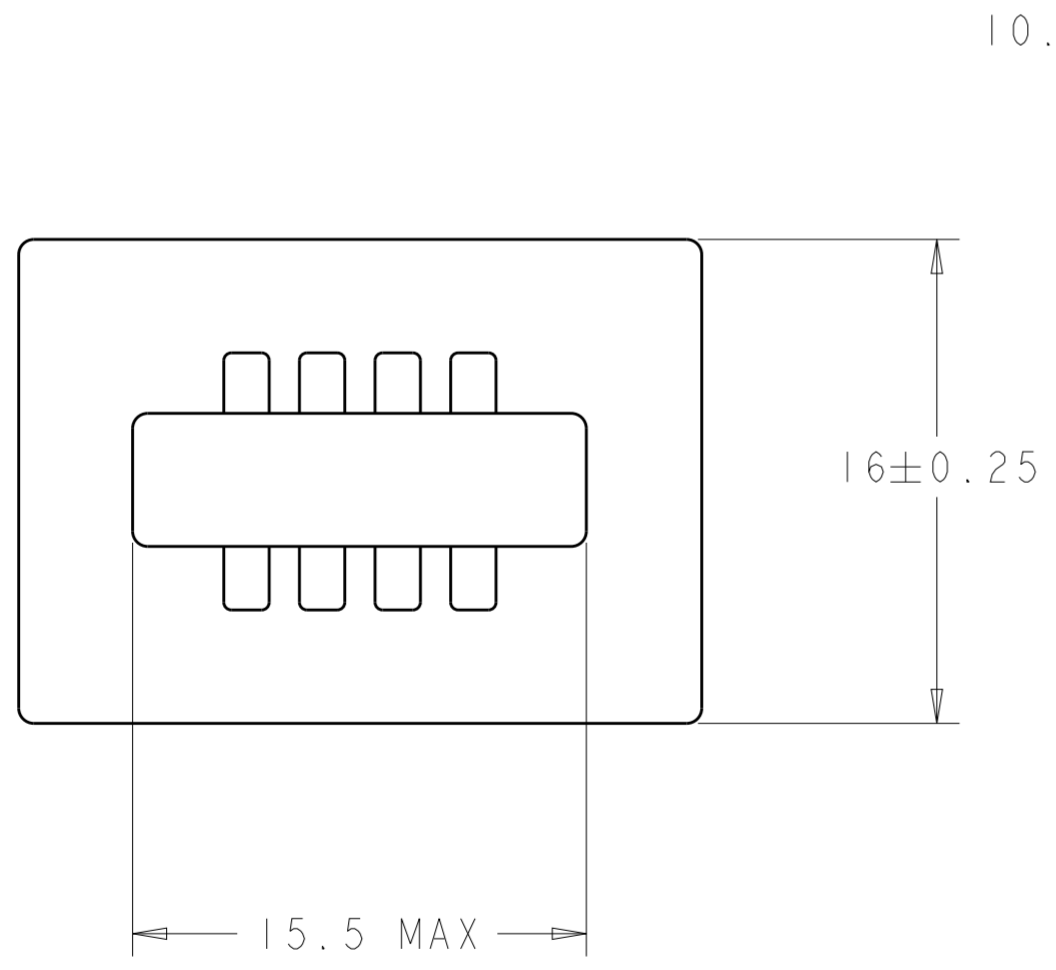


THIS DRAWING IS UNPUBLISHED. RELEASED FOR PUBLICATION 2017
 © COPYRIGHT 2017 BY - ALL RIGHTS RESERVED.

REVISIONS				
P	LTR	DESCRIPTION	DATE	APVD
A		RELEASED PER ECO-18-006968	29MAY2018	CJV EDB



1 MATERIAL: ZINC ALLOY.
 2 FINISH: 1.27µm MIN NICKEL OVER 5.08µm MIN COPPER.



2317857-2
 PART NUMBER

THIS DRAWING IS A CONTROLLED DOCUMENT.		DWN E BRIANT 20MAR2017	STE TE Connectivity																						
		CHK E BRIANT 20MAR2017																							
		APVD E BRIANT 20MAR2017	NAME EMI AND DUST COVER, OSFP																						
DIMENSIONS: mm		TOLERANCES UNLESS OTHERWISE SPECIFIED:		PRODUCT SPEC																					
<table border="0"> <tr><td>0 PLC</td><td>±</td><td>-</td></tr> <tr><td>1 PLC</td><td>±0.5</td><td></td></tr> <tr><td>2 PLC</td><td>±0.13</td><td></td></tr> <tr><td>3 PLC</td><td>±0.013</td><td></td></tr> <tr><td>4 PLC</td><td>±0.0001</td><td></td></tr> <tr><td>ANGLES</td><td>±</td><td></td></tr> <tr><td>FINISH</td><td>±</td><td></td></tr> </table>		0 PLC	±	-	1 PLC	±0.5		2 PLC	±0.13		3 PLC	±0.013		4 PLC	±0.0001		ANGLES	±		FINISH	±		APPLICATION SPEC		SIZE
0 PLC	±	-																							
1 PLC	±0.5																								
2 PLC	±0.13																								
3 PLC	±0.013																								
4 PLC	±0.0001																								
ANGLES	±																								
FINISH	±																								
MATERIAL		WEIGHT		CAGE CODE																					
1		2		DRAWING NO																					
		CUSTOMER DRAWING		RESTRICTED TO																					
		SCALE 4:1		REV A																					

X-ON Electronics

Largest Supplier of Electrical and Electronic Components

Click to view similar products for [I/O Connectors](#) category:

Click to view products by [TE Connectivity](#) manufacturer:

Other Similar products are found below :

[571763P](#) [58098-0628](#) [72.250.1628.2](#) [72.250.2428.2](#) [74720-0505](#) [76.350.0729.0](#) [76871-1403](#) [FCN-244F080-G/1](#) [FCN-260A9920](#) [PCR-E36PM](#) [PCS-XE26MA+](#) [G38A71314B](#) [1571250010](#) [157-22500-3](#) [MS3471L14-19P L/C](#) [172501-4002](#) [172501-6002](#) [FCN-260C008-A/L0](#) [FCN-260C024-AL0](#) [FCN-261Z008](#) [2000314-1](#) [200331-1](#) [PCR-E36FC+](#) [PCS-E28FS+](#) [PCS-XE26SLFD+](#) [PCS-XE26SLFDT+](#) [G730VID08BDC24](#) [U90B2054081210](#) [38113800006](#) [DP3AR020WQ1R200](#) [Z4.102.0680.0](#) [500-1040](#) [500-1052](#) [500-1054](#) [ZP-4008-66L](#) [0709821002](#) [DX40-20P\(55\)](#) [5554841-1](#) [MS3474W18-8P-LC*](#) [SM3106F14S-7S-LC](#) [U90B3054061110](#) [U65-E04-4020](#) [ZPF00000000097891](#) [747360449](#) [10099439-003C-TRLF](#) [10137239-0021LF](#) [E9320-001-01](#) [10137239-0011LF](#) [70289-001LF](#) [70.060.1028.0](#)