

4

3

2

1

THIS DRAWING IS UNPUBLISHED.

RELEASED FOR PUBLICATION

20

© COPYRIGHT 20

BY -

ALL RIGHTS RESERVED.

REVISIONS

P	LTR	DESCRIPTION	DATE	DWN	APVD
	A	INITIAL RELEASE	15 JAN 18	LP	TD

TE TRADE MARK

NOTE:

1. MATERIAL, NYLON 66, UL 94 V-0.
2. GWT 750 °C VERSION, ACCORDING TO IEC 60335-1.
3. SHEET 1 FOR POD-LOK 250 FLAG HSG, *-1969772-*.
SHEET 2 FOR POD-LOK 187 FLAG HSG, *-2299289-*.

NATURAL	NYLON	2317947-1
COLOUR	MATERIAL	P/N

THIS DRAWING IS A CONTROLLED DOCUMENT.

DWN 11 APR 2017

CHK LEI PAN

11 APR 2017

APVD LEI PAN

11 APR 2017

TIM DING

PRODUCT SPEC

-

APPLICATION SPEC

-

WEIGHT

-

CUSTOMER DRAWING

NAME
POD-LOK FLAG BACKCOVER

SIZE CAGE CODE DRAWING NO RESTRICTED TO

A3 - ©-2317947 -

SCALE SHEET 1 OF 2 REV A

5:1 1 OF 2 A

DIMENSIONS:

mm

TOLERANCES UNLESS OTHERWISE SPECIFIED:

0 PLC	±-
1 PLC	±0.3
2 PLC	±-
3 PLC	±-
4 PLC	±-
ANGLES	±-

MATERIAL

-

FINISH

-

TE Connectivity

1470-19 (3/13)

THIS DRAWING IS UNPUBLISHED.

RELEASED FOR PUBLICATION

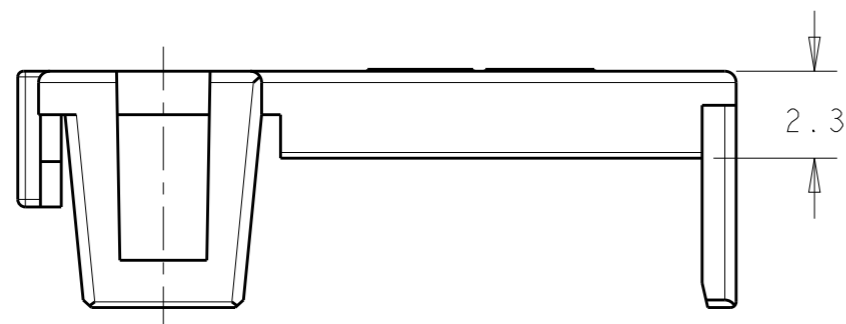
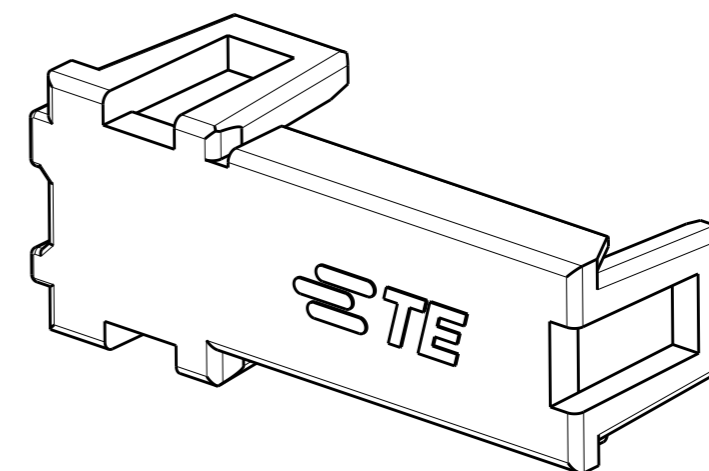
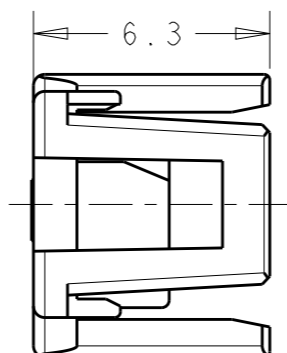
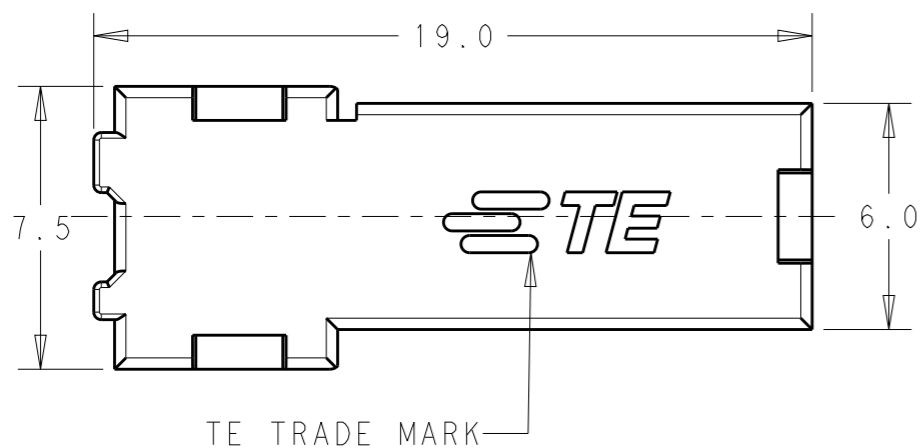
20

© COPYRIGHT 20 BY -

ALL RIGHTS RESERVED.

REVISIONS

P	LTR	DESCRIPTION	DATE	DWN	APVD
		SEE SEET 1			



NATURAL	NYLON	2317947-2
COLOUR	MATERIAL	P/N

THIS DRAWING IS A CONTROLLED DOCUMENT.		DWN LEI PAN 11APR2017	TE Connectivity	
DIMENSIONS: mm		CHK LEI PAN 11APR2017		
TOLERANCES UNLESS OTHERWISE SPECIFIED:		APVD TIM DING 11APR2017	NAME POD-LOK FLAG BACKCOVER	
0 PLC ± - 1 PLC ± 0.3 2 PLC ± - 3 PLC ± - 4 PLC ± - ANGLES ± -		PRODUCT SPEC -	RESTRICTED TO -	
MATERIAL -		APPLICATION SPEC -	SIZE A3	CAGE CODE -
FINISH -		WEIGHT -	DRAWING NO G-2317947	
		CUSTOMER DRAWING		SCALE 4:1
				SHEET 2 OF 2
				REV A

X-ON Electronics

Largest Supplier of Electrical and Electronic Components

Click to view similar products for [Terminals](#) category:

Click to view products by [TE Connectivity](#) manufacturer:

Other Similar products are found below :

[00-054007-01074-6](#) [00-054007-70206-1](#) [00-054007-70210-8](#) [00-054007-70217-7](#) [00-054007-70226-9](#) [00-054007-70228-3](#) [00-054007-70248-1](#) [00-054007-70256-6](#) [00-054007-70301-3](#) [00-054007-70316-7](#) [0-0320562-0](#) [00-054007-49560-4](#) [00-054007-70209-2](#) [00-054007-70225-2](#) [00-054007-70227-6](#) [00-054007-70231-3](#) [00-054007-70241-2](#) [00-054007-70242-9](#) [00-054007-70244-3](#) [00-054007-70246-7](#) [00-054007-70263-4](#) [00-054007-70288-7](#) [00-054007-70290-0](#) [00-054007-70300-6](#) [00-054007-70304-4](#) [01-2065-1-0216](#) [01-2900-1-04412](#) [00581P0075](#) [600TS-10](#) [60205-1](#) [604200-1](#) [605601-1](#) [60598-1-CUT-TAPE](#) [61314-6-C](#) [61810-3](#) [61-S](#) [61-SN](#) [626-0194](#) [62-NBM-A](#) [62-SN](#) [62-SP](#) [63-S](#) [640179-1](#) [M55155/059I03](#) [M55155/079C01](#) [M55155/099H02](#) [M55155/109H01](#) [M55155/109H02](#) [M55155/12XH05](#) [M55155/16XH02](#)