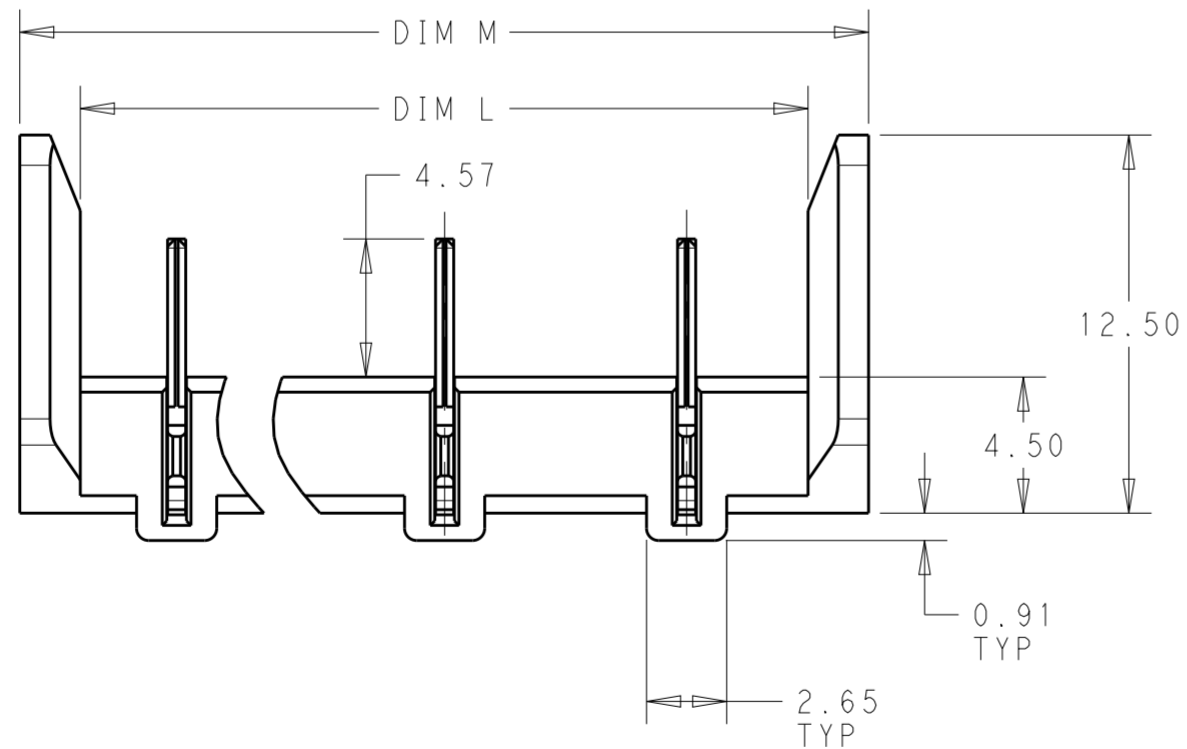
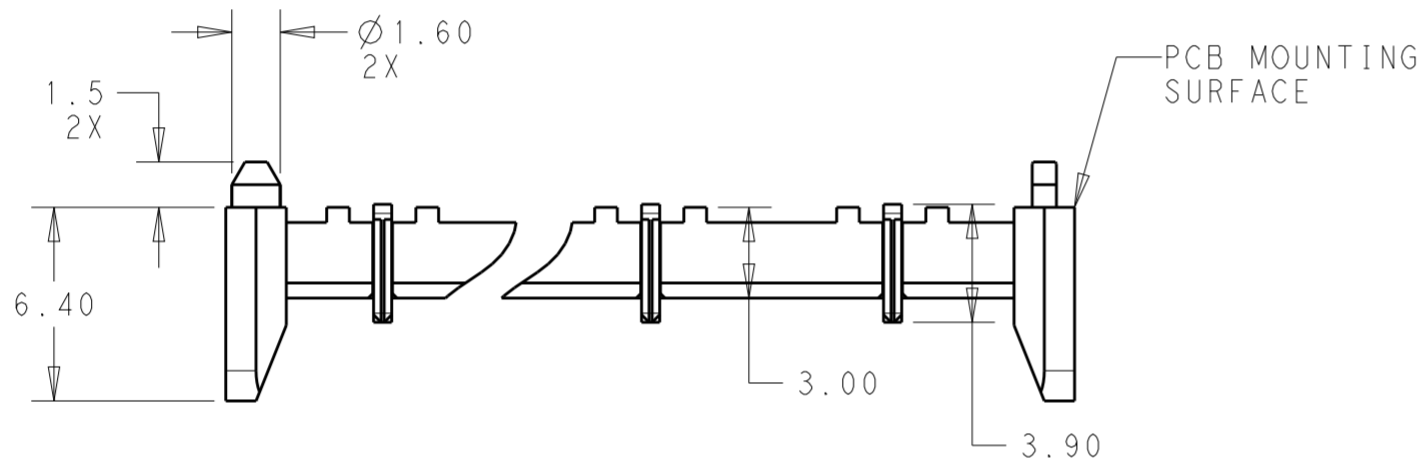
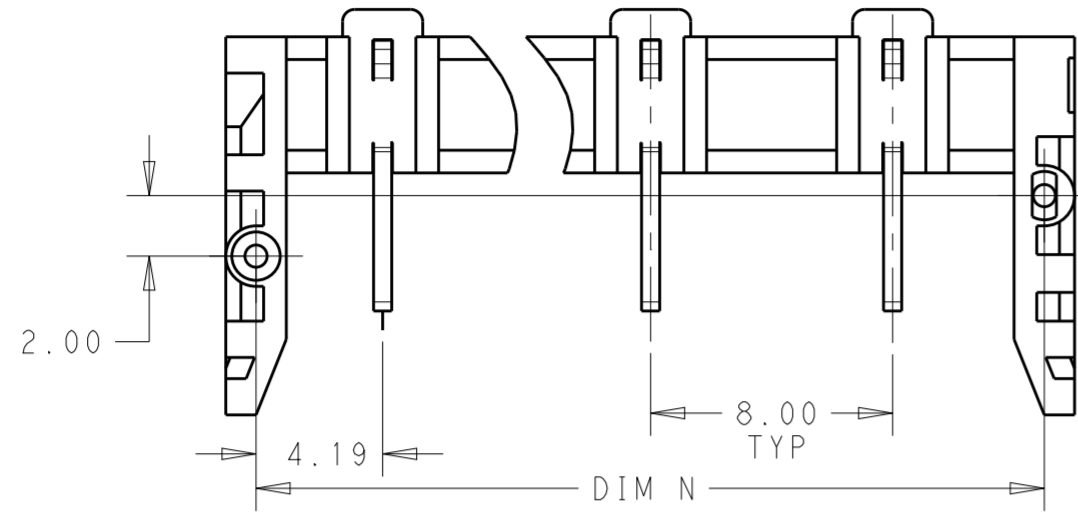


THIS DRAWING IS UNPUBLISHED. RELEASED FOR PUBLICATION  
 © COPYRIGHT copyright.d8te- ALL RIGHTS RESERVED.

REVISIONS				
P	LTR	DESCRIPTION	DATE	APVD
3		PART UPDATE	07FEB2018	JS ML
A		ECR-18-011659	24JUL2018	GCM DD
A1		ECR-18-011838	27JUL2018	RSM DD
A2		ECR-18-013416	17SEP2018	SR DD



NOTES:

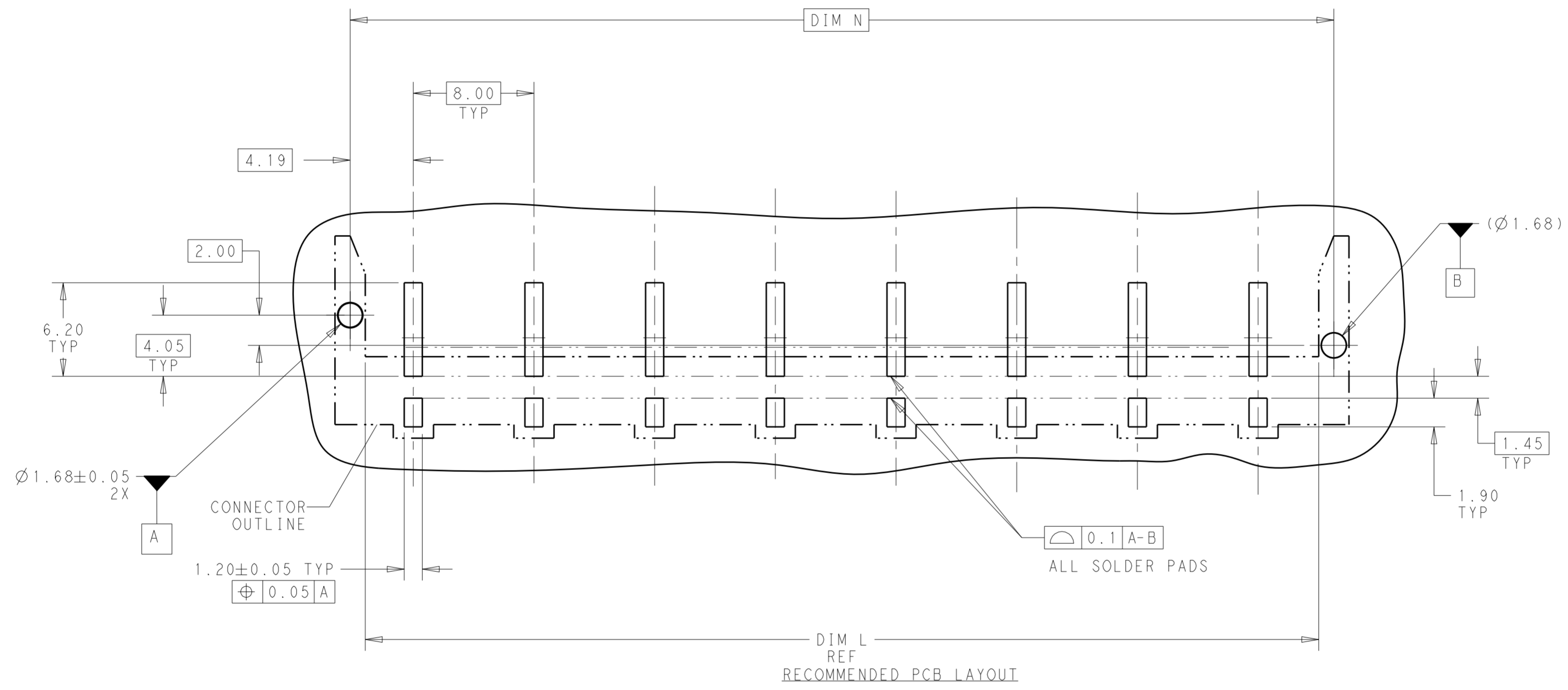
- MATERIALS AND FINISH:  
 -HOUSING: GF LCP, COLOR: NATURAL  
 -CONTACTS: COPPER ALLOY, FINISH: Sn OVER Ni
- MUST COMPLY WITH DIRECTIVE 2002/95/EC (ROHS)
- THIS PRODUCT HAS NOT COMPLETED VALIDATION TESTING
- PACKAGED TAPE AND REEL (PER EIA 481 SPEC).

65.20	67.20	63.20	8	2318136-8
57.20	59.20	55.20	7	2318136-7
49.20	51.20	47.20	6	2318136-6
41.20	43.20	39.20	5	2318136-5
33.20	35.20	31.20	4	2318136-4
25.20	27.20	23.20	3	2318136-3
17.20	19.20	15.20	2	2318136-2
DIM "N"	DIM "M"	DIM "L"	POSITION (REF)	TE PART NUMBER

THIS DRAWING IS A CONTROLLED DOCUMENT.		DWN J. SHAFFER 06 JULY 2017	TE Connectivity	
DIMENSIONS: mm		CHK MAREK LUKSIC 06 JUL 2017		
TOLERANCES UNLESS OTHERWISE SPECIFIED:		APVD MAREK LUKSIC 06 JUL 2017	NAME BUCHANAN WireMate WALL PLATE SMT HEADER, 8mm PITCH	
0 PLC ± 1 PLC ±0.20 2 PLC ±0.10 3 PLC ± 4 PLC ± ANGLES ± FINISH -		PRODUCT SPEC 108-133105	SIZE A2	CAGE CODE 00779
MATERIAL -		APPLICATION SPEC 114-133111	DRAWING NO C-2318136	RESTRICTED TO -
		WEIGHT -	SCALE 3:1 SHEET 1 OF 2 REV A2	
		CUSTOMER DRAWING		

THIS DRAWING IS UNPUBLISHED. RELEASED FOR PUBLICATION  
 © COPYRIGHT copyright.d8te- ALL RIGHTS RESERVED.

REVISIONS				
P	LTR	DESCRIPTION	DATE	APVD
-	-	SEE SHEET 1	-	-



DIM L  
 REF  
 RECOMMENDED PCB LAYOUT

THIS DRAWING IS A CONTROLLED DOCUMENT.		DWN J. SHAFFER 06 JULY 2017	TE Connectivity	
DIMENSIONS: mm 		CHK MAREK LUKSIC 06 JULY 2017		
TOLERANCES UNLESS OTHERWISE SPECIFIED: 0 PLC ± 1 PLC ±0.20 2 PLC ±0.10 3 PLC ± 4 PLC ± ANGLES ± FINISH ±		APVD MAREK LUKSIC 06 JULY 2017	PRODUCT SPEC -	RESTRICTED TO -
MATERIAL -		APPLICATION SPEC -	WEIGHT -	SCALE 3:1 SHEET 2 OF 2 REV A2
CUSTOMER DRAWING			SIZE A2	CAGE CODE C-2318136

## X-ON Electronics

Largest Supplier of Electrical and Electronic Components

*Click to view similar products for [Pluggable Terminal Blocks](#) category:*

*Click to view products by [TE Connectivity](#) manufacturer:*

Other Similar products are found below :

[57.510.0053](#) [MC 1.5/ 6-ST-3.5 GY AU](#) [ET02015000J0G](#) [734-104](#) [734-302](#) [8-141-P](#) [8426620000](#) [860505](#) [860516](#) [860810](#) [GBPACX-12](#)  
[93.731.4953.0](#) [PV05-5,08-K](#) [PVP02-5,00](#) [PVP03-3,50](#) [PVP04-3,50](#) [PVS02-5,00](#) [1-1986160-3](#) [1377680000](#) [1531000000](#) [1546228-5](#)  
[ELFH16150](#) [ELFP03110](#) [ELFP10210](#) [ELFT06250](#) [ELVP03100](#) [1700101](#) [1700410](#) [1700425](#) [1702246](#) [1705229](#) [1710175](#) [1714537](#) [1717806](#)  
[1719600](#) [1728941](#) [1734692](#) [1734795](#) [1736036](#) [1740194](#) [1740291](#) [1740628](#) [1740990](#) [1746952](#) [1750207](#) [1752441](#) [1752865](#) [1754115](#)  
[1754144](#) [1756913](#)