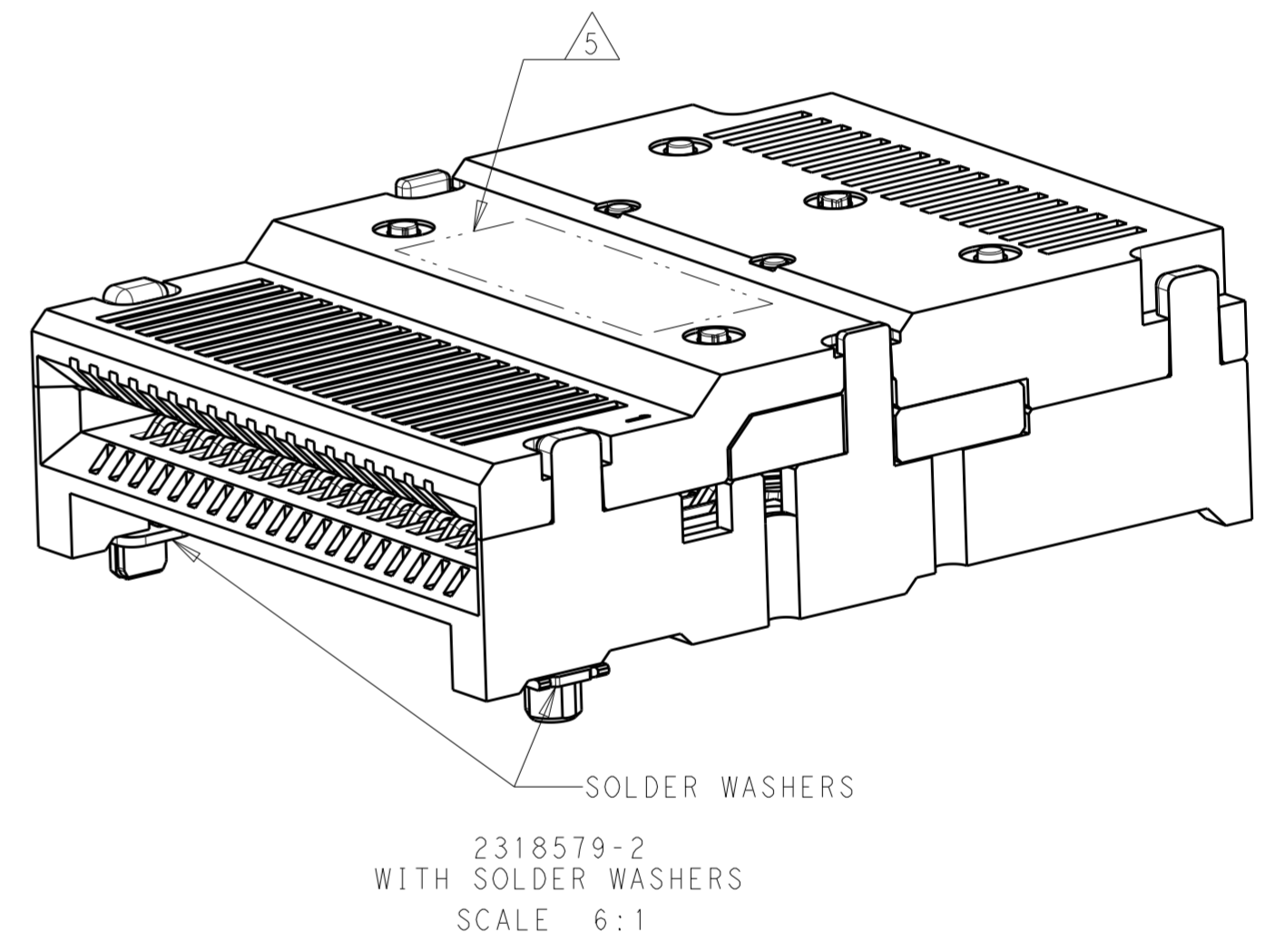
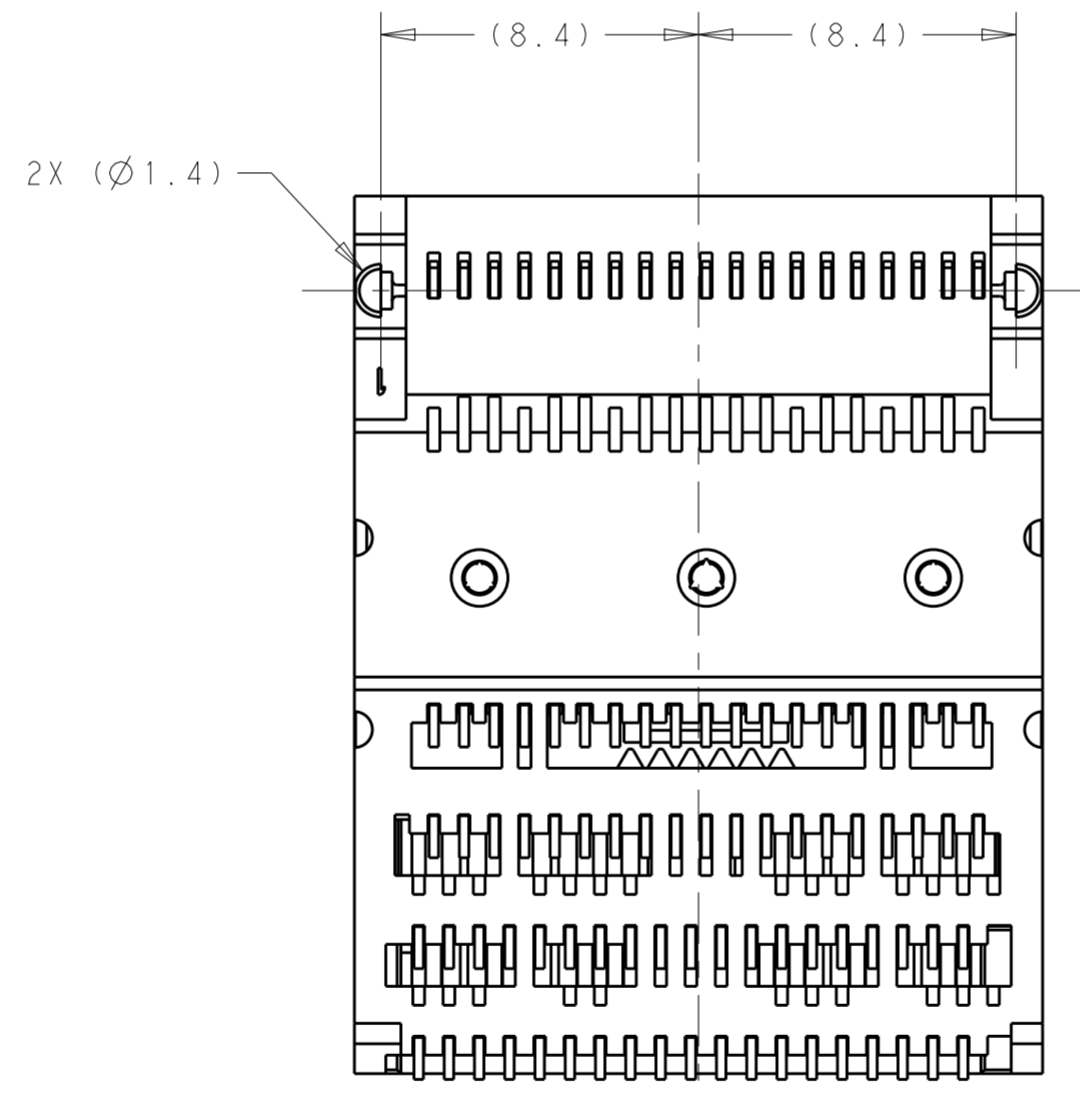
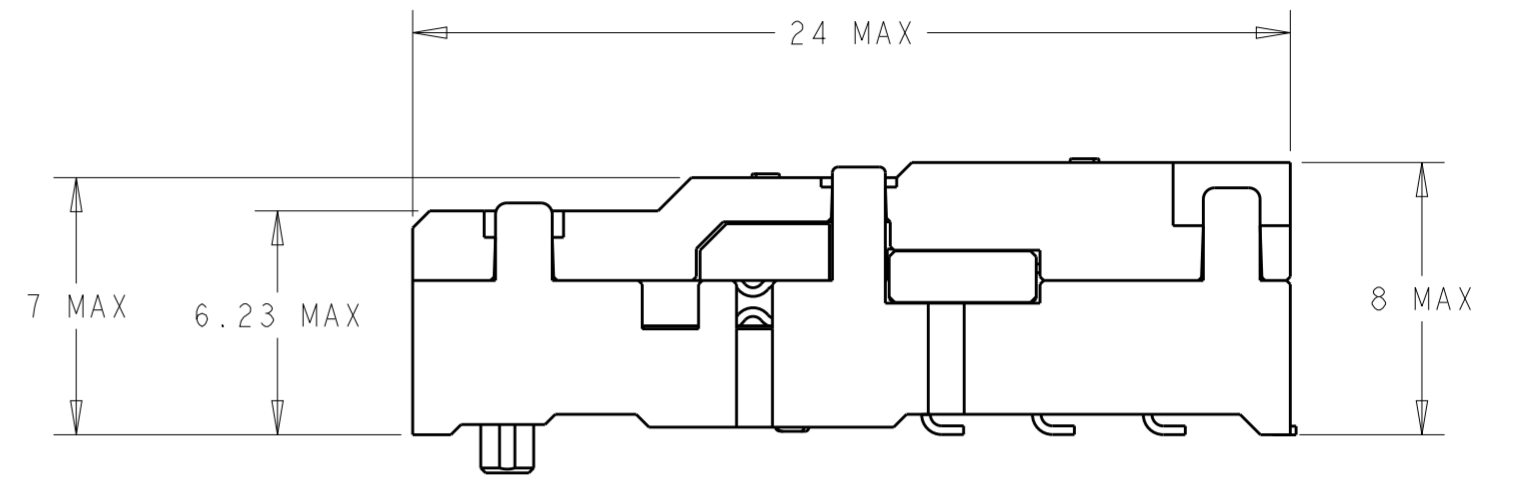
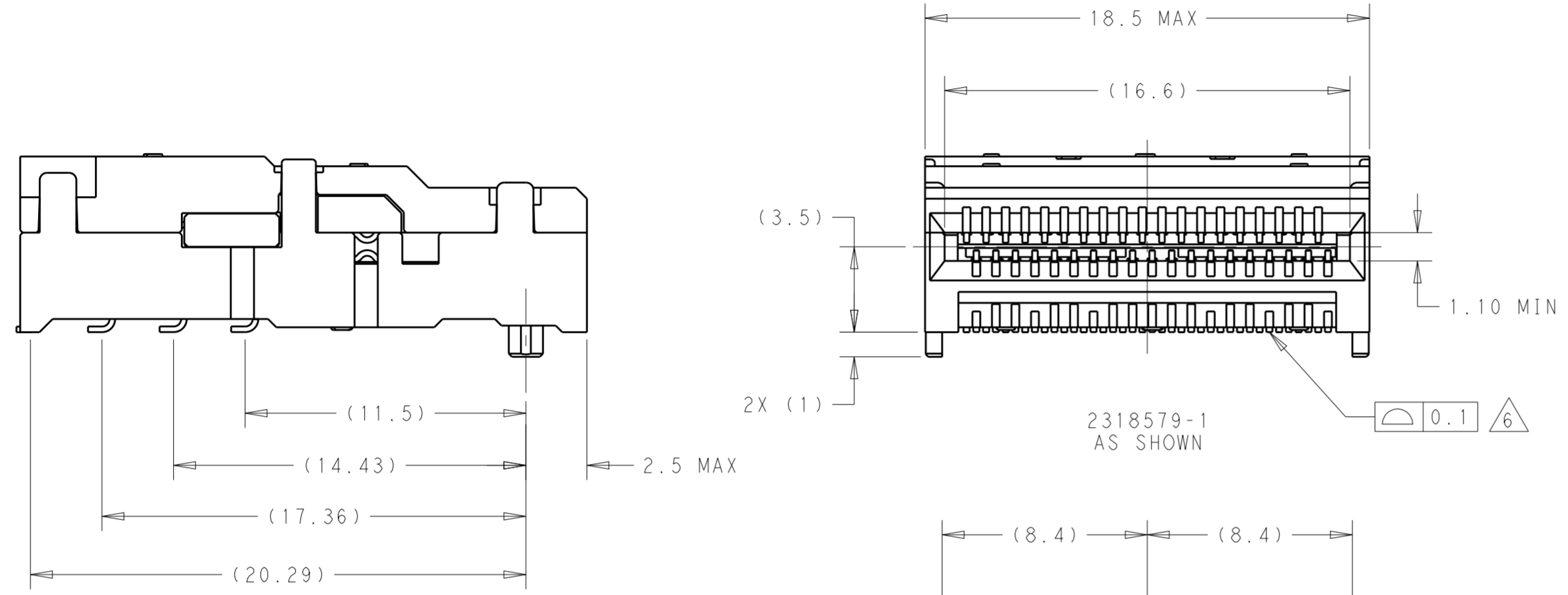


THIS DRAWING IS UNPUBLISHED. RELEASED FOR PUBLICATION 20  
 © COPYRIGHT 20 BY - ALL RIGHTS RESERVED.

REVISIONS				
P	LTR	DESCRIPTION	DATE	APVD
A		RELEASED PER ECO-19-011564	29JUL2019	CJV MJP



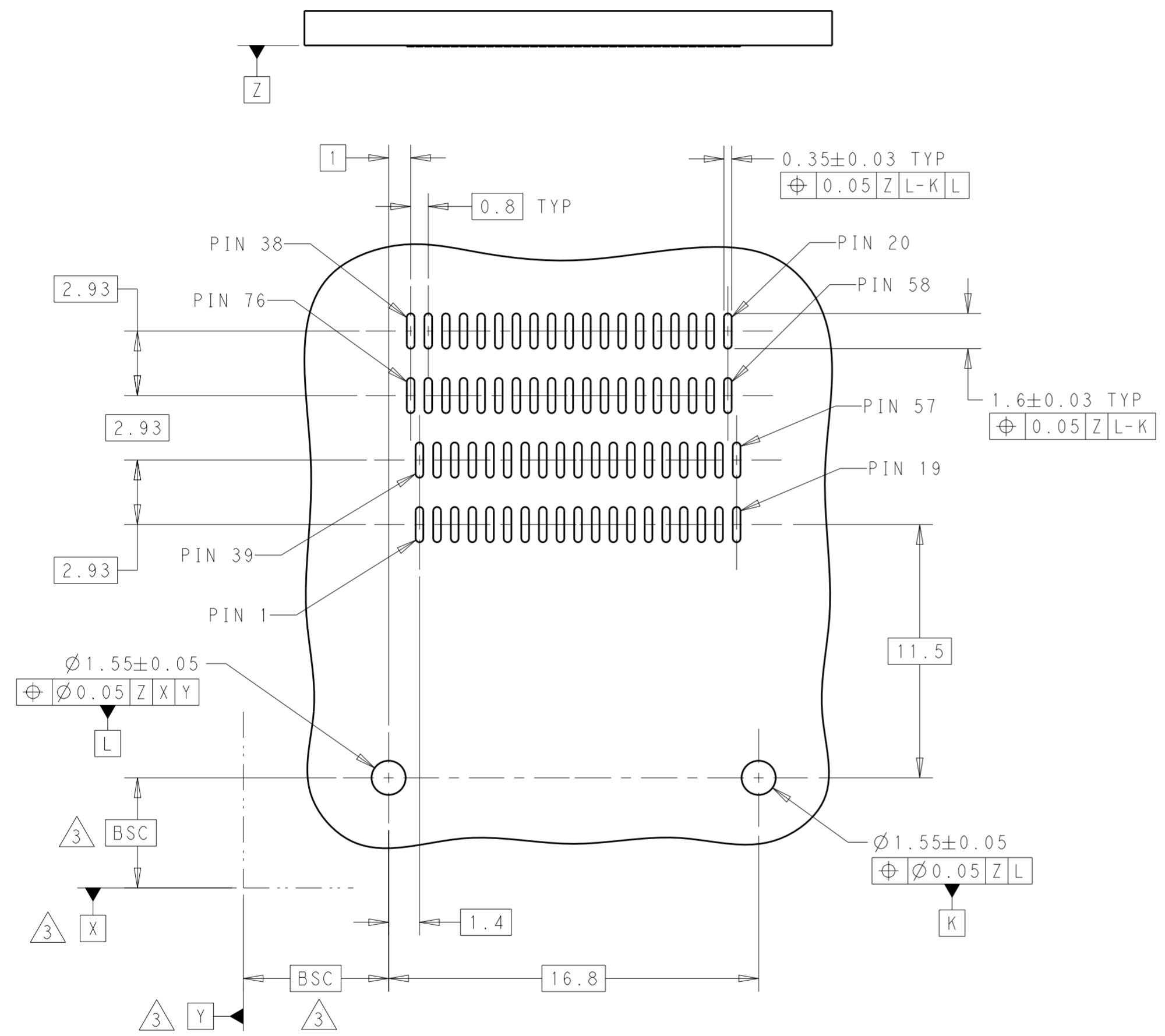
- 1 HOUSINGS AND CONTACT OVERMOLDS: LCP, BLACK.  
CONTACTS: COPPER ALLOY.  
SOLDER WASHERS: NICKEL SILVER.
- 2 CONTACTS - 0.76µm GOLD ON MATING INTERFACE.  
TIN PLATED ON PCB TAILS.
- 3. MINIMUM PC BOARD THICKNESS:  
SINGLE SIDED: 1.57 MIN  
DOUBLE SIDED: 2.20 MIN
- 4 DATUM AND BASIC DIMENSION ESTABLISHED BY CUSTOMER.
- 5 PART NUMBER AND DATE CODE MARKED IN APPROXIMATE AREA SHOWN.
- 6 APPLIES TO 76 CONTACT SOLDER TAILS FOR 2318579-1.  
APPLIES TO 76 CONTACT SOLDER TAILS AND 2 SOLDER HOLD  
DOWNS FOR 2318579-2.

PACKAGING	DESCRIPTION	PART NUMBER
TAPE AND REEL	WITH SOLDER WASHERS	2318579-2
TAPE AND REEL	AS SHOWN	2318579-1

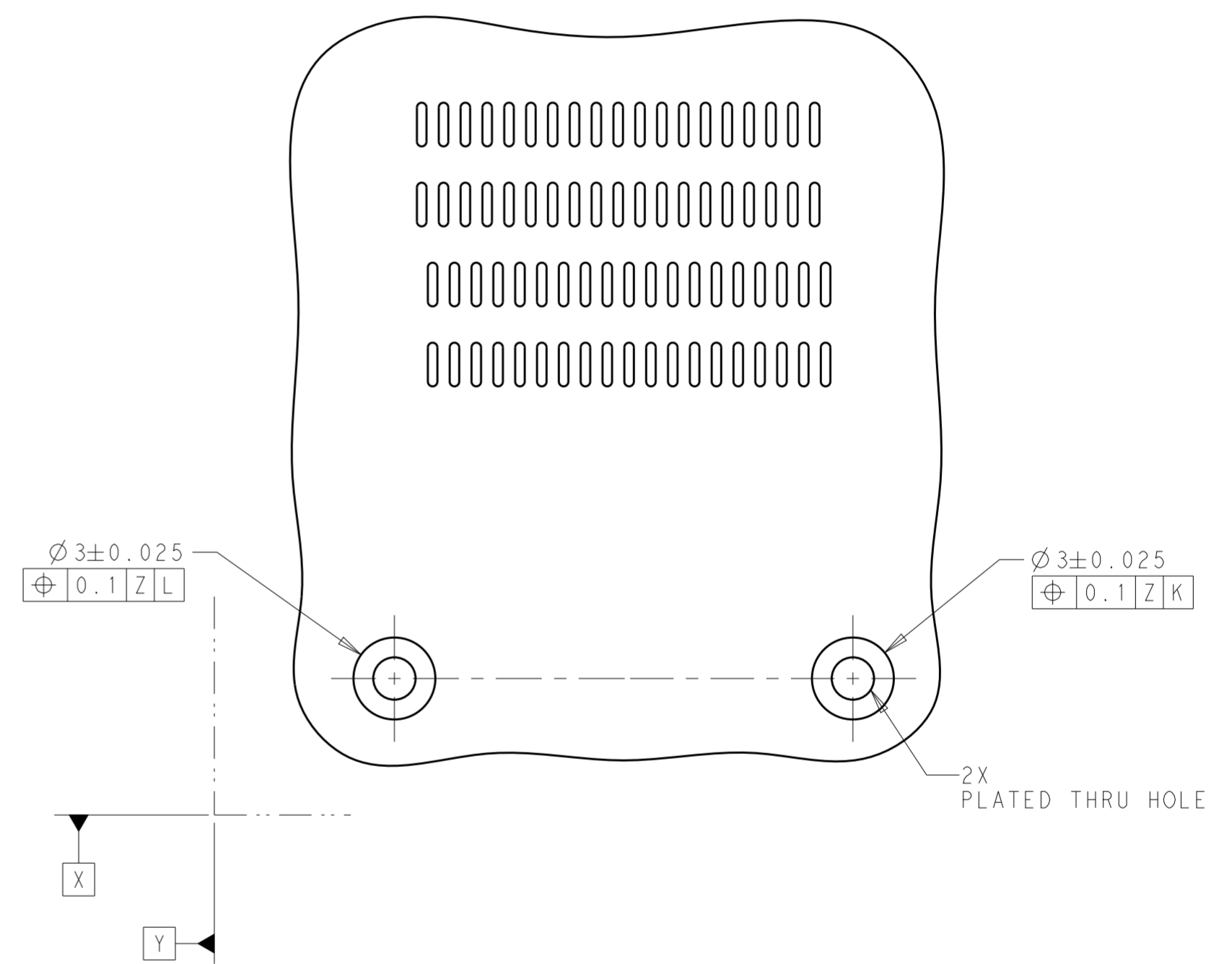
THIS DRAWING IS A CONTROLLED DOCUMENT.		DWN M. SHIRK 17APR2017	<b>STE</b> TE Connectivity	
		CHK J. WESTMAN 17APR2017		
DIMENSIONS: mm		APVD -	NAME RECEPTACLE CONNECTOR, 76 POSITION, QSFP DD	
TOLERANCES UNLESS OTHERWISE SPECIFIED:		PRODUCT SPEC 108-130016	SIZE A2	
0 PLC ±0.1		APPLICATION SPEC 114-130007	CAGE CODE -	DRAWING NO. C-2318579
1 PLC ±0.1		WEIGHT -	RESTRICTED TO -	
2 PLC ±0.1		CUSTOMER DRAWING SCALE 5:1 SHEET 1 OF 3 REV A		
3 PLC ±				
4 PLC ±				
ANGLES ±				
FINISH ±				

THIS DRAWING IS UNPUBLISHED. RELEASED FOR PUBLICATION 20  
 © COPYRIGHT 20 BY - ALL RIGHTS RESERVED.

REVISIONS				
P	LTR	DESCRIPTION	DATE	APVD
-	-	SEE SHEET 1	-	-



2318579-1  
RECOMMENDED PCB LAYOUT

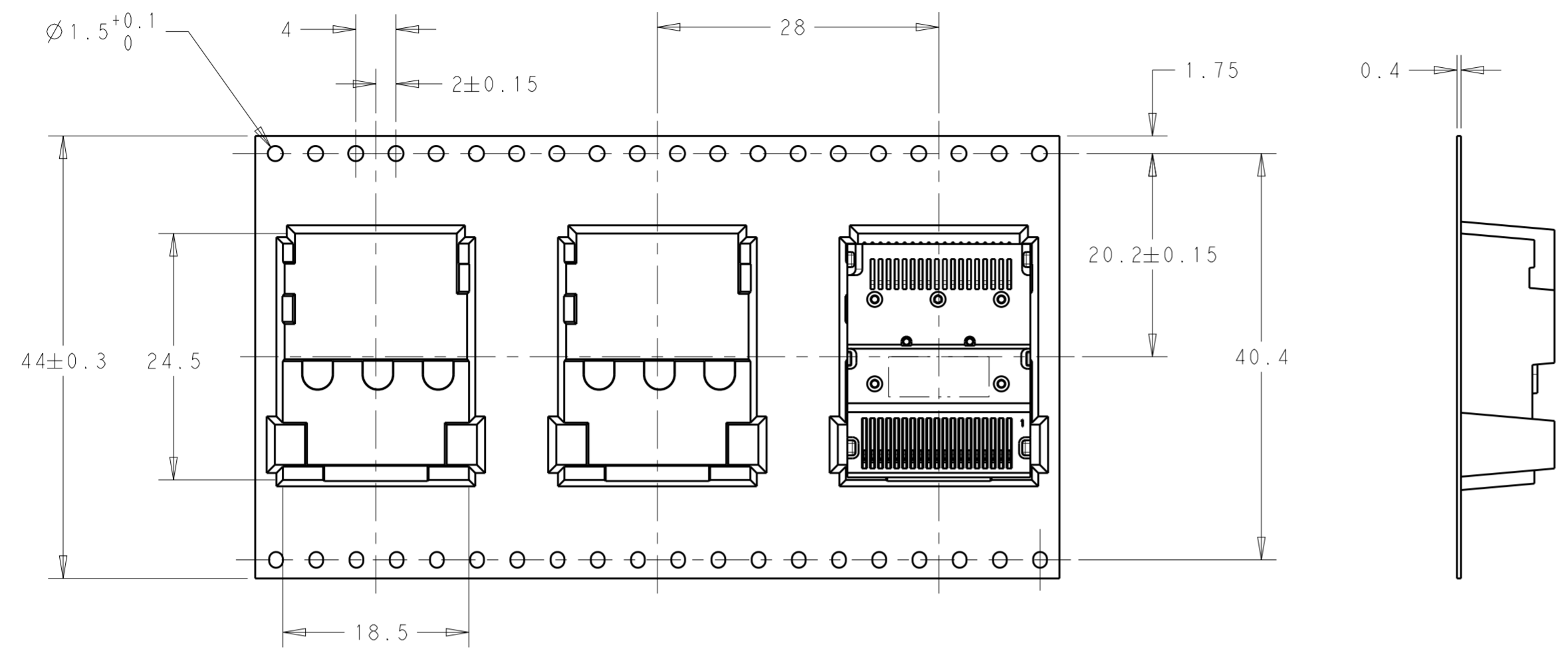


2318579-2  
RECOMMENDED PCB LAYOUT  
SAME AS 2318579-1 EXCEPT AS NOTED

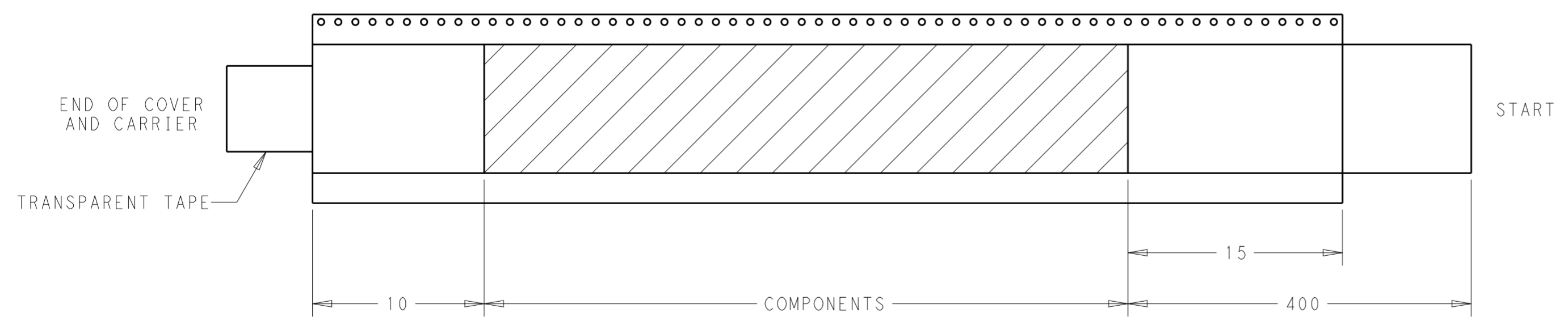
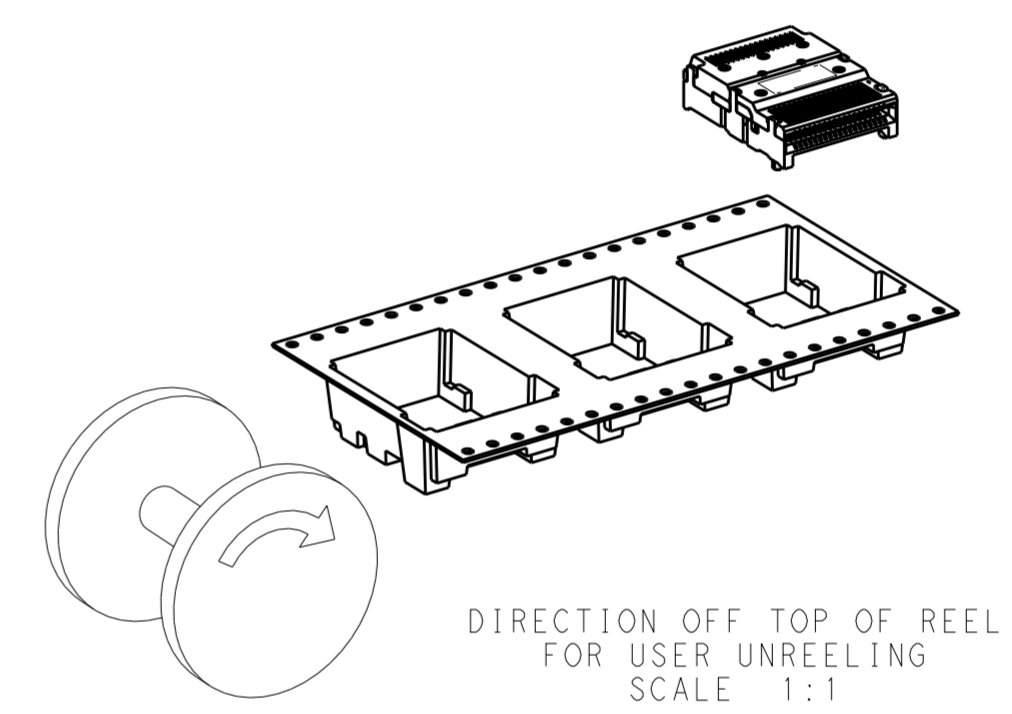
THIS DRAWING IS A CONTROLLED DOCUMENT.		DWN M. SHIRK 17APR2017	TE Connectivity	
		CHK J. WESTMAN 17APR2017		
DIMENSIONS: mm		APVD -	NAME RECEPTACLE CONNECTOR, 76 POSITION, QSFP DD	
		PRODUCT SPEC 108-130016	SIZE A2	
TOLERANCES UNLESS OTHERWISE SPECIFIED: 0 PLC ±0.1 1 PLC ±0.1 2 PLC ±0.1 3 PLC ± 4 PLC ± ANGLES ± FINISH -		APPLICATION SPEC 114-130007	CAGE CODE -	DRAWING NO C-2318579
MATERIAL -		WEIGHT -	RESTRICTED TO -	SCALE 5:1
		CUSTOMER DRAWING	SHEET 2 OF 3	REV A

THIS DRAWING IS UNPUBLISHED. RELEASED FOR PUBLICATION 20  
 © COPYRIGHT 20 BY - ALL RIGHTS RESERVED.

REVISIONS				
P	LTR	DESCRIPTION	DATE	APVD
-	-	SEE SHEET 1	-	-



SCALE 2:1



THIS DRAWING IS A CONTROLLED DOCUMENT.		DWN M. SHIRK 17APR2017	TE Connectivity	
		CHK J. WESTMAN 17APR2017		
DIMENSIONS:		APVD -	NAME RECEPTACLE CONNECTOR, 76 POSITION, QSFP DD	
mm	TOLERANCES UNLESS OTHERWISE SPECIFIED:	PRODUCT SPEC 108-130016	SIZE A2	
	0 PLC $\pm 0.1$	APPLICATION SPEC 114-130007	CAGE CODE -	DRAWING NO. C-2318579
	1 PLC $\pm 0.1$	WEIGHT -	RESTRICTED TO -	
	2 PLC $\pm 0.1$	CUSTOMER DRAWING	SCALE 5:1	SHEET 3 OF 3
	3 PLC $\pm$		REV A	
	4 PLC $\pm$			
	ANGLES $\pm$			
	FINISH			

## X-ON Electronics

Largest Supplier of Electrical and Electronic Components

*Click to view similar products for [I/O Connectors](#) category:*

*Click to view products by [TE Connectivity](#) manufacturer:*

Other Similar products are found below :

[571763P](#) [58098-0628](#) [72.250.1628.2](#) [72.250.2428.2](#) [74720-0505](#) [76.350.0729.0](#) [76871-1403](#) [FCN-244F080-G/1](#) [FCN-260A9920](#) [PCR-E36PM](#) [PCS-XE26MA+](#) [G38A71314B](#) [DX40-50P\(55\)](#) [1571250010](#) [157-22500-3](#) [MS3471L14-19P L/C](#) [91-569786-35H](#) [172501-4002](#) [172501-6002](#) [FCN-260C008-A/L0](#) [FCN-260C024-AL0](#) [FCN-261Z008](#) [2000314-1](#) [200331-1](#) [PCR-E36FC+](#) [PCS-E28FS+](#) [PCS-XE26SLFD+](#) [PCS-XE26SLFDT+](#) [G730VID08BDC24](#) [U90B2054081210](#) [UE86K842720321](#) [38113800006](#) [DP3AR020WQ1R200](#) [Z4.102.0680.0](#) [500-1040](#) [500-1052](#) [500-1054](#) [ZP-4008-66L](#) [0709821002](#) [10-565995-597N](#) [DX40-20P\(55\)](#) [5554841-1](#) [MS3474W18-8P-LC\\*](#) [U90B3054061110](#) [U65-E04-4020](#) [ZPF000000000097891](#) [557-262M2-06C](#) [747360449](#) [10099439-003C-TRLF](#) [10137239-0021LF](#)