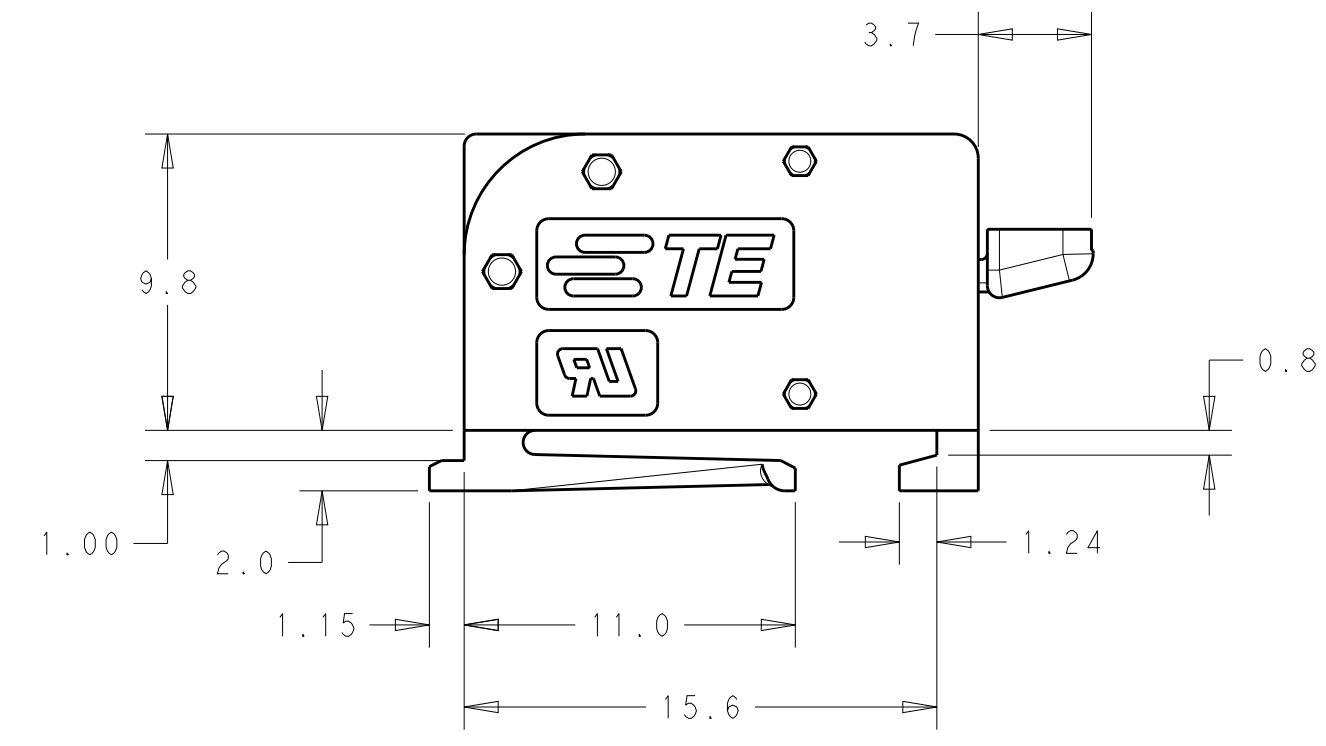
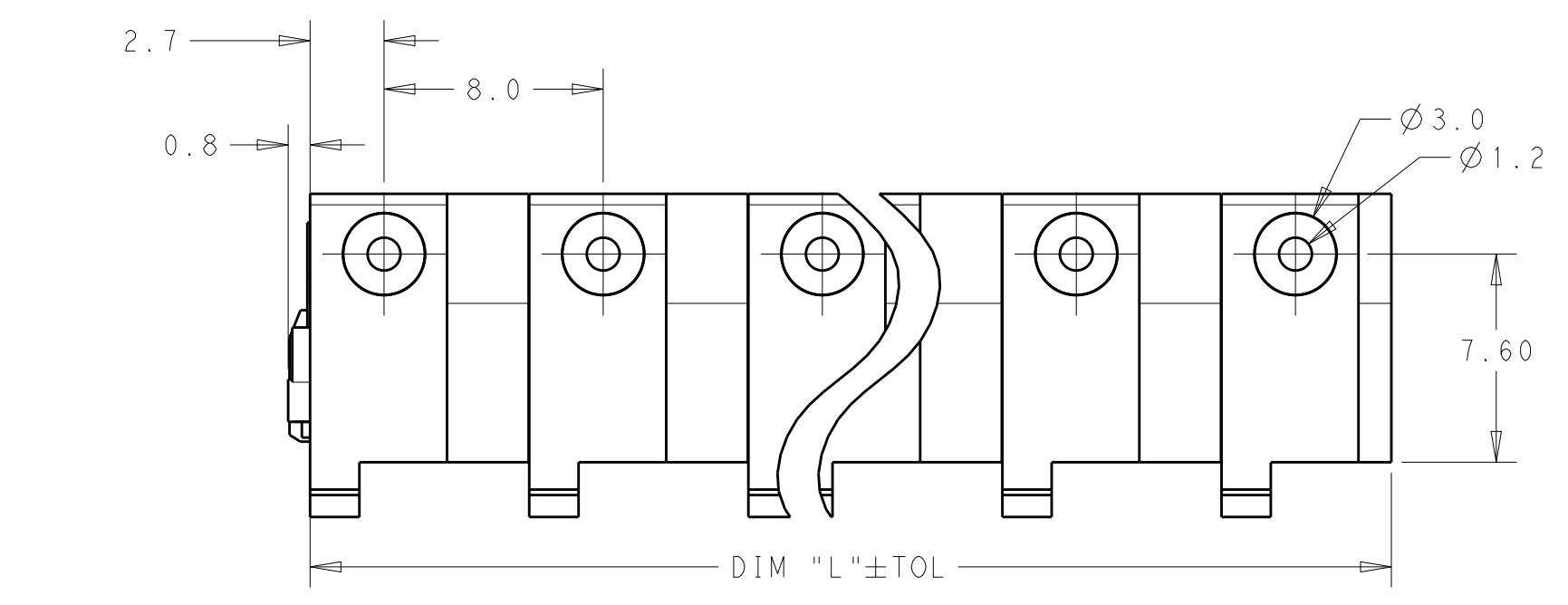
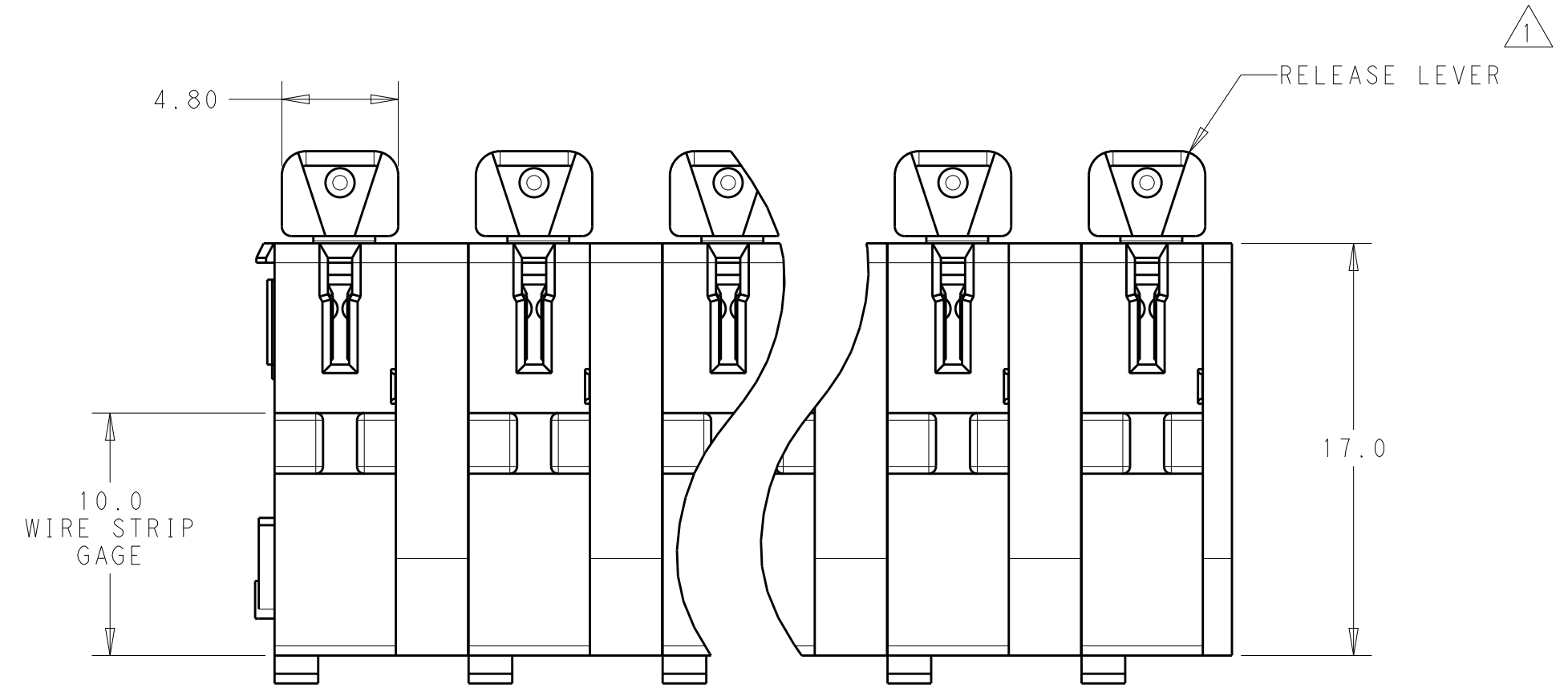


THIS DRAWING IS UNPUBLISHED. RELEASED FOR PUBLICATION
 © COPYRIGHT copyright.d8te- ALL RIGHTS RESERVED.

| REVISIONS | | | | |
|-----------|-----|--|-----------|--------|
| P | LTR | DESCRIPTION | DATE | APVD |
| 4 | | PART UPDATE | 07FEB2018 | JS ML |
| 5 | | ADD 2318582-2 TO PARTS LIST,CHANGE TITLE | 19MAR2018 | JS ML |
| A | | ECR-18-011503 | 24JUL2018 | GCM DD |
| A1 | | ECR-18-013416 | 17SEP2018 | SR DD |



1 MATERIALS AND FINISH:
 CONNECTOR HOUSING: GF PBT,COLOR: NATURAL
 END CAP: GF PBT,COLOR: NATURAL
 RELEASE LEVER: GF PBT,COLOR: GREY
 CONTACTS: COPPER ALLOY,FINISH; Sn OVER Ni

2 CLEARANCE BETWEEN MOUNTING PLATE AND RELEASE LEVER AT MAXIMUM TRAVEL AS SHOWN.

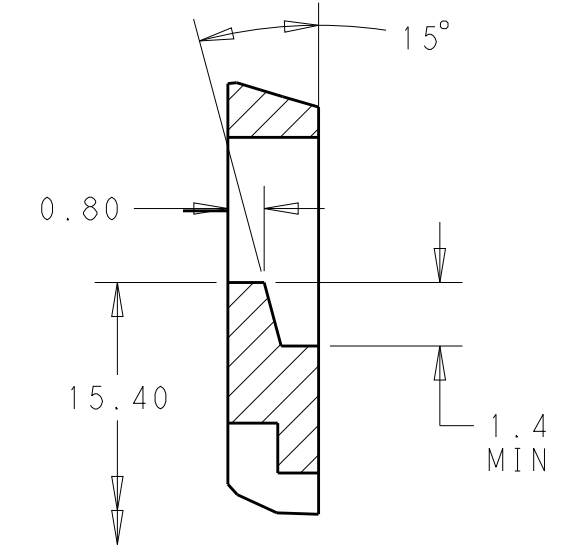
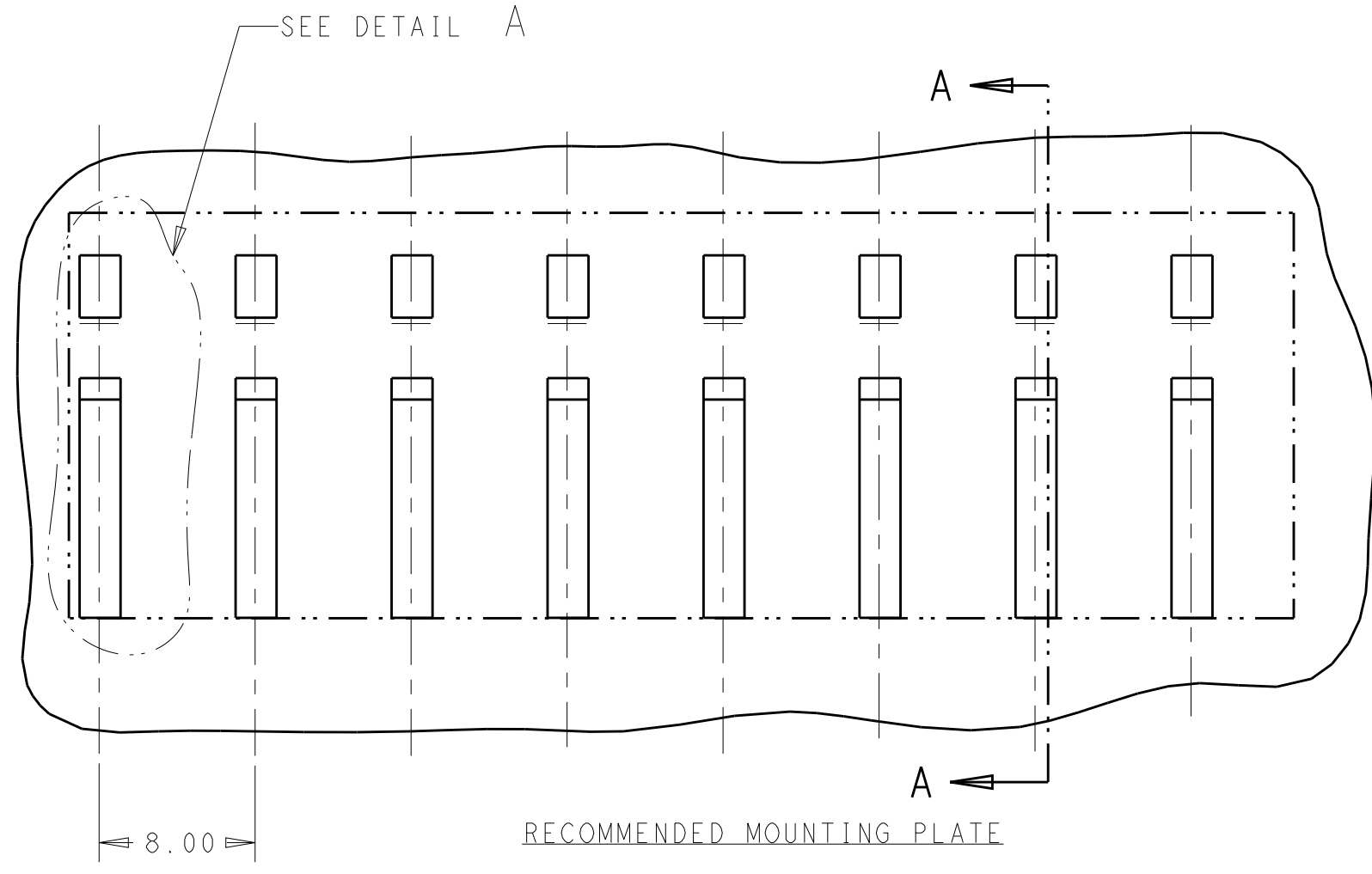
- 3. MATERIALS COMPLY WITH DIRECTIVE 2002/95/EC (ROHS).
- 4. THIS PRODUCT HAS NOT COMPLETED VALIDATION TESTING.
- 5. PACKAGED IN TRAYS.

| | | |
|---------|---|-------------------------|
| 62.2 | 8 | 2318582-8 |
| 54.2 | 7 | 2318582-7 |
| 46.2 | 6 | 2318582-6 |
| 38.2 | 5 | 2318582-5 |
| 30.2 | 4 | 2318582-4 |
| 22.2 | 3 | 2318582-3 |
| 14.2 | 2 | 2318582-2 |
| DIM "L" | | CIRCUITS TE PART NUMBER |

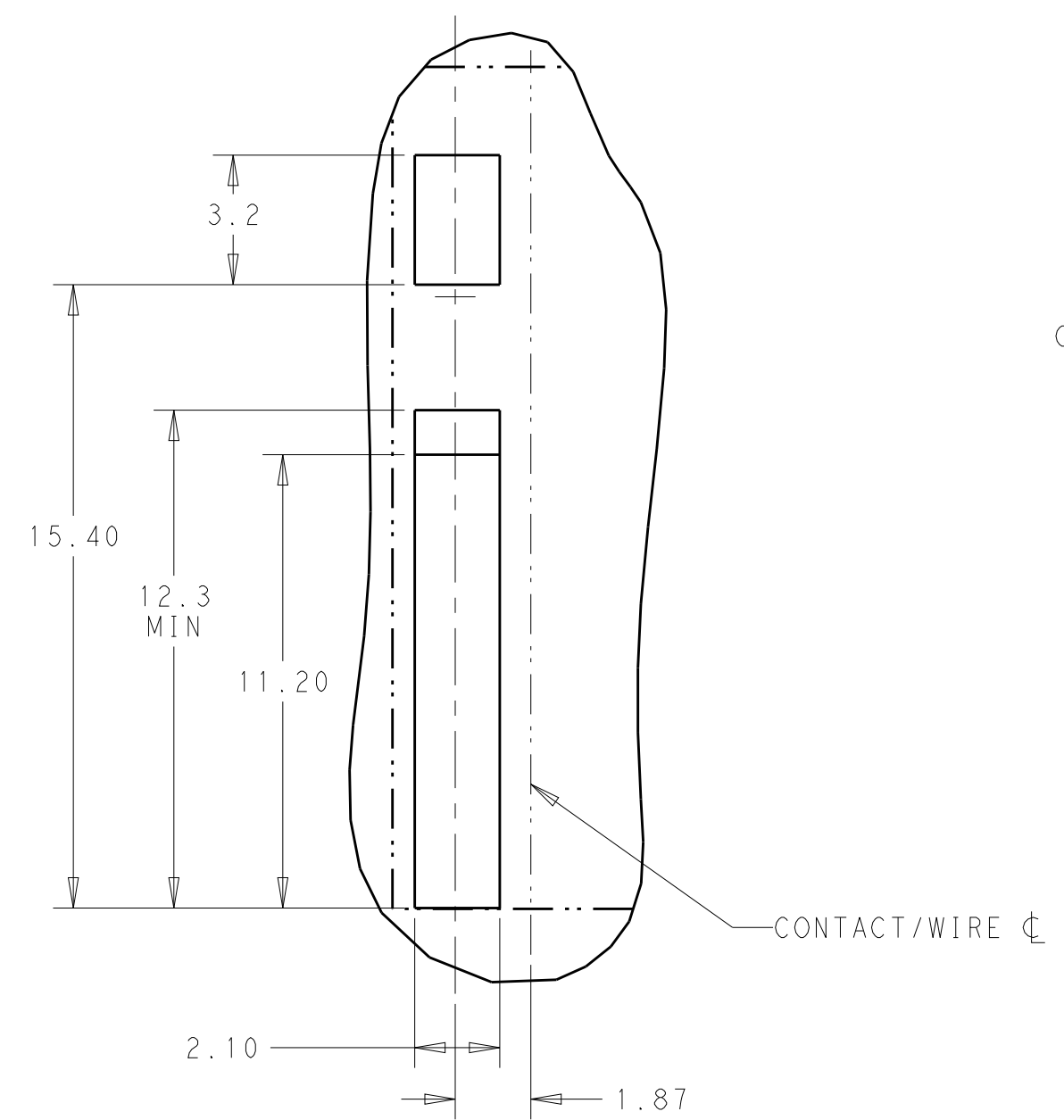
| | | | | |
|--|--|-------------------------------------|--|--------------------|
| THIS DRAWING IS A CONTROLLED DOCUMENT. | | DWN J. SHAFFER 19 JUL 2017 | TE Connectivity | |
| DIMENSIONS: mm | | CHK MAREK LUKSIC 19 JUL 2017 | | |
| TOLERANCES UNLESS OTHERWISE SPECIFIED: | | APVD MAREK LUKSIC 19 JUL 2017 | NAME BUCHANAN WireMate POKE-IN CONNECTOR, 8mm PITCH | |
| 0 PLC ±- 1 PLC ±0.20 2 PLC ±0.10 3 PLC ±- 4 PLC ±- ANGLES ±2° FINISH - | | PRODUCT SPEC - | SIZE A2 | CAGE CODE 00779 |
| MATERIAL - | | APPLICATION SPEC - | DRAWING NO C-2318582 | RESTRICTED TO - |
| - | | WEIGHT - | SCALE 2:1 | SHEET 1 OF 2 |
| - | | CUSTOMER DRAWING | REV A1 | |

THIS DRAWING IS UNPUBLISHED. RELEASED FOR PUBLICATION
 © COPYRIGHT copyright.d8te- ALL RIGHTS RESERVED.

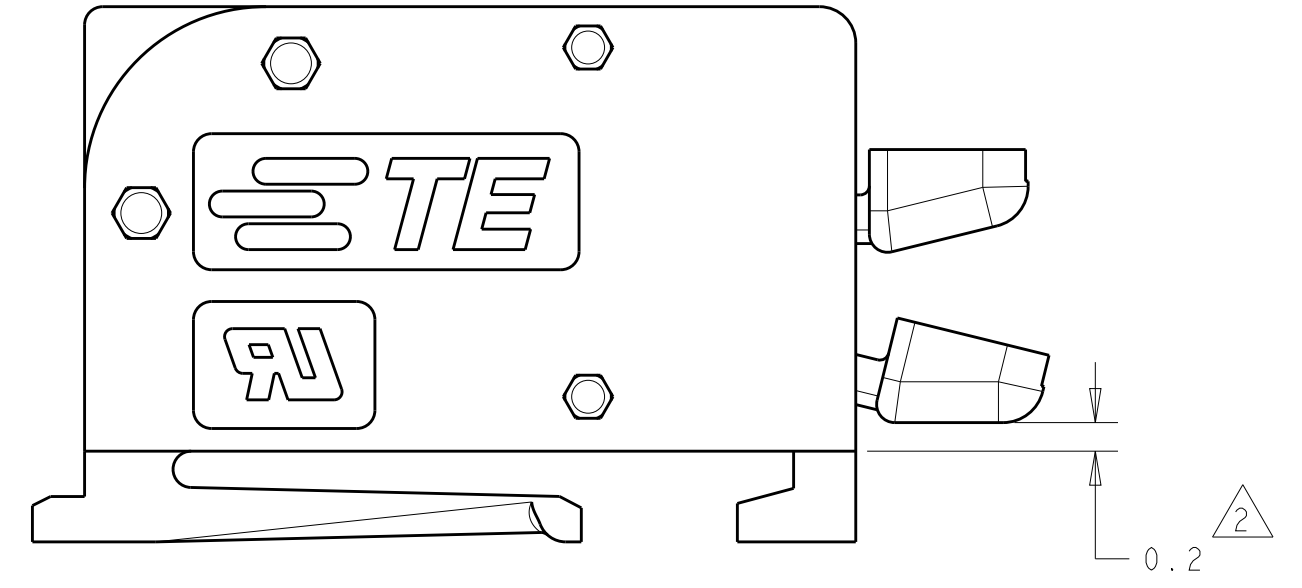
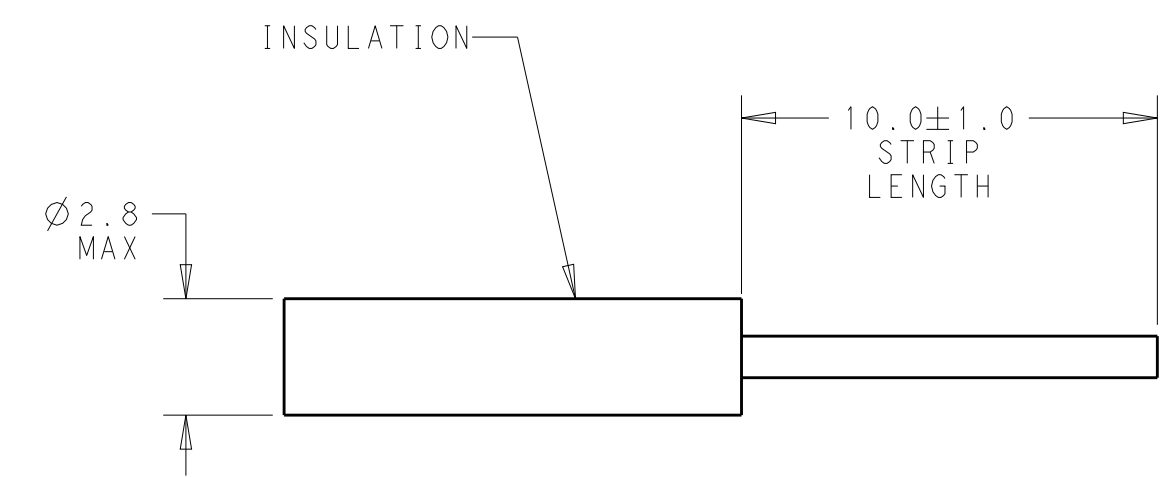
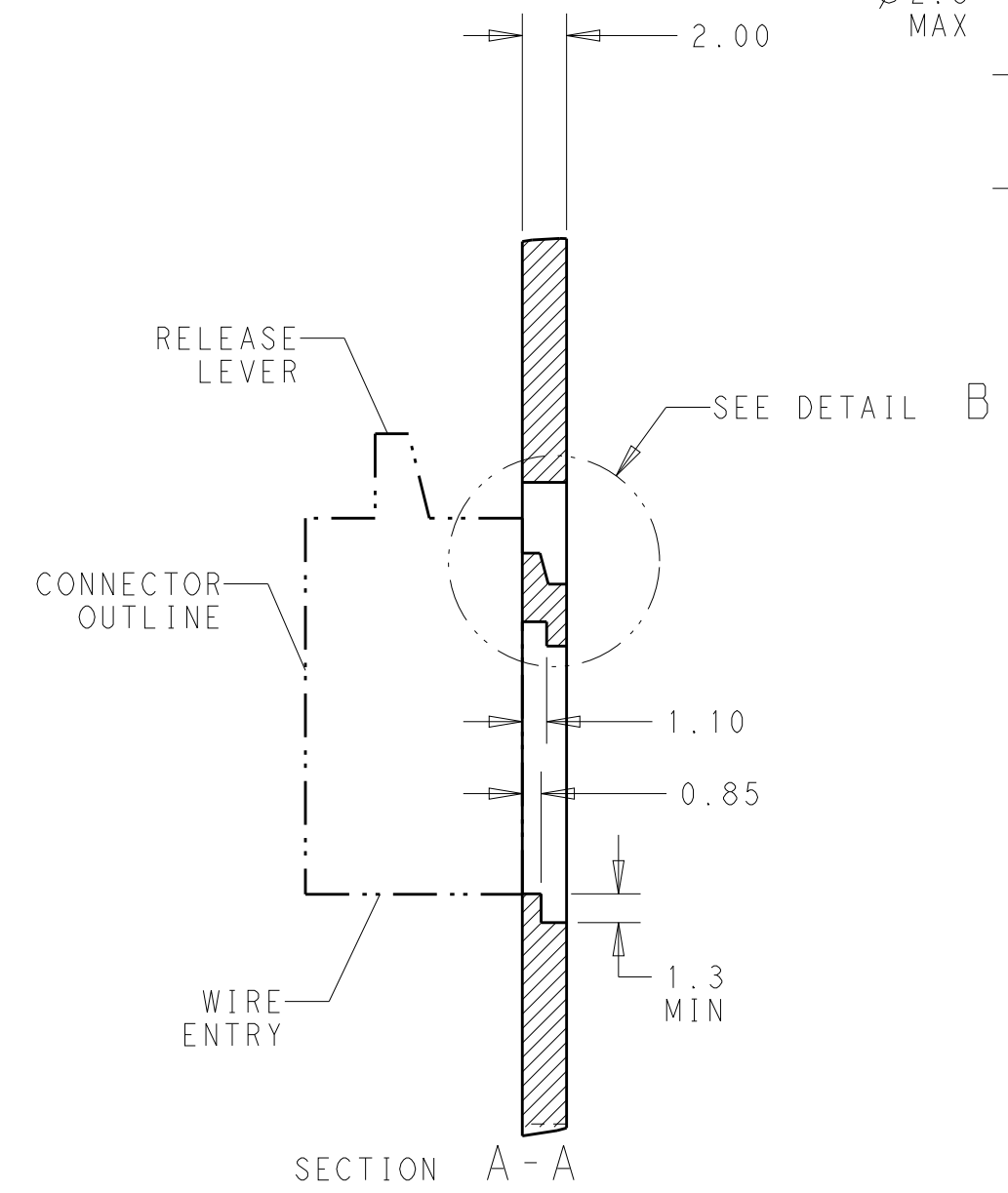
| REVISIONS | | | | |
|-----------|-----|-------------|------|------|
| P | LTR | DESCRIPTION | DATE | APVD |
| - | - | SEE SHEET 1 | - | - |
| | | | | |
| | | | | |



DETAIL B
SCALE 6:1



DETAIL A
SCALE 6:1



| | | | | |
|--|--|-------------------------------------|--|--|
| THIS DRAWING IS A CONTROLLED DOCUMENT. | | DWN J. SHAFFER 19 JUL 2017 | TE Connectivity | |
| DIMENSIONS: mm | | CHK MAREK LUKSIC 19 JUL 2017 | | |
| TOLERANCES UNLESS OTHERWISE SPECIFIED: | | APVD MAREK LUKSIC 19 JUL 2017 | NAME BUCHANAN WireMate POKE-IN CONNECTOR, 8mm PITCH | |
| 0 PLC ±- | | PRODUCT SPEC | SIZE | |
| 1 PLC ±0.20 | | APPLICATION SPEC | CAGE CODE | |
| 2 PLC ±0.10 | | WEIGHT | DRAWING NO | |
| 3 PLC ±- | | CUSTOMER DRAWING | A200779C-2318582 | |
| 4 PLC ±- | | SCALE 2:1 | SHEET 2 OF 2 | |
| ANGLES ±2° | | RESTRICTED TO | | |
| FINISH | | REV A1 | | |

X-ON Electronics

Largest Supplier of Electrical and Electronic Components

Click to view similar products for [Fixed Terminal Blocks](#) category:

Click to view products by [TE Connectivity](#) manufacturer:

Other Similar products are found below :

[MBE-1512](#) [MBE-154](#) [MBE-156](#) [MBES-153](#) [MBES-156](#) [MH-2512](#) [MHE-132](#) [MHE-163](#) [MI-254 \(35\)](#) [MI-272](#) [880507](#) [MPT-275](#)
[15602-04-08-21](#) [ELM023100](#) [BA311TU](#) [BA411SU](#) [MV-152](#) [MV-252-D](#) [MV-253/NCNOC](#) [MV-254-D](#) [MV-255](#) [MV-462](#) [MV-493](#) [MVE-](#)
[252](#) [MVE-253](#) [MVE-273](#) [MVEB-153](#) [1700096](#) [1705142](#) [1712417](#) [1713020](#) [1713088](#) [1745195](#) [1760594](#) [1776118-2](#) [1790852](#) [1-796689-8](#)
[1-796692-6](#) [1800001](#) [1800114](#) [1995279](#) [20020314-C121B01LF](#) [CB2-12](#) [KP03215000J0G](#) [KP04215000J0G](#) [S451](#) [282802-2](#) [29.007](#) [29.116](#)
[30.103](#)