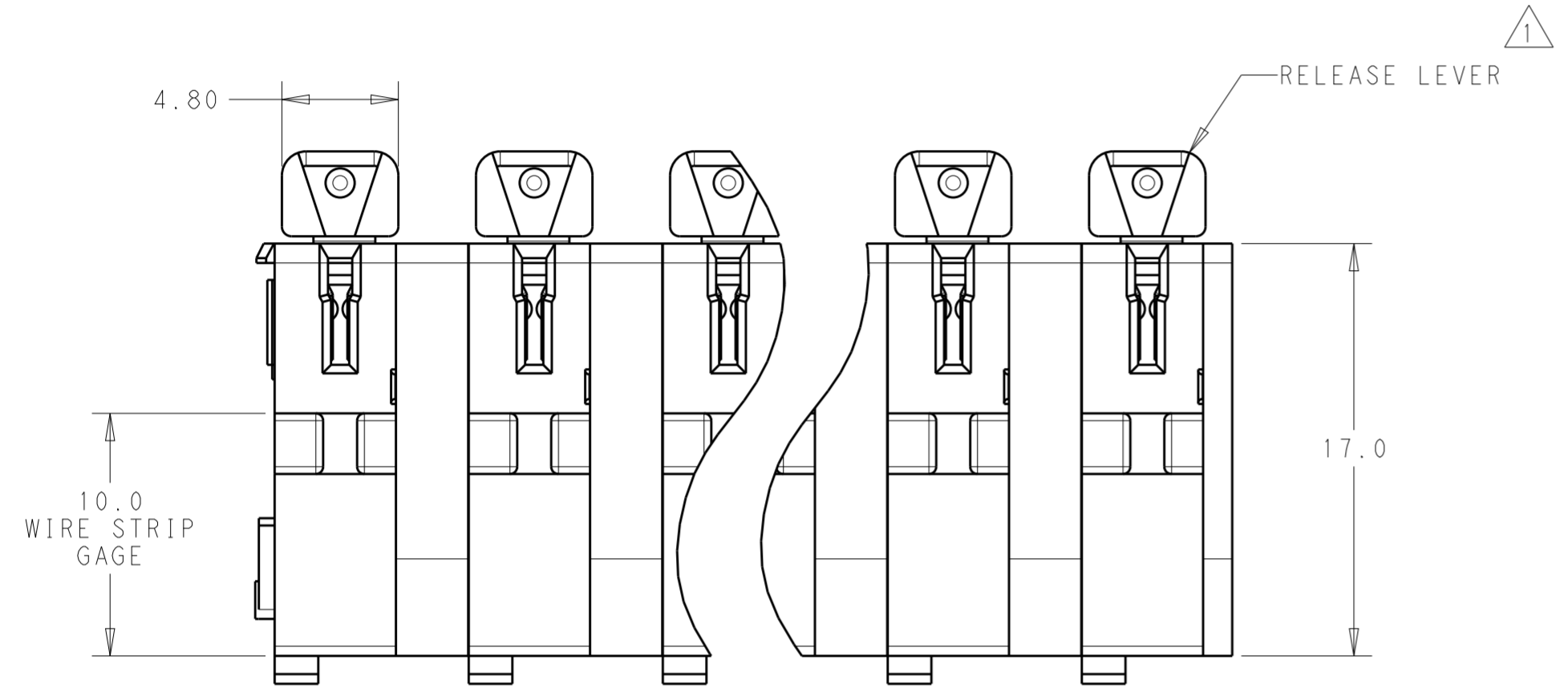


THIS DRAWING IS UNPUBLISHED. RELEASED FOR PUBLICATION  
 © COPYRIGHT copyright.d8te- ALL RIGHTS RESERVED.

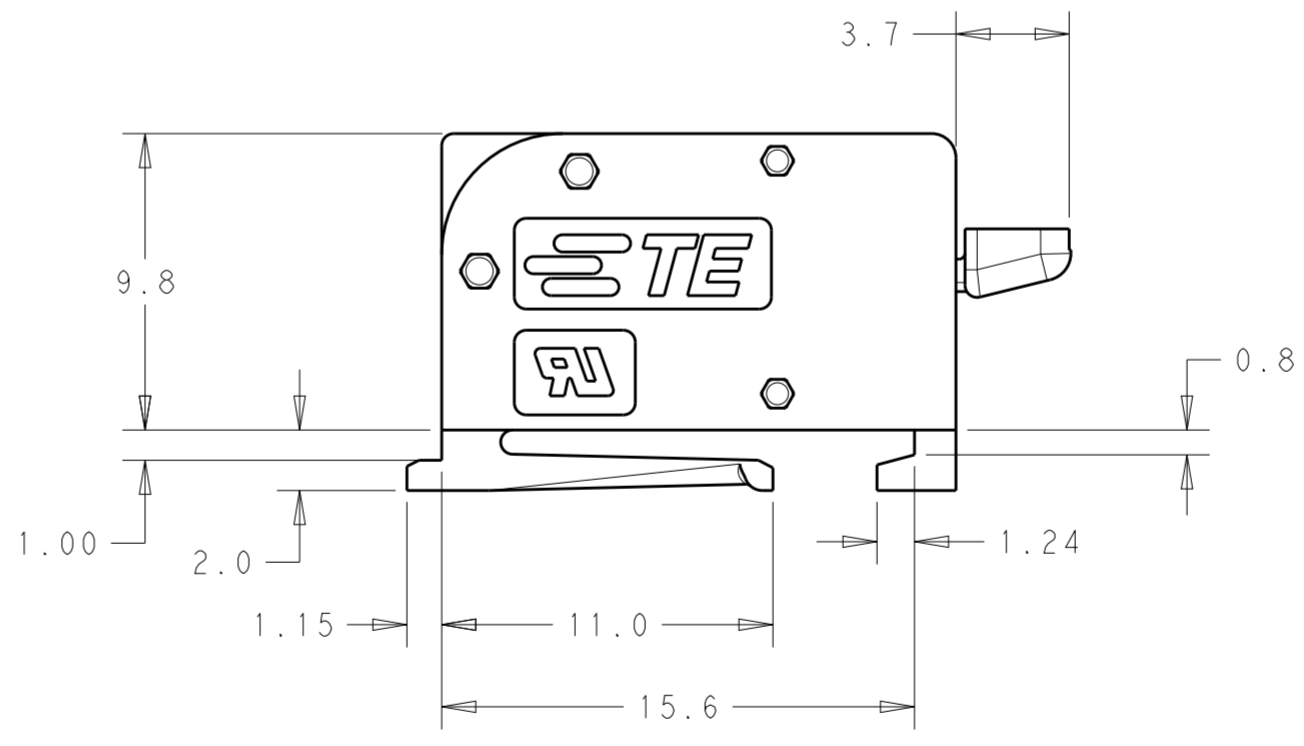
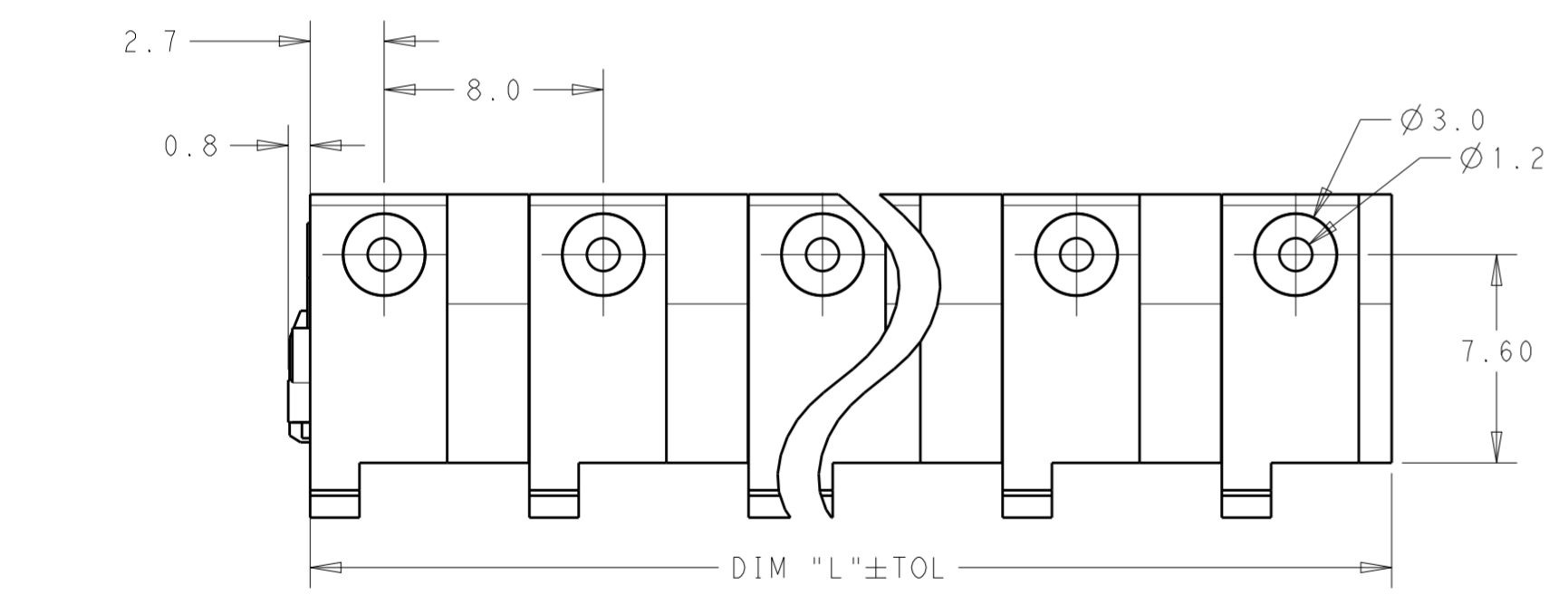
REVISIONS				
P	LTR	DESCRIPTION	DATE	APVD
4		PART UPDATE	07FEB2018	JS ML
5		ADD 2318582-2 TO PARTS LIST, CHANGE TITLE	19MAR2018	JS ML
A		ECR-18-011503	24JUL2018	GCM DD
A1		ECR-18-013416	17SEP2018	SR DD



1 MATERIALS AND FINISH:  
 CONNECTOR HOUSING: GF PBT, COLOR: NATURAL  
 END CAP: GF PBT, COLOR: NATURAL  
 RELEASE LEVER: GF PBT, COLOR: GREY  
 CONTACTS: COPPER ALLOY, FINISH; Sn OVER Ni

2 CLEARANCE BETWEEN MOUNTING PLATE AND RELEASE LEVER AT MAXIMUM TRAVEL AS SHOWN.

- 3. MATERIALS COMPLY WITH DIRECTIVE 2002/95/EC (ROHS).
- 4. THIS PRODUCT HAS NOT COMPLETED VALIDATION TESTING.
- 5. PACKAGED IN TRAYS.

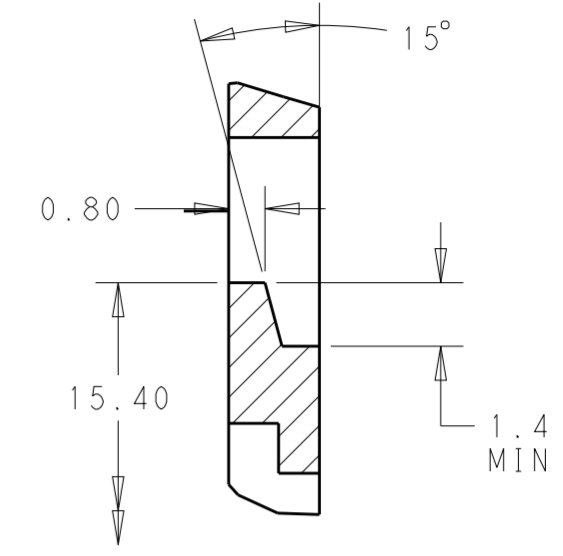
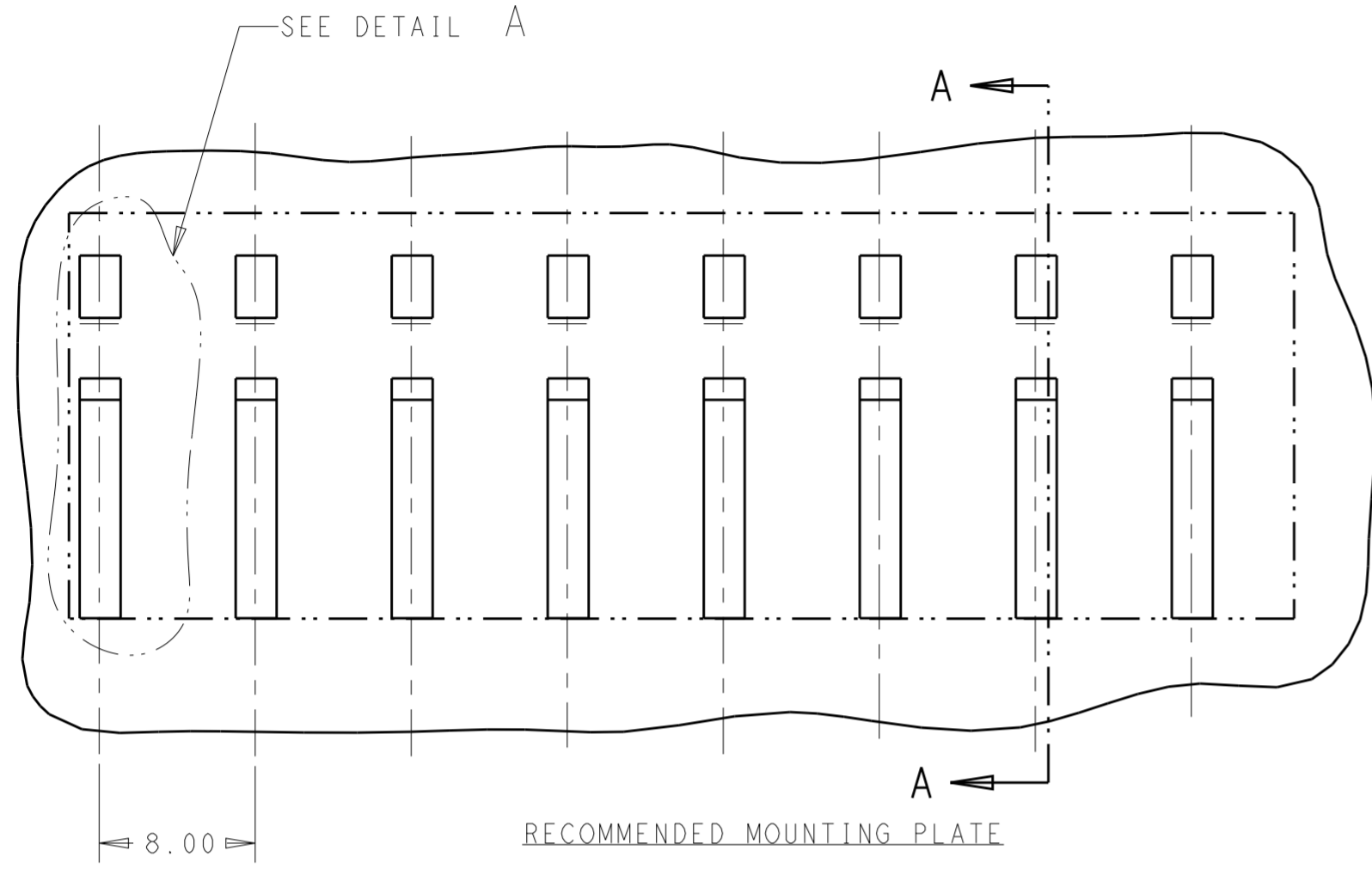


62.2	8	2318582-8
54.2	7	2318582-7
46.2	6	2318582-6
38.2	5	2318582-5
30.2	4	2318582-4
22.2	3	2318582-3
14.2	2	2318582-2
DIM "L"		CIRCUITS TE PART NUMBER

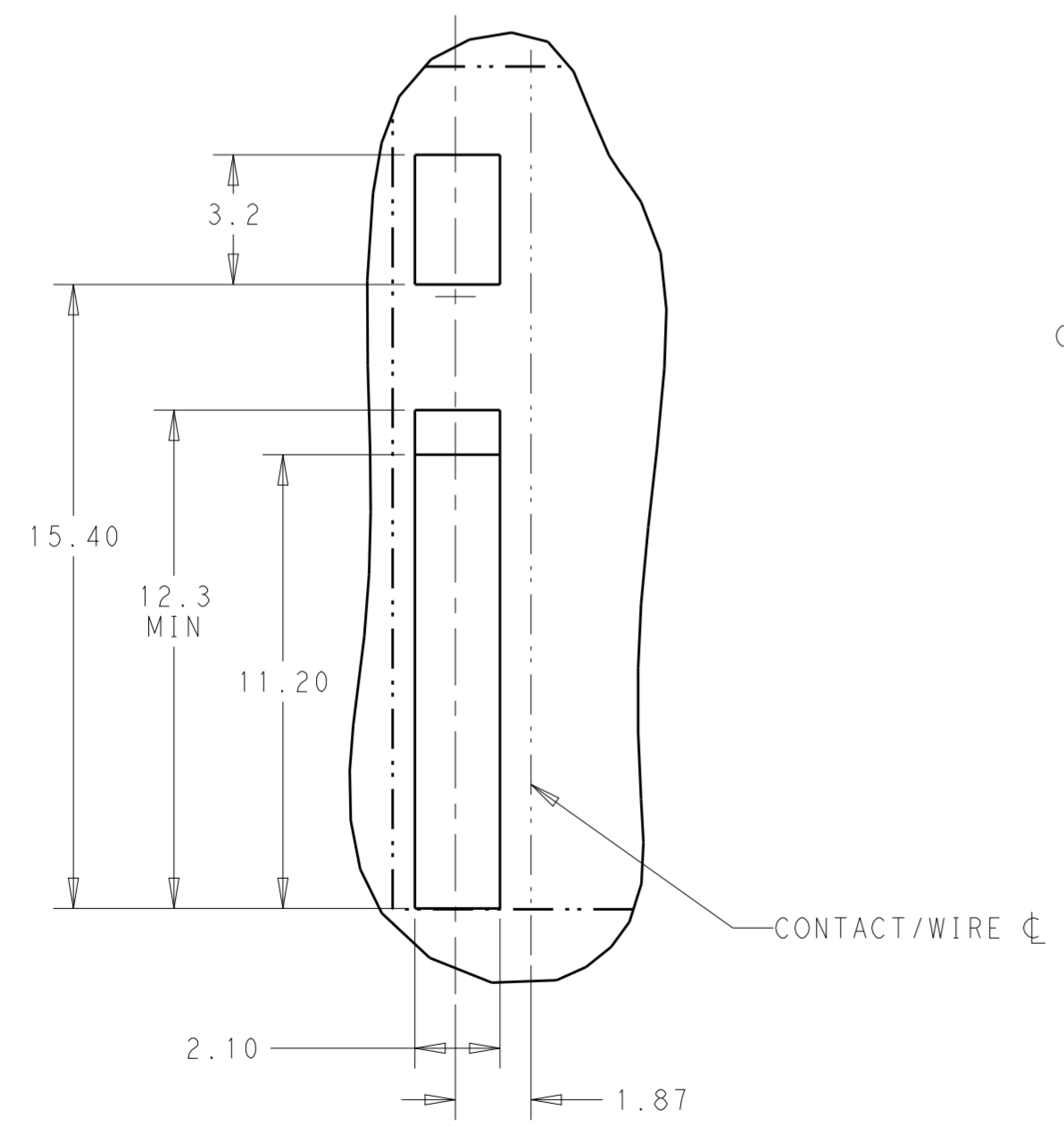
THIS DRAWING IS A CONTROLLED DOCUMENT.		DWN J. SHAFFER 19 JUL 2017	TE Connectivity															
DIMENSIONS: mm		CHK MAREK LUKSIC 19 JUL 2017																
TOLERANCES UNLESS OTHERWISE SPECIFIED:		APVD MAREK LUKSIC 19 JUL 2017	NAME BUCHANAN WireMate POKE-IN CONNECTOR, 8mm PITCH															
<table border="1"> <tr> <td>0 PLC</td> <td>±</td> </tr> <tr> <td>1 PLC</td> <td>±0.20</td> </tr> <tr> <td>2 PLC</td> <td>±0.10</td> </tr> <tr> <td>3 PLC</td> <td>±</td> </tr> <tr> <td>4 PLC</td> <td>±</td> </tr> <tr> <td>ANGLES</td> <td>±2°</td> </tr> <tr> <td>FINISH</td> <td>-</td> </tr> </table>		0 PLC	±	1 PLC	±0.20	2 PLC	±0.10	3 PLC	±	4 PLC	±	ANGLES	±2°	FINISH	-	PRODUCT SPEC -	SIZE A200779	
0 PLC	±																	
1 PLC	±0.20																	
2 PLC	±0.10																	
3 PLC	±																	
4 PLC	±																	
ANGLES	±2°																	
FINISH	-																	
MATERIAL -		APPLICATION SPEC -	CAGE CODE C-2318582															
-		WEIGHT -	DRAWING NO -															
-		CUSTOMER DRAWING	RESTRICTED TO -															
		SCALE 2:1	SHEET 1 OF 2															
			REV A1															

THIS DRAWING IS UNPUBLISHED. RELEASED FOR PUBLICATION  
 © COPYRIGHT copyright.d8te ALL RIGHTS RESERVED.

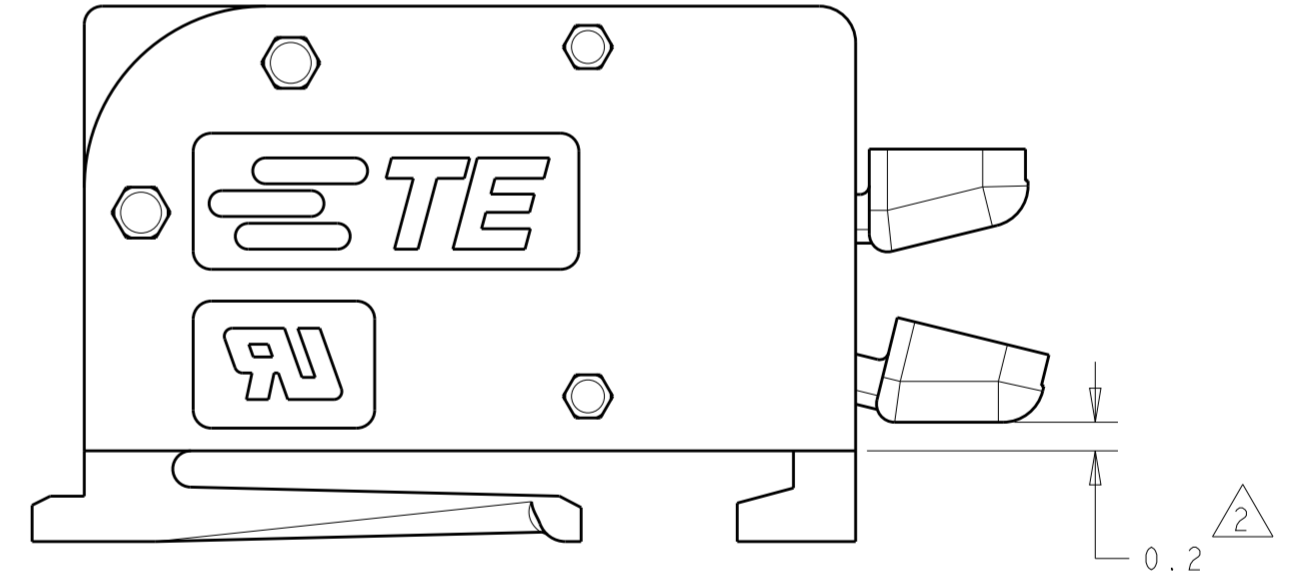
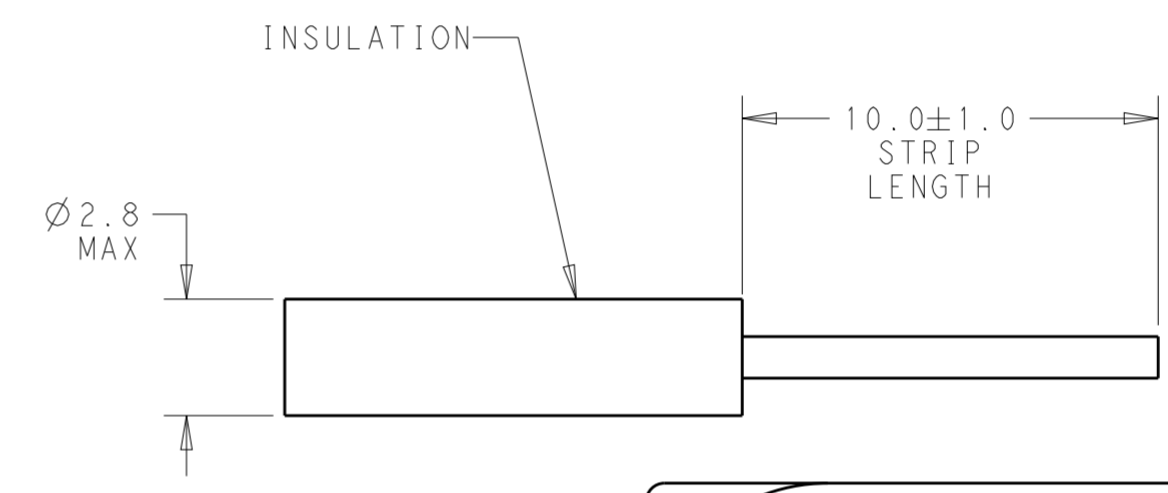
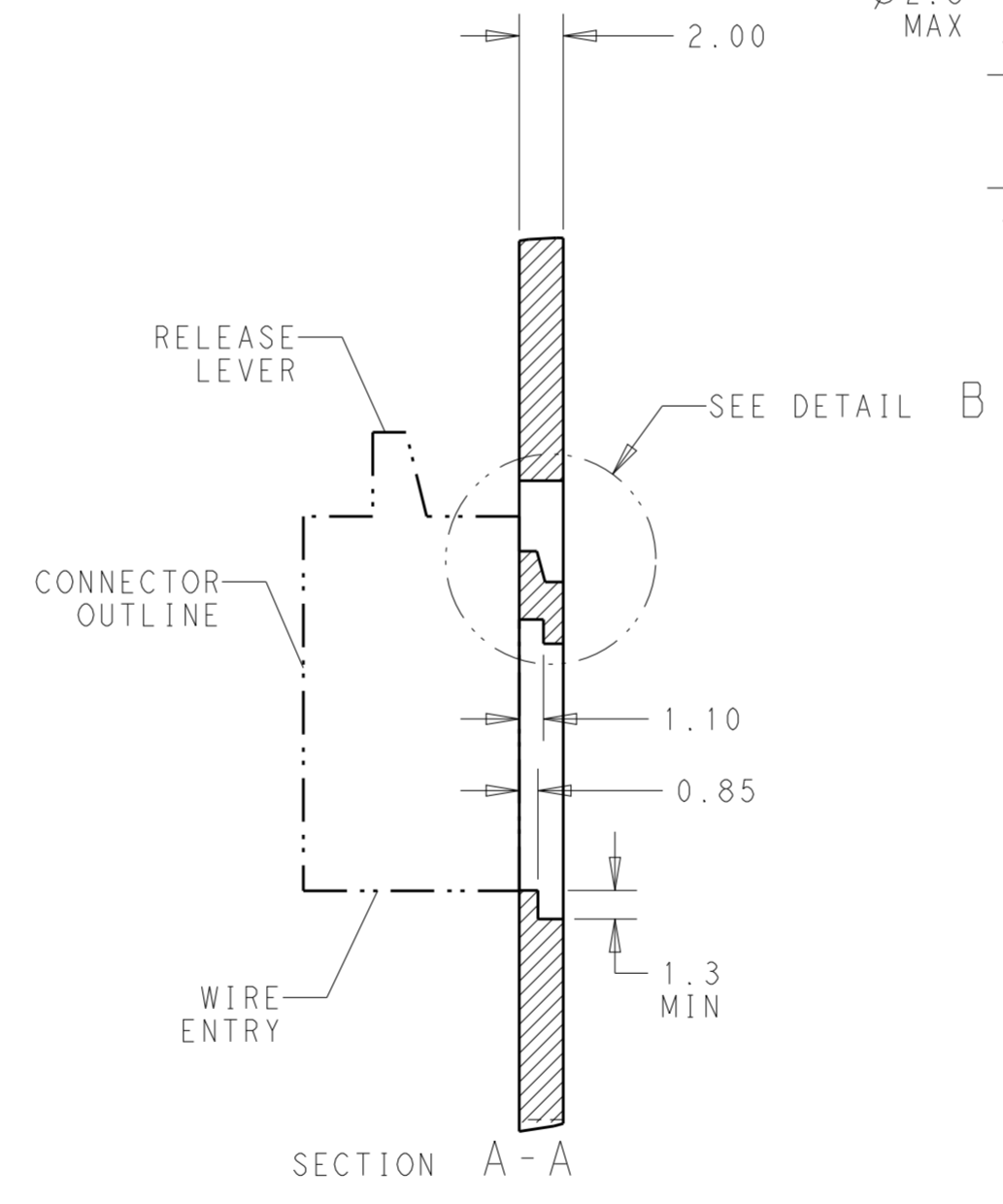
REVISIONS				
P	LTR	DESCRIPTION	DATE	APVD
-	-	SEE SHEET 1	-	-



DETAIL B  
SCALE 6:1



DETAIL A  
SCALE 6:1



THIS DRAWING IS A CONTROLLED DOCUMENT.		DWN J. SHAFFER 19 JUL 2017	TE Connectivity	
DIMENSIONS: mm		CHK MAREK LUKSIC 19 JUL 2017		
TOLERANCES UNLESS OTHERWISE SPECIFIED:		APVD MAREK LUKSIC 19 JUL 2017	NAME BUCHANAN WireMate POKE-IN CONNECTOR, 8mm PITCH	
0 PLC ±-		PRODUCT SPEC	SIZE CAGE CODE DRAWING NO	
1 PLC ±0.20		APPLICATION SPEC	A200779 C-2318582	
2 PLC ±0.10		WEIGHT	RESTRICTED TO	
3 PLC ±-		CUSTOMER DRAWING	SCALE 2:1 SHEET 2 OF 2 REV A1	
4 PLC ±-				
ANGLES ±2°				
FINISH				

## X-ON Electronics

Largest Supplier of Electrical and Electronic Components

*Click to view similar products for [Fixed Terminal Blocks](#) category:*

*Click to view products by [TE Connectivity](#) manufacturer:*

Other Similar products are found below :

[MBE-1512](#) [MBE-154](#) [MBE-156](#) [MBES-153](#) [MBES-156](#) [MH-2512](#) [MHE-132](#) [MHE-163](#) [MI-254 \(35\)](#) [MI-272](#) [880507](#) [MPT-275](#)  
[15602-04-08-21](#) [ELM023100](#) [BA311TU](#) [BA411SU](#) [MV-152](#) [MV-252-D](#) [MV-253/NCNOC](#) [MV-254-D](#) [MV-255](#) [MV-462](#) [MV-493](#) [MVE-](#)  
[252](#) [MVE-253](#) [MVE-273](#) [MVEB-153](#) [1700096](#) [1705142](#) [1712417](#) [1713020](#) [1713088](#) [1745195](#) [1760594](#) [1776118-2](#) [1790852](#) [1-796689-8](#)  
[1-796692-6](#) [1800001](#) [1800114](#) [1995279](#) [20020314-C121B01LF](#) [20020316-G041B01LF](#) [CB2-12](#) [KP03215000J0G](#) [KP04215000J0G](#) [S451](#)  
[282802-2](#) [29.007](#) [29.116](#)