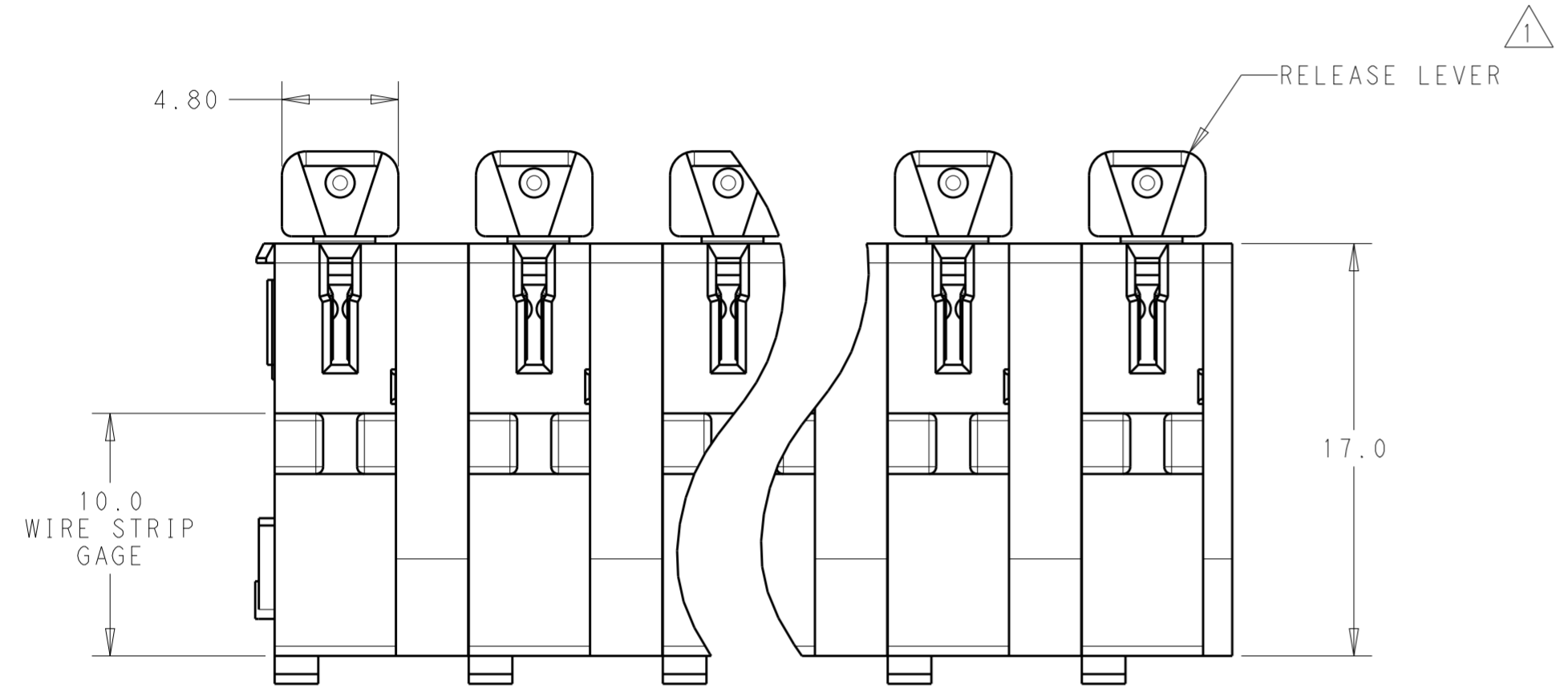


THIS DRAWING IS UNPUBLISHED. RELEASED FOR PUBLICATION
 © COPYRIGHT copyright.d8te- ALL RIGHTS RESERVED.

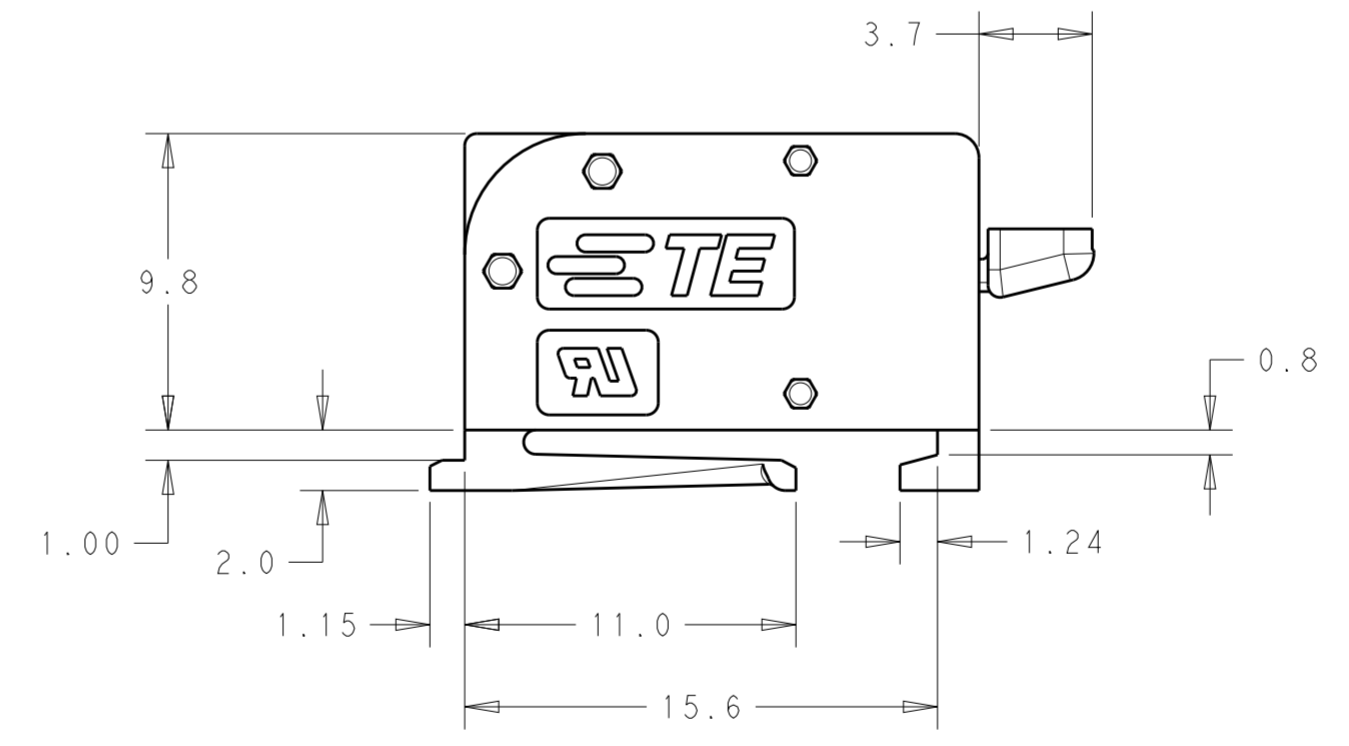
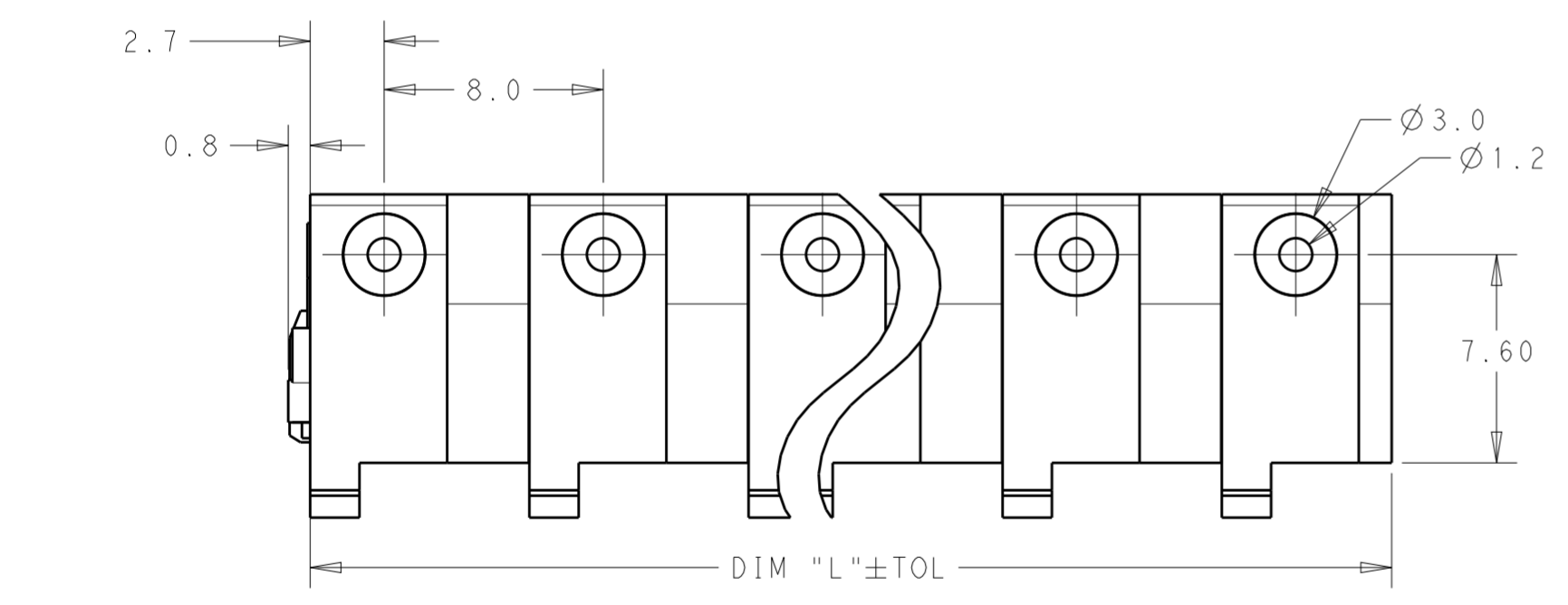
REVISIONS				
P	LTR	DESCRIPTION	DATE	APVD
4		PART UPDATE	07FEB2018	JS ML
5		ADD 2318582-2 TO PARTS LIST, CHANGE TITLE	19MAR2018	JS ML
A		ECR-18-011503	24JUL2018	GCM DD
A1		ECR-18-013416	17SEP2018	SR DD



1 MATERIALS AND FINISH:
 CONNECTOR HOUSING: GF PBT, COLOR: NATURAL
 END CAP: GF PBT, COLOR: NATURAL
 RELEASE LEVER: GF PBT, COLOR: GREY
 CONTACTS: COPPER ALLOY, FINISH; Sn OVER Ni

2 CLEARANCE BETWEEN MOUNTING PLATE AND RELEASE LEVER AT MAXIMUM TRAVEL AS SHOWN.

- 3. MATERIALS COMPLY WITH DIRECTIVE 2002/95/EC (ROHS).
- 4. THIS PRODUCT HAS NOT COMPLETED VALIDATION TESTING.
- 5. PACKAGED IN TRAYS.



62.2	8	2318582-8
54.2	7	2318582-7
46.2	6	2318582-6
38.2	5	2318582-5
30.2	4	2318582-4
22.2	3	2318582-3
14.2	2	2318582-2
DIM "L"		CIRCUITS TE PART NUMBER

THIS DRAWING IS A CONTROLLED DOCUMENT.

DWN: J. SHAFFER 19 JUL 2017
 CHK: MAREK LUKSIC 19 JUL 2017
 APVD: MAREK LUKSIC 19 JUL 2017

STE TE Connectivity

NAME: BUCHANAN WireMate POKE-IN CONNECTOR, 8mm PITCH

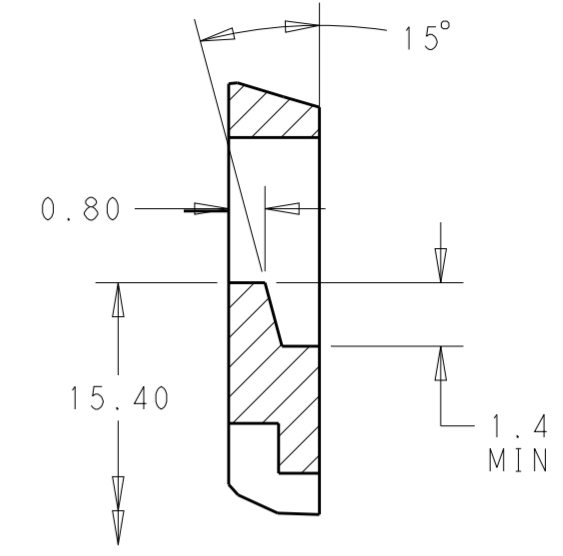
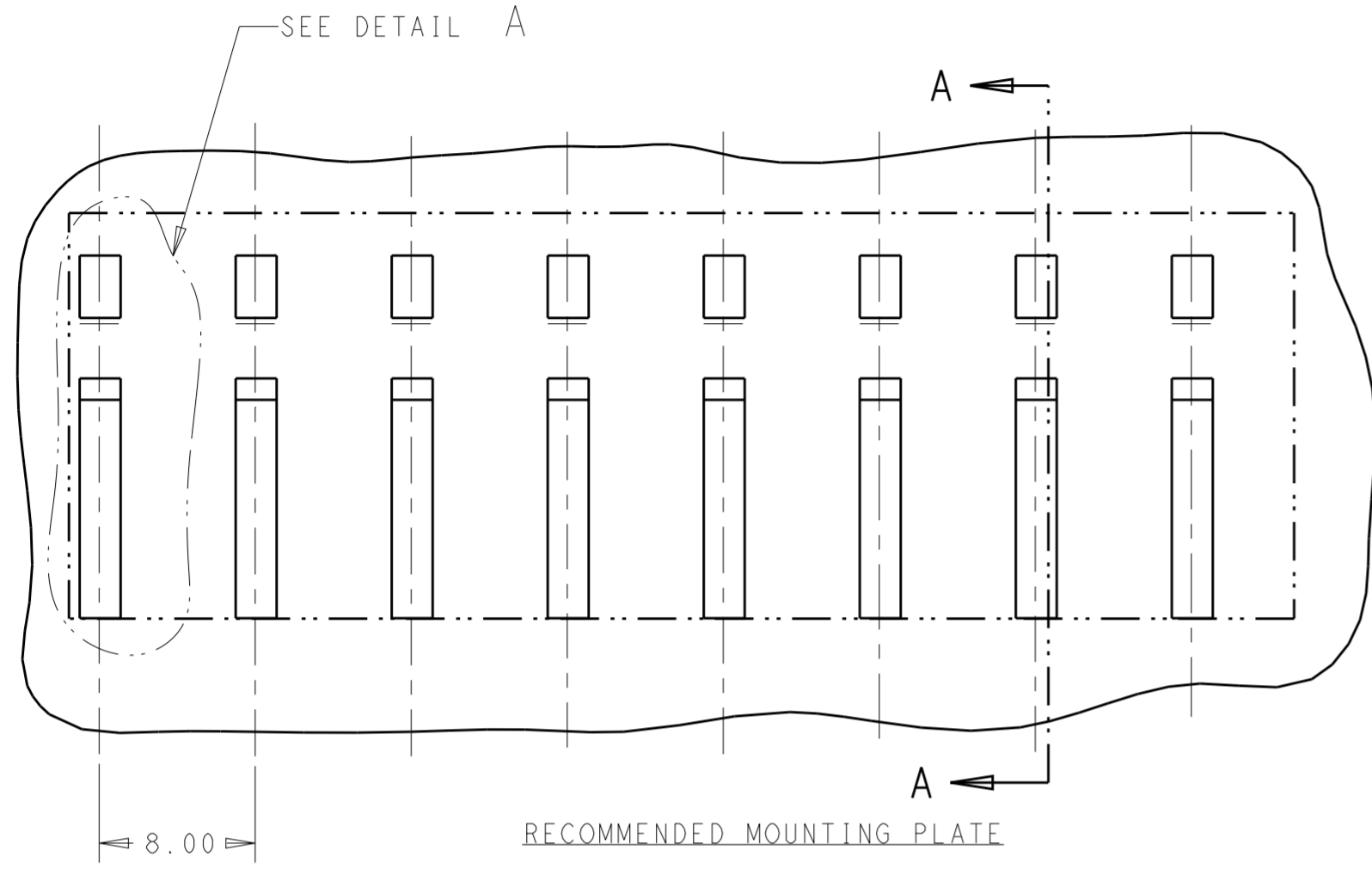
PRODUCT SPEC: -
 APPLICATION SPEC: -
 WEIGHT: -

SIZE: A2 | CAGE CODE: 00779 | DRAWING NO: C-2318582 | RESTRICTED TO: -

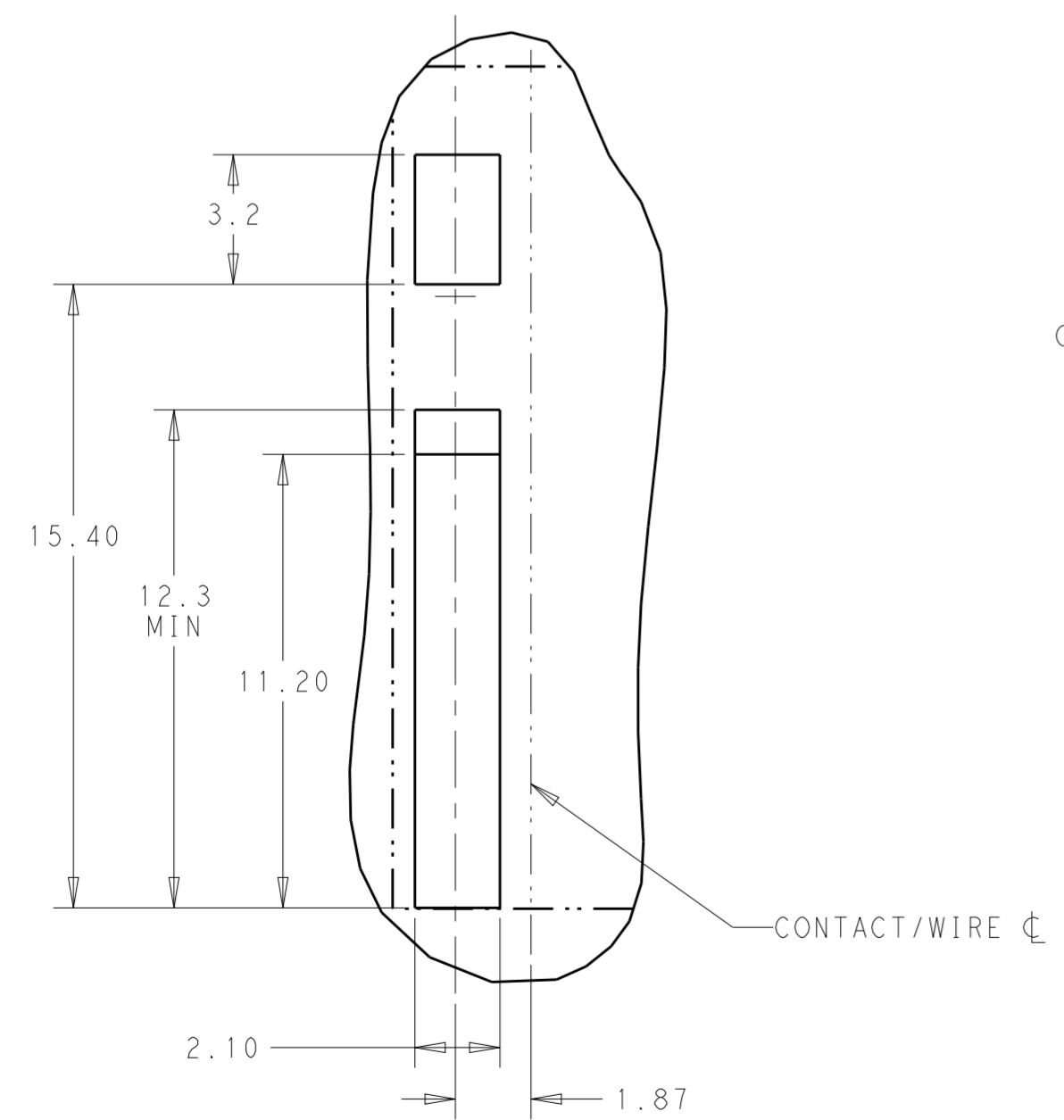
CUSTOMER DRAWING | SCALE: 2:1 | SHEET: 1 OF 2 | REV: A1

THIS DRAWING IS UNPUBLISHED. RELEASED FOR PUBLICATION
 © COPYRIGHT copyright.d8te- ALL RIGHTS RESERVED.

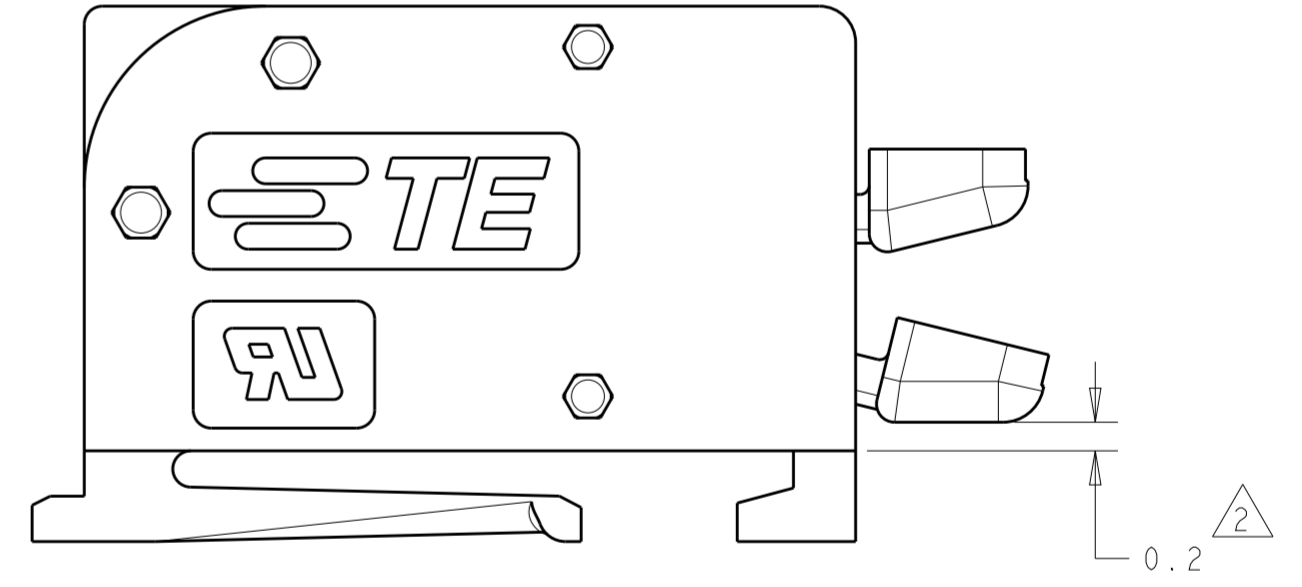
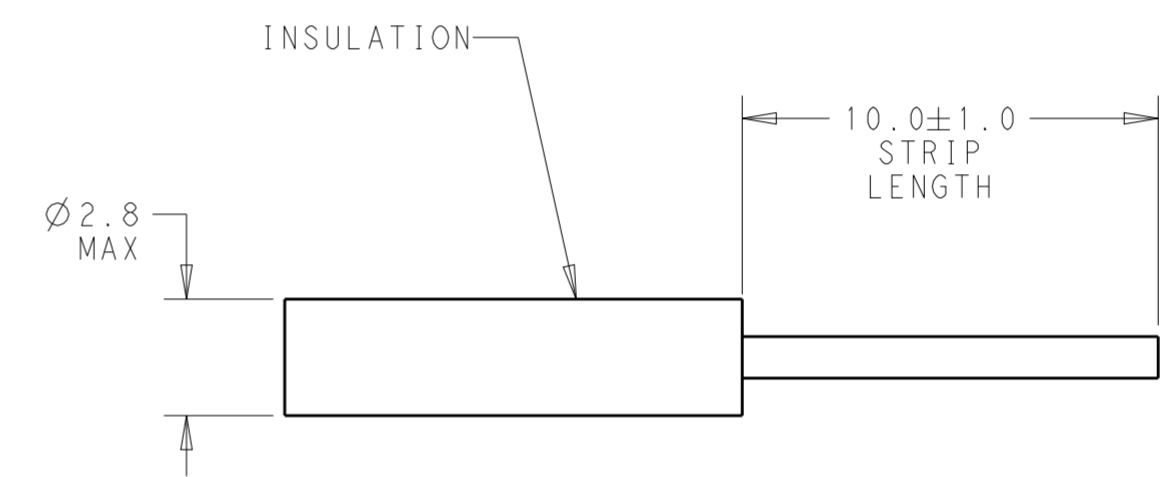
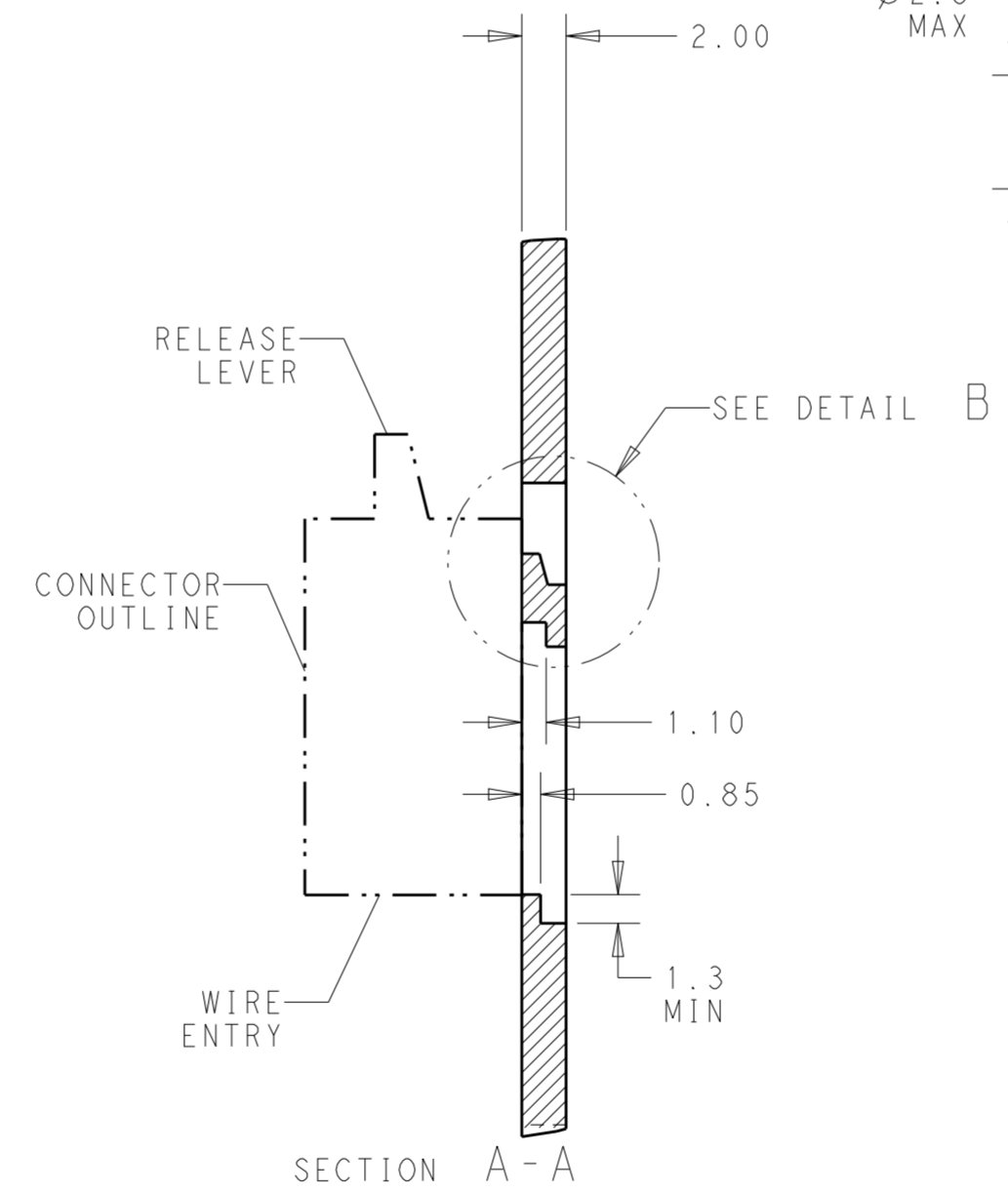
REVISIONS				
P	LTR	DESCRIPTION	DATE	APVD
-	-	SEE SHEET 1	-	-



DETAIL B
SCALE 6:1



DETAIL A
SCALE 6:1



THIS DRAWING IS A CONTROLLED DOCUMENT.		DWN 19 JUL 2017 J. SHAFFER	TE Connectivity	
DIMENSIONS: mm		CHK 19 JUL 2017 MAREK LUKSIC		
TOLERANCES UNLESS OTHERWISE SPECIFIED:		APVD 19 JUL 2017 MAREK LUKSIC	NAME BUCHANAN WireMate POKE-IN CONNECTOR, 8mm PITCH	
0 PLC ±-		PRODUCT SPEC	SIZE CAGE CODE DRAWING NO RESTRICTED TO	
1 PLC ±0.20		APPLICATION SPEC	A200779 C-2318582	
2 PLC ±0.10		WEIGHT	SCALE 2:1 SHEET 2 OF 2 REV A1	
3 PLC ±-		CUSTOMER DRAWING		
4 PLC ±-				
ANGLES ±2°				
FINISH				

X-ON Electronics

Largest Supplier of Electrical and Electronic Components

Click to view similar products for [Fixed Terminal Blocks](#) category:

Click to view products by [TE Connectivity](#) manufacturer:

Other Similar products are found below :

[MBE-1512](#) [MBE-154](#) [MBE-156](#) [MBES-153](#) [MBES-156](#) [MH-2512](#) [MHE-132](#) [MHE-163](#) [MI-254 \(35\)](#) [MI-272](#) [880507](#) [MPT-275](#)
[15602-04-08-21](#) [ELM023100](#) [BA311TU](#) [BA411SU](#) [MV-152](#) [MV-252-D](#) [MV-253/NCNOC](#) [MV-254-D](#) [MV-255](#) [MV-462](#) [MV-493](#) [MVE-](#)
[252](#) [MVE-253](#) [MVE-273](#) [MVEB-153](#) [1700096](#) [1705142](#) [1712417](#) [1713020](#) [1713088](#) [1745195](#) [1760594](#) [1776118-2](#) [1790852](#) [1-796689-8](#)
[1-796692-6](#) [1800001](#) [1800114](#) [1995279](#) [20020314-C121B01LF](#) [20020316-G041B01LF](#) [CB2-12](#) [KP03215000J0G](#) [KP04215000J0G](#) [S451](#)
[282802-2](#) [29.007](#) [29.116](#)