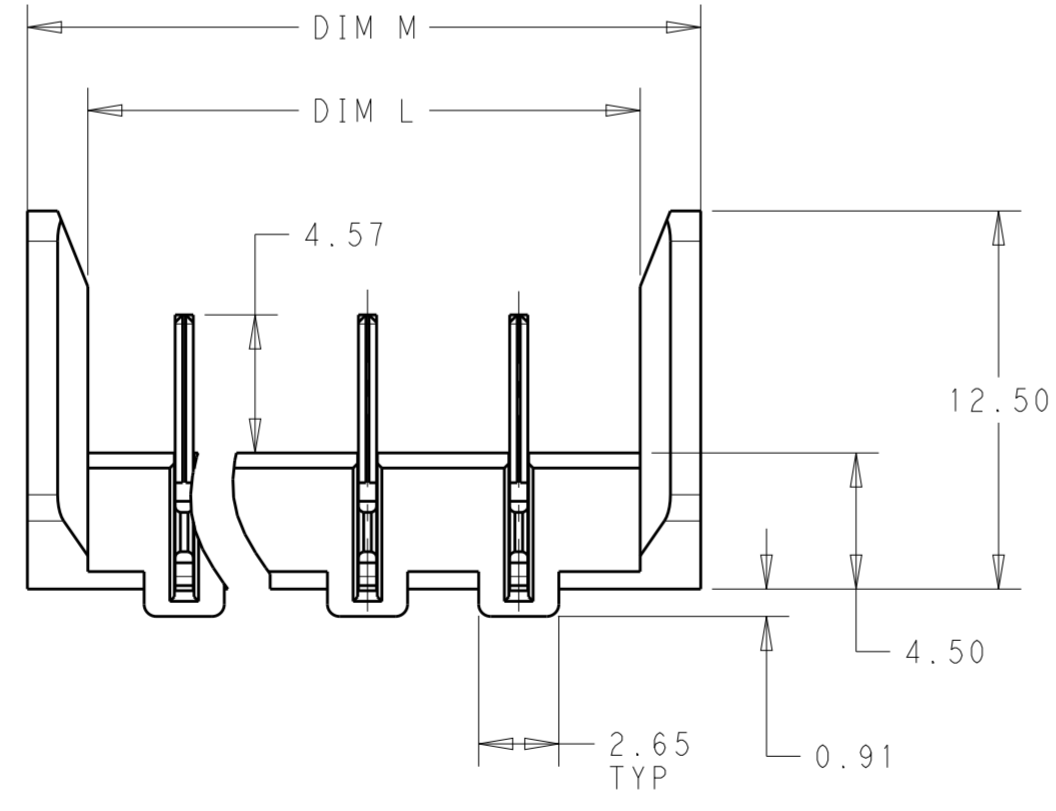
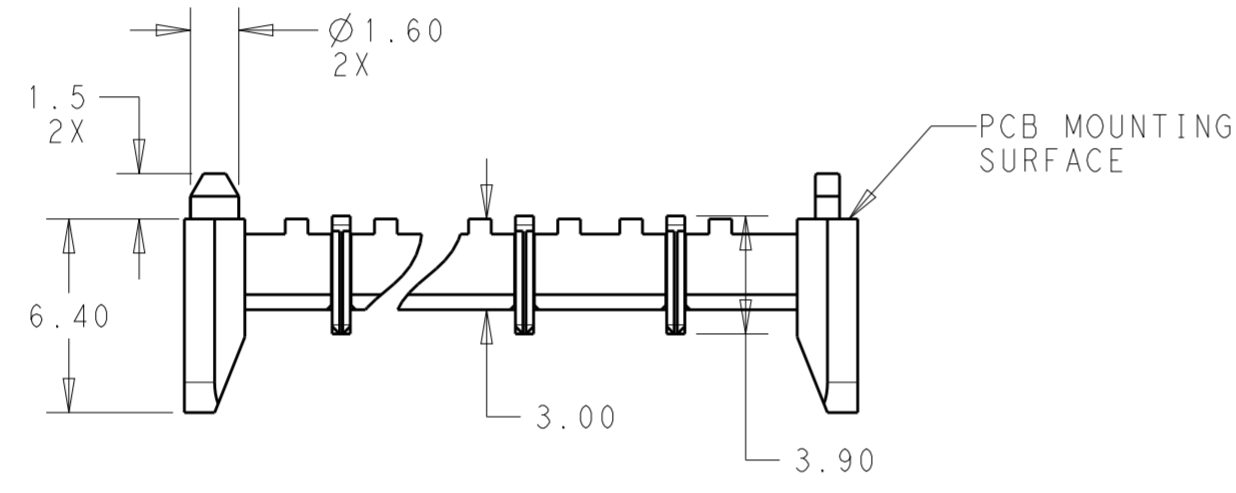
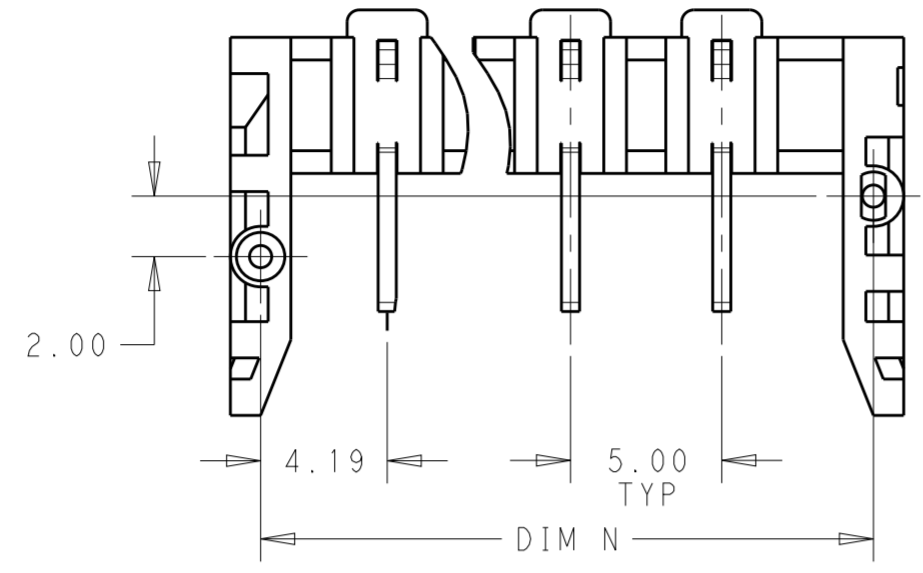


THIS DRAWING IS UNPUBLISHED. RELEASED FOR PUBLICATION
 © COPYRIGHT copyright.d8te- ALL RIGHTS RESERVED.

REVISIONS				
P	LTR	DESCRIPTION	DATE	APVD
3		PART UPDATE	07FEB2018	JS ML
A		ECR-18-011659	24JUL2018	GCM DD
A1		ECR-18-011838	27JUL2018	RSM DD
A2		ECR-18-013416	17SEP2018	SR DD



NOTES:

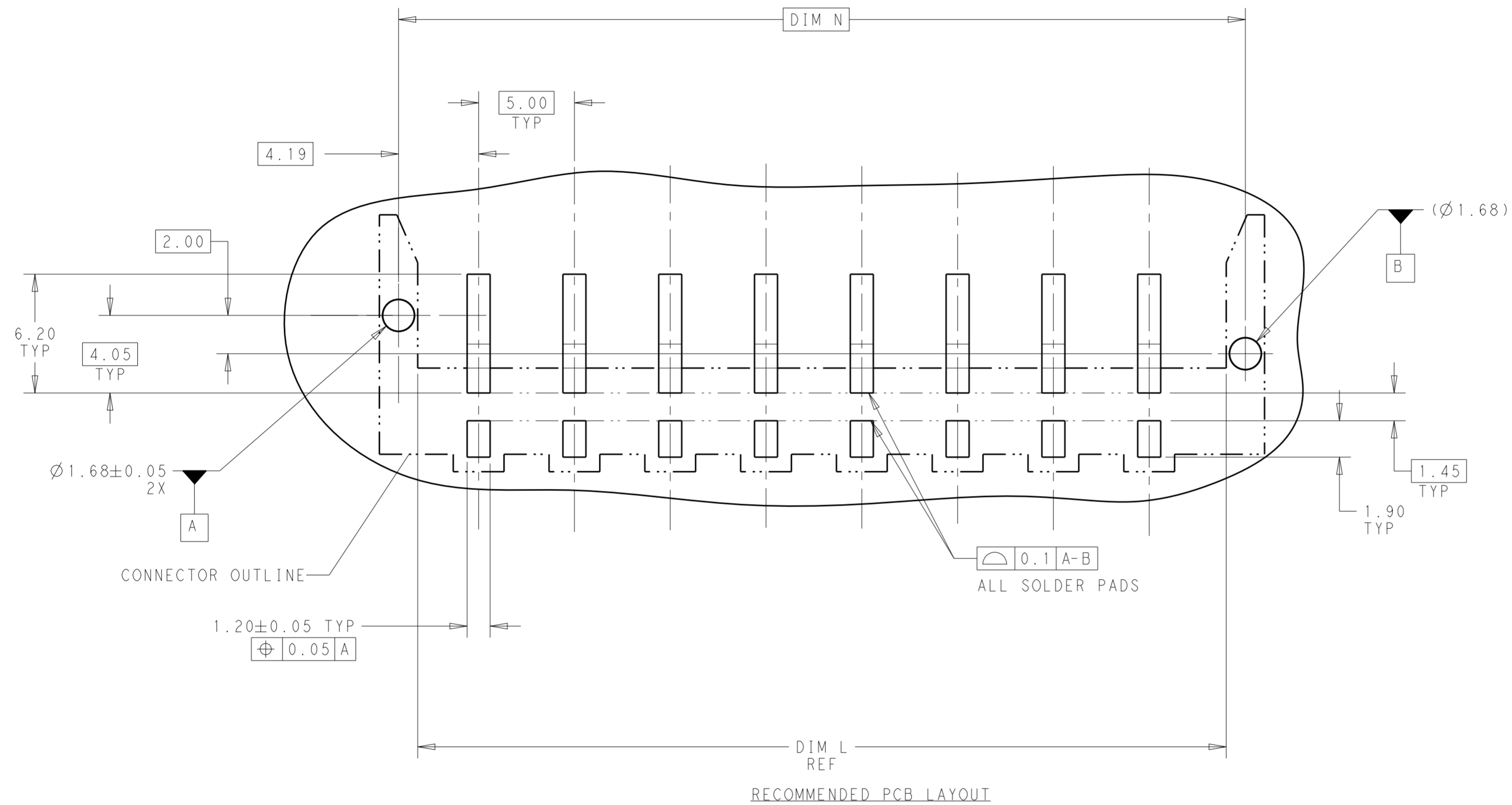
1. MATERIALS AND FINISH:
 -HOUSING: GF LCP, COLOR: NATURAL
 -CONTACTS: COPPER ALLOY, FINISH: Sn OVER Ni
2. MUST COMPLY WITH DIRECTIVE 2002/95/EC (ROHS)
3. THIS PRODUCT HAS NOT COMPLETED VALIDATION TESTING
4. PACKAGED TAPE AND REEL (PER EIA 481 SPEC).

44.20	46.20	42.20	8	2318770-8
39.20	41.20	37.20	7	2318770-7
34.20	36.20	32.20	6	2318770-6
29.20	31.20	27.20	5	2318770-5
24.20	26.20	22.20	4	2318770-4
19.20	21.20	17.20	3	2318770-3
14.20	16.20	12.20	2	2318770-2
DIM "N"	DIM "M"	DIM "L"	POSITION (REF)	TE PART NUMBER

THIS DRAWING IS A CONTROLLED DOCUMENT.		DWN J. SHAFFER 06 JULY 2017	TE Connectivity	
DIMENSIONS: mm		CHK MAREK LUKSIC 06 JUL 2017		
TOLERANCES UNLESS OTHERWISE SPECIFIED:		APVD MAREK LUKSIC 06 JUL 2017	NAME BUCHANAN WireMate WALL PLATE SMT HEADER, 5mm PITCH	
0 PLC ± 1 PLC ±0.20 2 PLC ±0.10 3 PLC ± 4 PLC ± ANGLES ±2° FINISH -		PRODUCT SPEC 108-133105	RESTRICTED TO -	
MATERIAL -		APPLICATION SPEC 114-133111	SIZE A2	CAGE CODE 00779
		WEIGHT -	DRAWING NO C-2318770	SCALE 4:1
		CUSTOMER DRAWING	SHEET 1	OF 2
			REV A2	

THIS DRAWING IS UNPUBLISHED. RELEASED FOR PUBLICATION
 © COPYRIGHT copyright.d8te- ALL RIGHTS RESERVED.

REVISIONS				
P	LTR	DESCRIPTION	DATE	APVD
-	-	SEE SHEET 1	-	-



RECOMMENDED PCB LAYOUT

THIS DRAWING IS A CONTROLLED DOCUMENT.		DWN J. SHAFFER 06 JULY 2017	TE Connectivity	
DIMENSIONS:		CHK MAREK LUKSIC 06 JULY 2017		
mm	TOLERANCES UNLESS OTHERWISE SPECIFIED:	APVD MAREK LUKSIC 06 JULY 2017	NAME BUCHANAN WireMate WALL PLATE SMT HEADER, 5mm PITCH	
	0 PLC ± 1 PLC ±0.20 2 PLC ±0.10 3 PLC ± 4 PLC ± ANGLES ±2° FINISH -	PRODUCT SPEC -	SIZE A200779	
MATERIAL -	-	APPLICATION SPEC -	CAGE CODE C-2318770	RESTRICTED TO -
-		WEIGHT -	DRAWING NO -	SCALE 4:1
-		CUSTOMER DRAWING	SHEET 2 OF 2	REV A2

X-ON Electronics

Largest Supplier of Electrical and Electronic Components

Click to view similar products for [Pluggable Terminal Blocks](#) category:

Click to view products by [TE Connectivity](#) manufacturer:

Other Similar products are found below :

[57.510.0053](#) [MC 1.5/ 6-ST-3.5 GY AU](#) [734-104](#) [734-302](#) [8-141-P](#) [8426620000](#) [860505](#) [860516](#) [860810](#) [GBPACX-12](#) [93.731.4953.0](#) [PV05-5,08-K](#) [PVP02-5,00](#) [PVP03-3,50](#) [PVP04-3,50](#) [PVS02-5,00](#) [1-1986160-3](#) [1377680000](#) [1531000000](#) [1546228-5](#) [ELFH16150](#) [ELFP03110](#) [ELFP10210](#) [ELFT06250](#) [ELVP03100](#) [1700101](#) [1700410](#) [1700425](#) [1702246](#) [1705229](#) [1710175](#) [1714537](#) [1717806](#) [1719600](#) [1728941](#) [1734692](#) [1734795](#) [1736036](#) [1740194](#) [1740291](#) [1740628](#) [1740990](#) [1746952](#) [1750207](#) [1752441](#) [1752865](#) [1754115](#) [1754144](#) [1756913](#) [1760051](#)