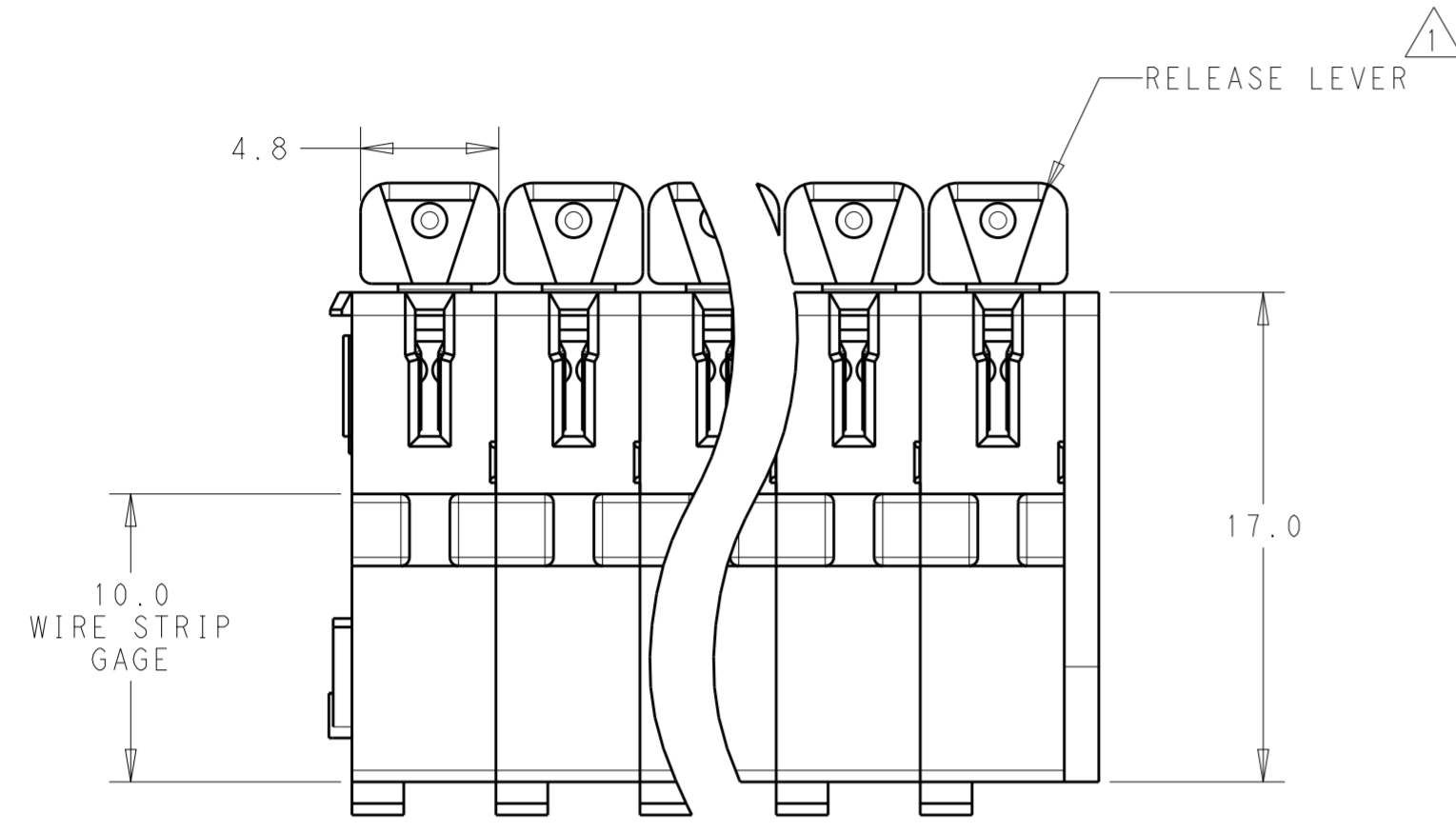


THIS DRAWING IS UNPUBLISHED. RELEASED FOR PUBLICATION  
 © COPYRIGHT copyright.dBTe- ALL RIGHTS RESERVED.

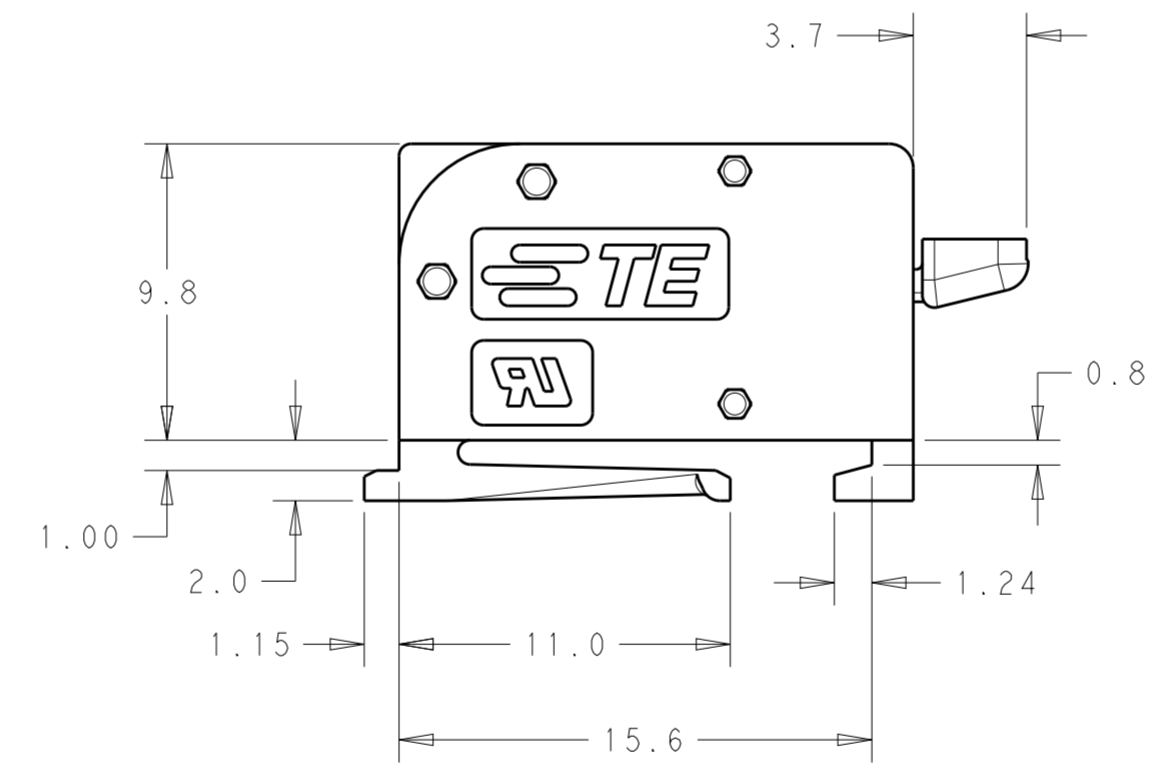
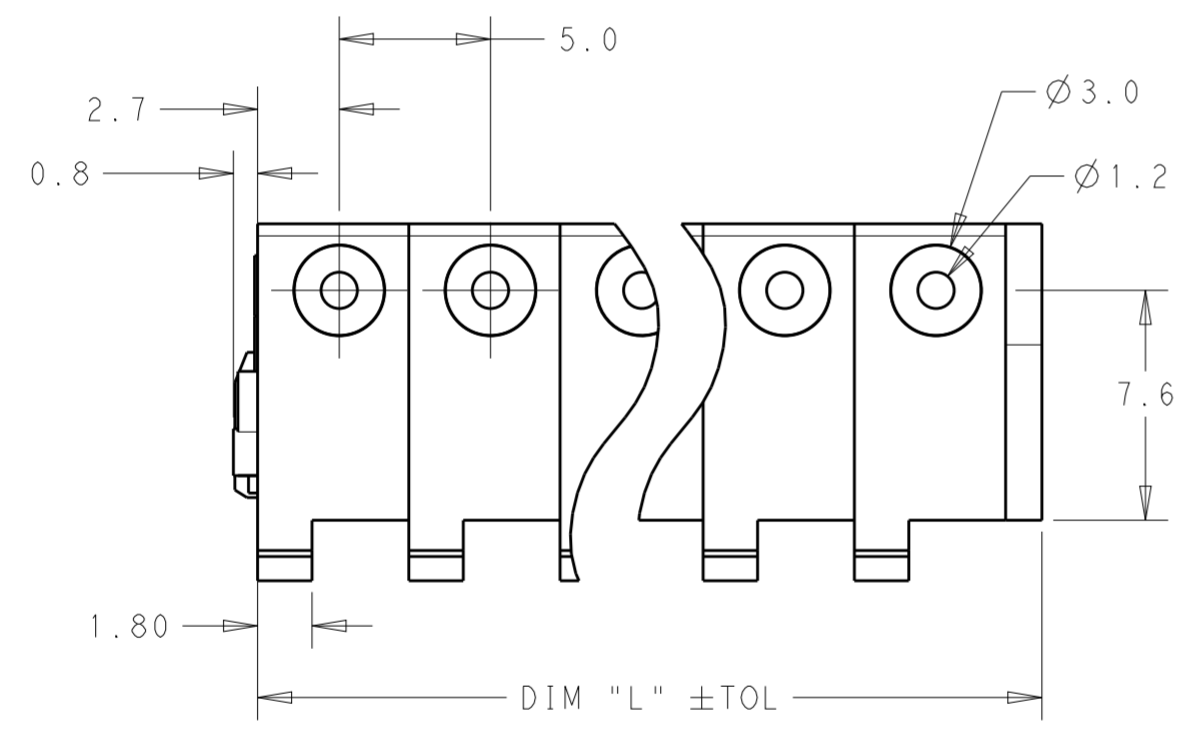
REVISIONS				
P	LTR	DESCRIPTION	DATE	APVD
2		PART UPDATE	07FEB2018	JS ML
3		ADD 2319461-2 TO PARTS LIST,CHANGE TITLE	19MAR2018	JS ML
A		ECR-18-011503	24JUL2018	GCM DD
A1		ECR-18-013416	17SEP2018	SR DD



1 MATERIALS AND FINISH:  
 CONNECTOR HOUSING: GF PBT,COLOR: NATURAL  
 END CAP: GF PBT,COLOR: NATURAL  
 RELEASE LEVER: GF PBT,COLOR: GREY  
 CONTACTS: COPPER ALLOY,FINISH; Sn OVER Ni

2 CLEARANCE BETWEEN MOUNTING PLATE AND RELEASE LEVER AT MAXIMUM TRAVEL AS SHOWN.

- 3. MATERIALS COMPLY WITH DIRECTIVE 2002/95/EC (ROHS).
- 4. THIS PRODUCT HAS NOT COMPLETED VALIDATION TESTING.
- 5. PACKAGED IN TRAYS.

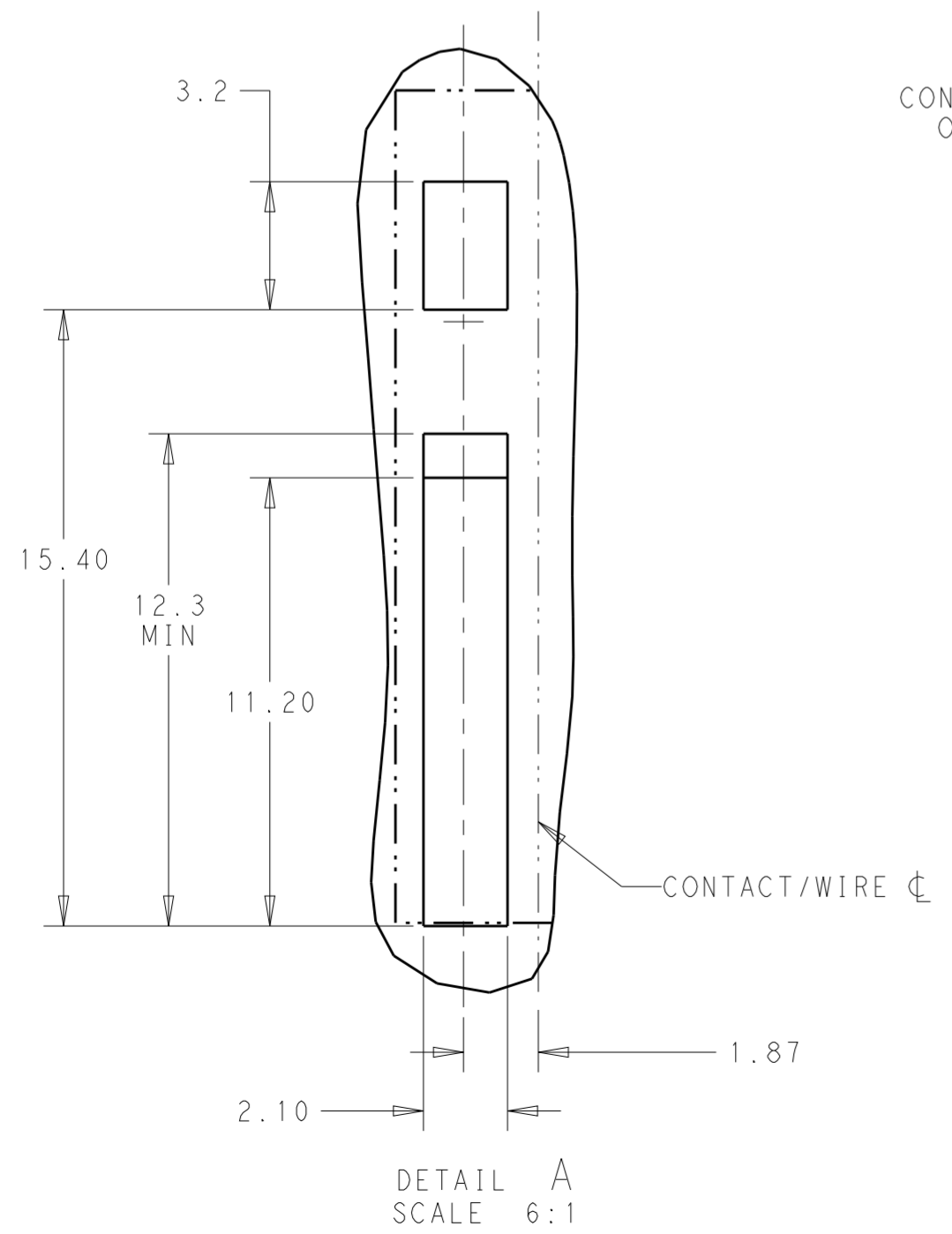
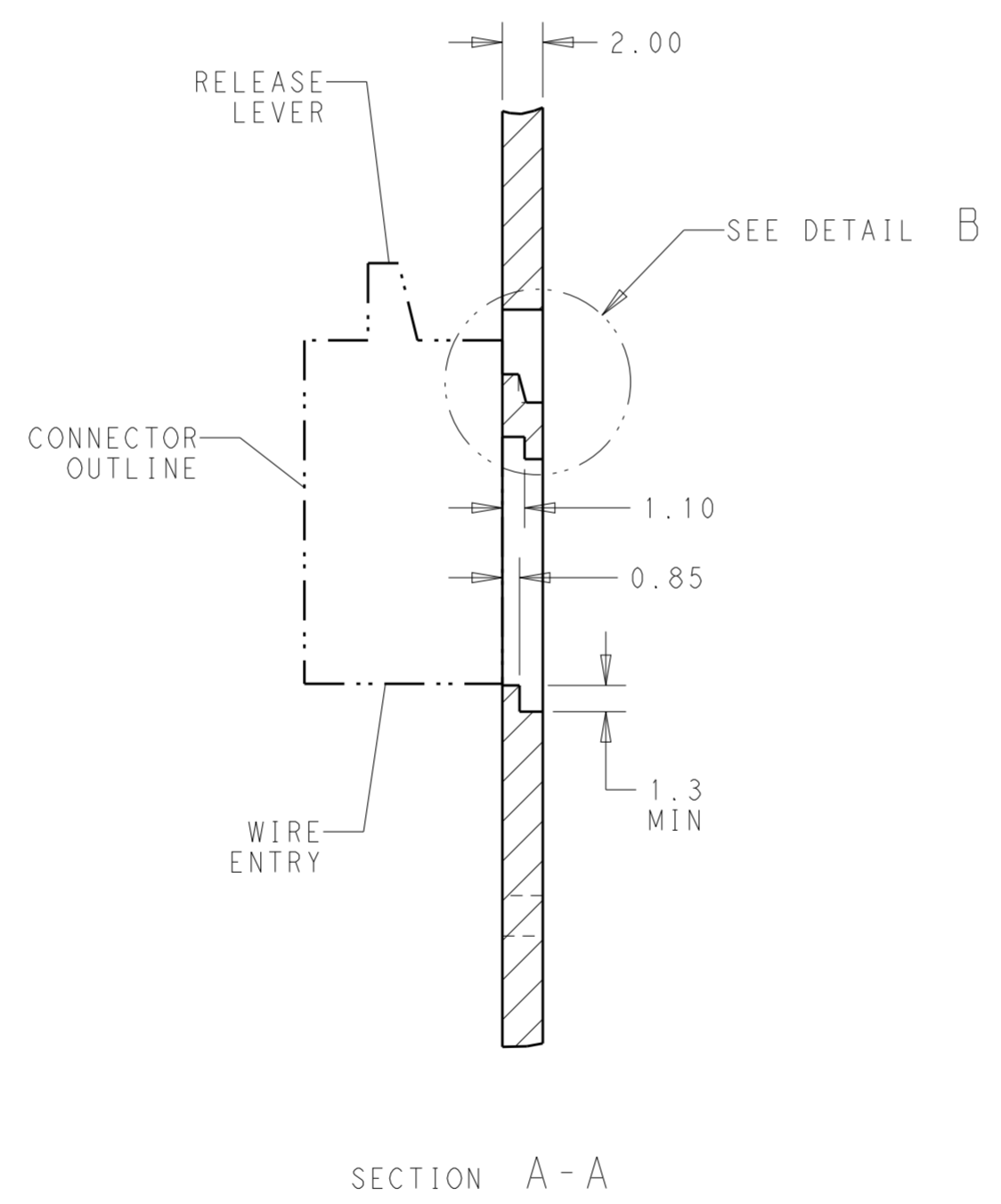
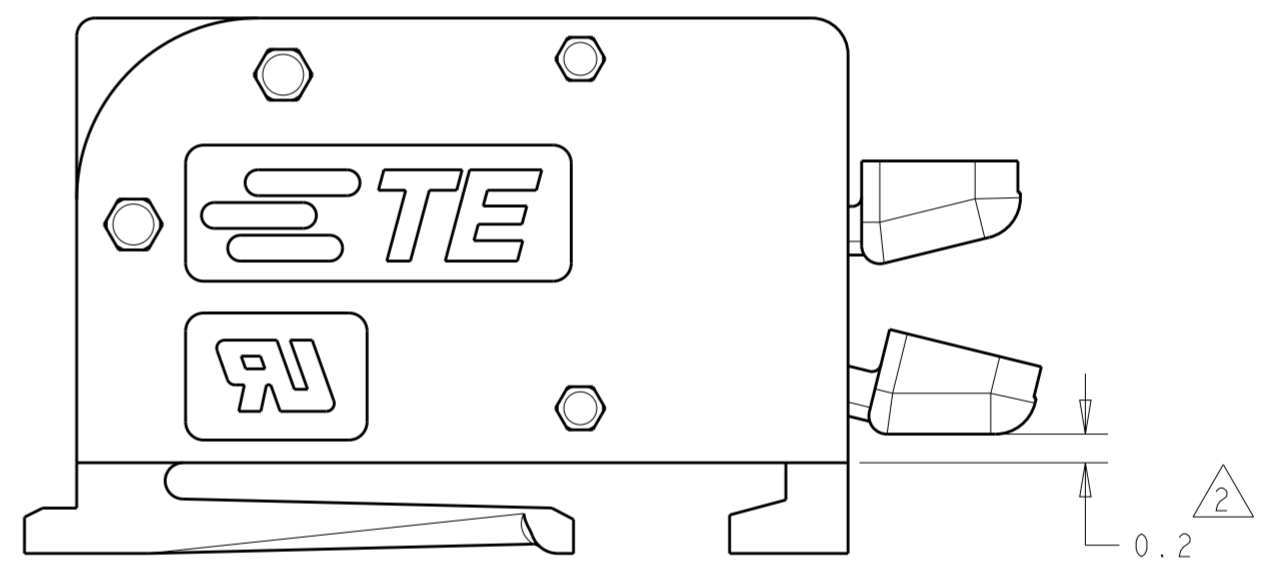
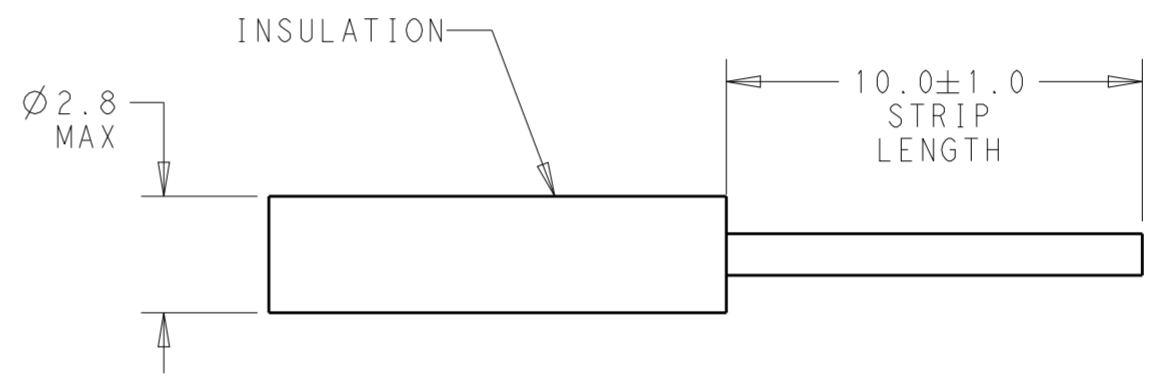
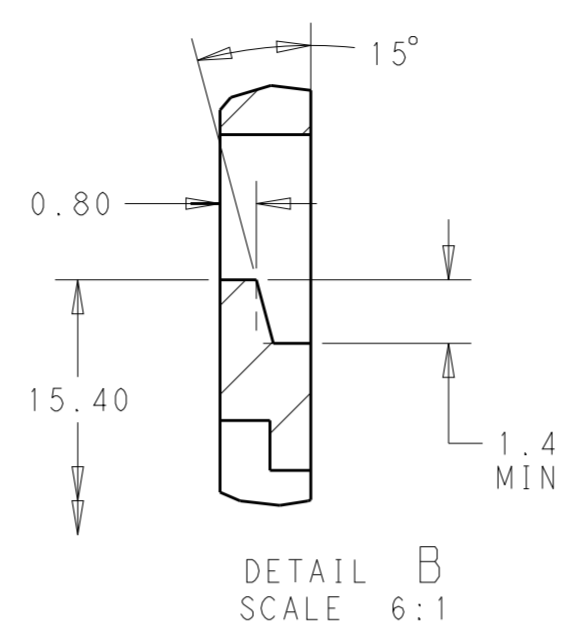
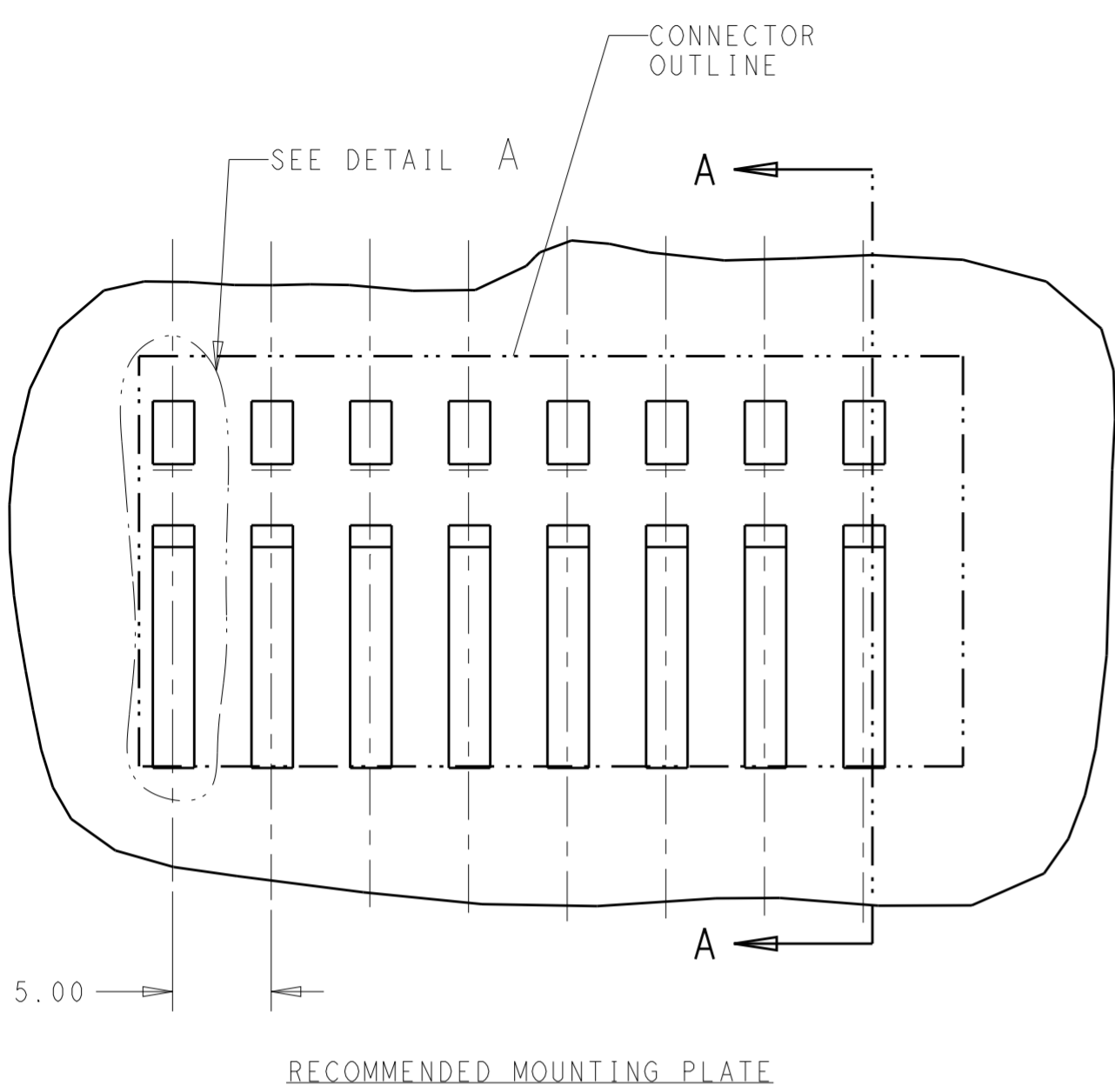


41.2	8	2319461-8
36.2	7	2319461-7
31.2	6	2319461-6
26.2	5	2319461-5
21.2	4	2319461-4
16.2	3	2319461-3
11.2	2	2319461-2
DIM "L"	CIRCUITS	TE PART NUMBER

THIS DRAWING IS A CONTROLLED DOCUMENT.		DWN J. SHAFFER 19 JUL 2017	TE Connectivity	
DIMENSIONS:		CHK MAREK LUKSIC 19 JUL 2017		
TOLERANCES UNLESS OTHERWISE SPECIFIED:		APVD MAREK LUKSIC 19 JUL 2017	NAME BUCHANAN WireMate POKE-IN CONNECTOR, 5mm PITCH	
mm	0 PLC ± 1 PLC ±0.20 2 PLC ±0.10 3 PLC ± 4 PLC ±	PRODUCT SPEC	SIZE	RESTRICTED TO
	ANGLES ±2° FINISH	APPLICATION SPEC	CAGE CODE	
MATERIAL		WEIGHT	DRAWING NO	
		CUSTOMER DRAWING	A200779	
		SCALE	3:1	
		SHEET	1 OF 2	
		REV	A1	

THIS DRAWING IS UNPUBLISHED. RELEASED FOR PUBLICATION  
 © COPYRIGHT copyright dbTe ALL RIGHTS RESERVED.

REVISIONS				
P	LTR	DESCRIPTION	DATE	APVD
-	-	SEE SHEET 1	-	-



THIS DRAWING IS A CONTROLLED DOCUMENT.		DWN J. SHAFFER 19 JUL 2017	<b>STE</b> TE Connectivity	
DIMENSIONS: mm		CHK MAREK LUKSIC 19 JUL 2017		
TOLERANCES UNLESS OTHERWISE SPECIFIED:		APVD MAREK LUKSIC 19 JUL 2017	NAME BUCHANAN WireMate POKE-IN CONNECTOR, 5mm PITCH	
0 PLC	±	PRODUCT SPEC	SIZE	RESTRICTED TO
1 PLC	±0.20	APPLICATION SPEC	CAGE CODE	
2 PLC	±0.10	WEIGHT	DRAWING NO	
3 PLC	±	CUSTOMER DRAWING	A200779	
4 PLC	±	SCALE 3:1	C-2319461	
ANGLES	±2°	SHEET 2 OF 2	REV A1	
FINISH	-			

## **X-ON Electronics**

Largest Supplier of Electrical and Electronic Components

*Click to view similar products for [Fixed Terminal Blocks](#) category:*

*Click to view products by [TE Connectivity](#) manufacturer:*

Other Similar products are found below :

[MBE-1512](#) [MBE-154](#) [MBE-156](#) [MBES-153](#) [MBES-156](#) [MH-2512](#) [MHE-132](#) [MHE-163](#) [MI-254 \(35\)](#) [MI-272](#) [880507](#) [MPT-275](#)  
[15602-04-08-21](#) [BA311TU](#) [BA411SU](#) [MV-152](#) [MV-252-D](#) [MV-253/NCNOC](#) [MV-254-D](#) [MV-255](#) [MV-462](#) [MV-493](#) [MVE-252](#) [MVE-253](#)  
[MVE-273](#) [MVEB-153](#) [1700096](#) [1705142](#) [1712417](#) [1713020](#) [1713088](#) [1745195](#) [1760594](#) [1776118-2](#) [1790852](#) [1-796689-8](#) [1-796692-6](#)  
[1800001](#) [1800114](#) [1995279](#) [20020314-C121B01LF](#) [20020316-G041B01LF](#) [CB2-12](#) [KP03215000J0G](#) [KP04215000J0G](#) [S451](#) [282802-2](#)  
[29.007](#) [29.116](#) [30.103](#)