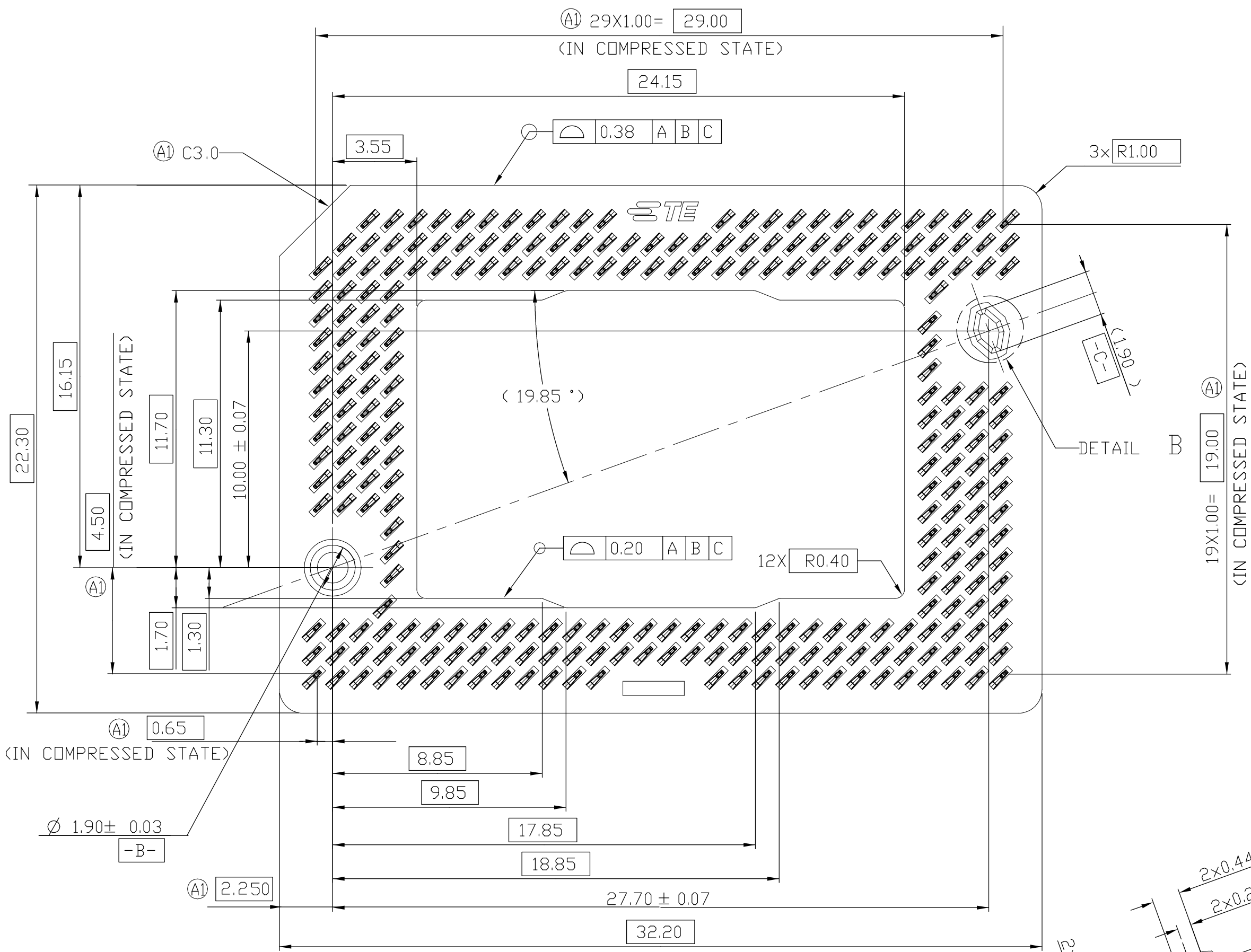
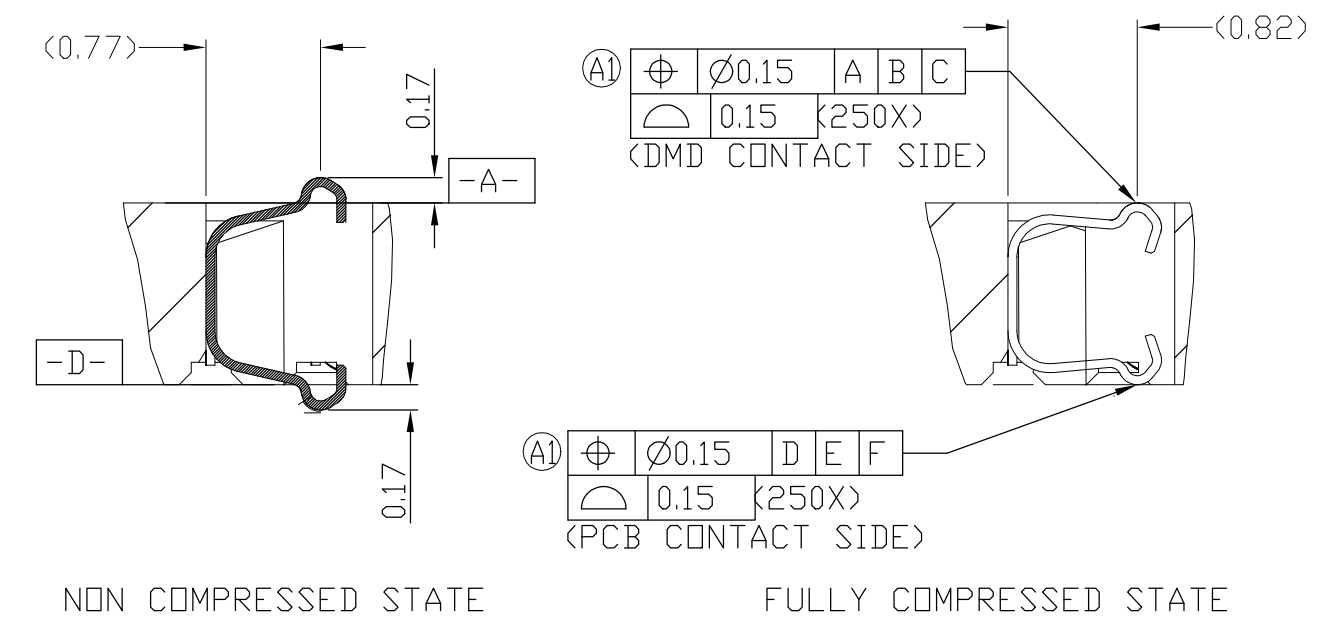


REVISIONS				
P	LTR	DESCRIPTION	DATE	DWN APVD
A1		REVISED PER ECD-19-006292	19MAR2019	T.Z B.L

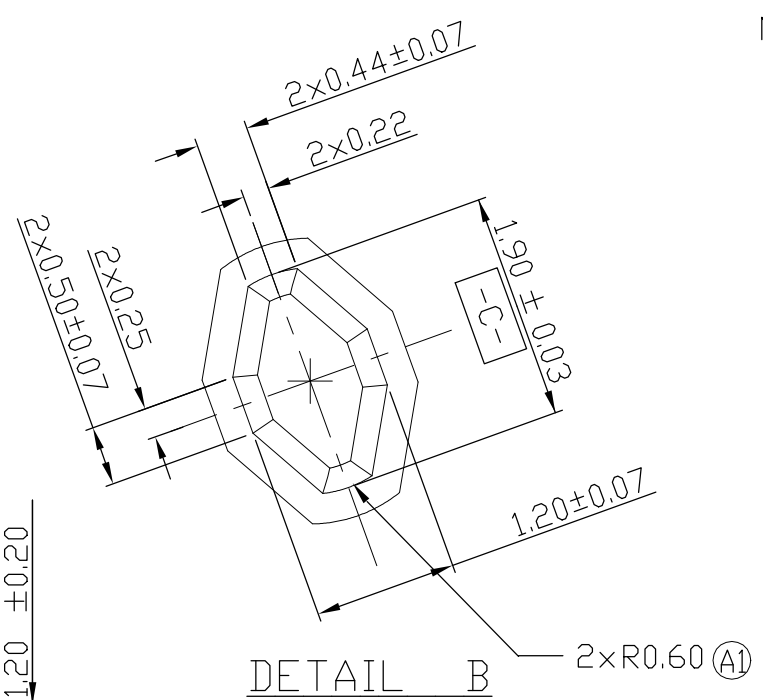
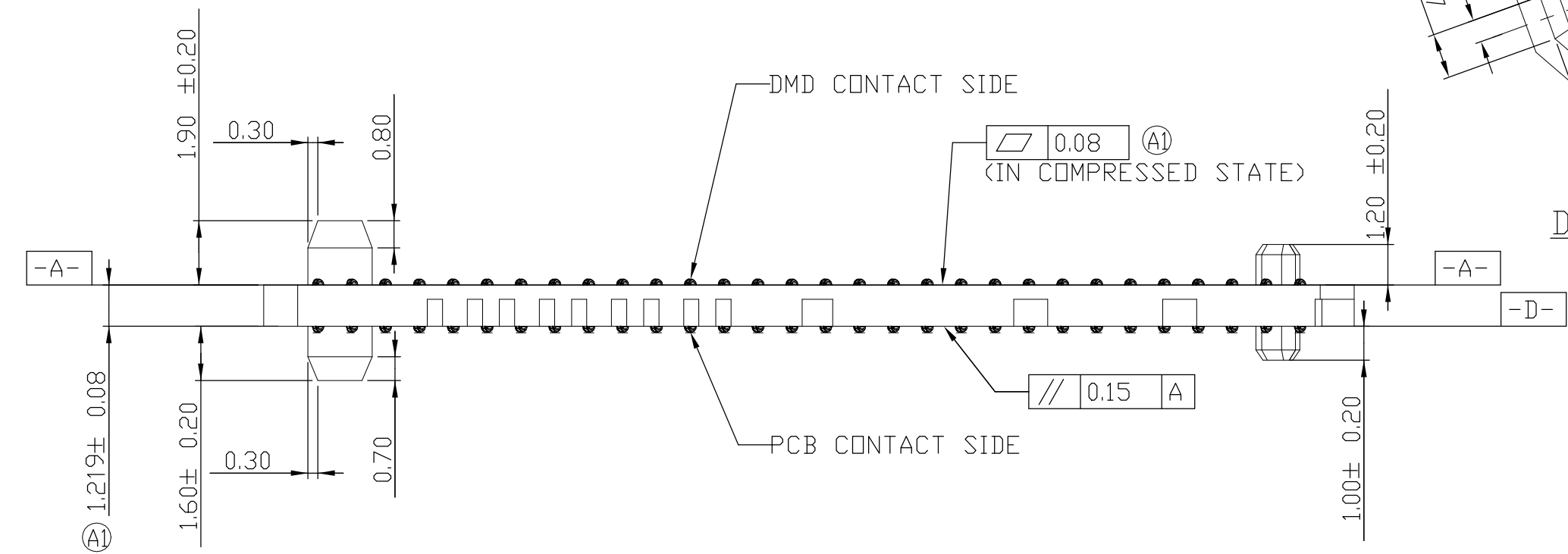


- 1. MATERIAL
 - 1 HOUSING : HIGH TEMP, THERMO-PLASTIC, UL94V-0, BLACK
 - 2 CONTACT : COPPER ALLOY
- 2. FINISH
 - CONTACT : 3u" Au PL. ON CONTACT AREA
 - Ni UNDER PL. 50u" MIN. OVER ALL.
- 3. THICKNESS: 1.219mm AFTER COMPRESSION.
- 4. DIMENSION SHALL BE INTERPRETED PER ASME Y14.5M-1994.
- 5. RECOMMENED CONNECTOR LOADING FORCE: 10Kgf Min.



DMD LGA CONTACT SIDE

CONTACT CROSS SECTION DETAIL

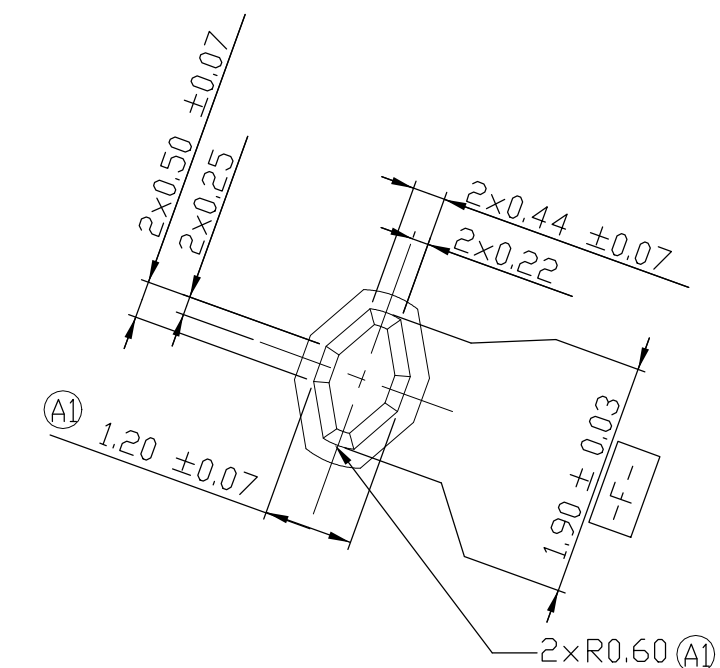
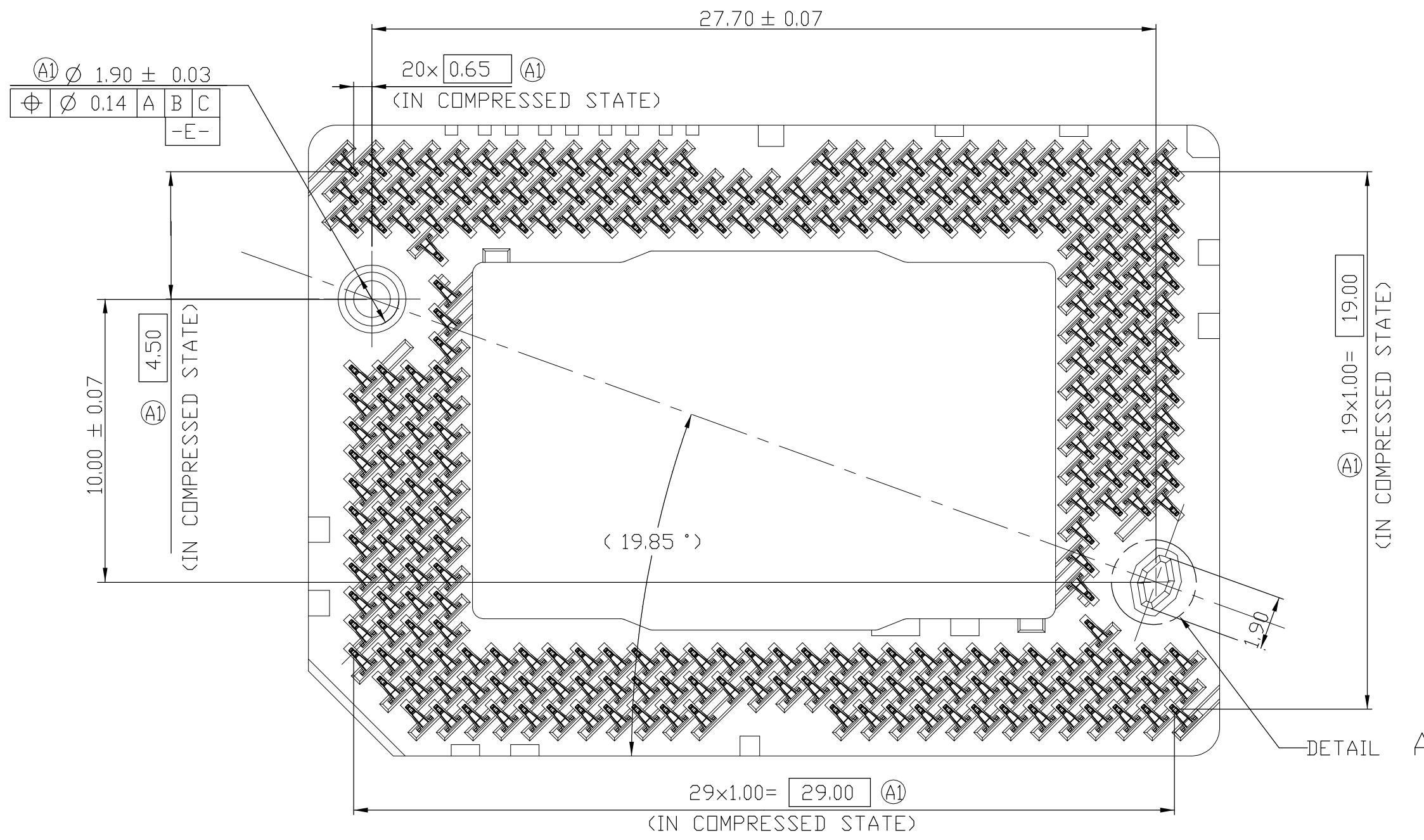


2319757-1:AS SHOWN

THIS DRAWING IS A CONTROLLED DOCUMENT.		DWN BILL LV 5May2017	TE Connectivity
DIMENSIONS: MM		CHK COREL WANG 5May2017	
TOLERANCES UNLESS OTHERWISE SPECIFIED:		APVD COREL WANG 5May2017	NAME CUSTOMER DRAWING DMD SOCKET 257 POS
0 PLC ± 1 PLC ±0.3 2 PLC ±0.15 3 PLC ±0.05 4 PLC ± ANGLES ±3 FINISH		PRODUCT SPEC - APPLICATION SPEC - WEIGHT -	SIZE A2
MATERIAL 1	FINISH 2	CUSTOMER DRAWING	DRAWING NO C=2319757
		SCALE 3:1	RESTRICTED TO -
		SHEET 1 OF 3	REV A1

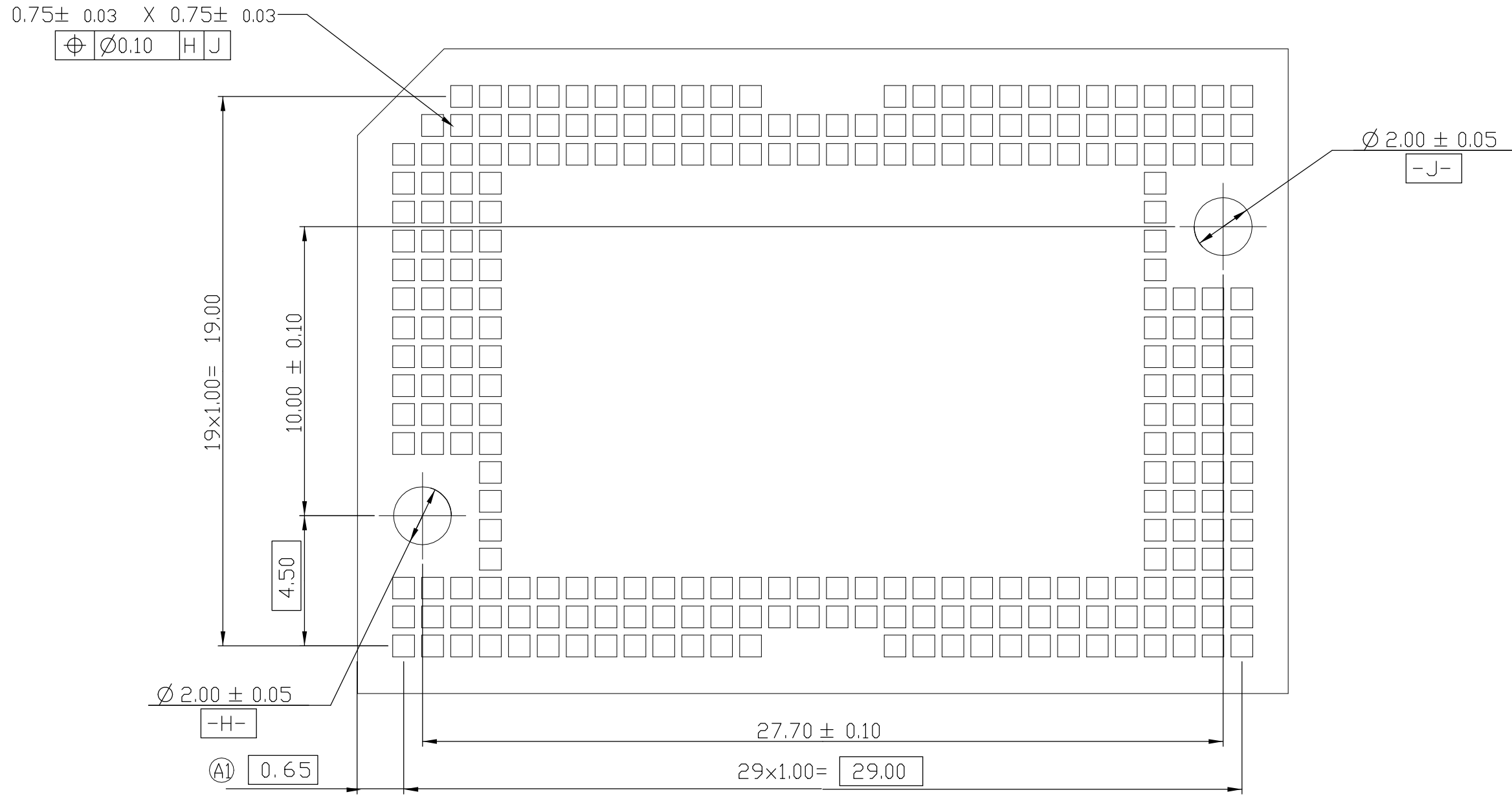
THIS DRAWING IS UNPUBLISHED. RELEASED FOR PUBLICATION 20
 © COPYRIGHT 20 BY - ALL RIGHTS RESERVED.

REVISIONS				
P	LTR	DESCRIPTION	DATE	APVD
-	-	SEE SHEET 1	-	-




PCB CONTACT SIDE

DETAIL A



RECOMMENDED PCB LAYOUT

THIS DRAWING IS A CONTROLLED DOCUMENT.		DWN BILL LV 5May2017	 TE Connectivity
DIMENSIONS: MM		CHK COREL WANG 5May2017	
TOLERANCES UNLESS OTHERWISE SPECIFIED:		APVD COREL WANG 5May2017	NAME CUSTOMER DRAWING DMD SOCKET 257 POS
0 PLC ± 1 PLC ±0.3 2 PLC ±0.15 3 PLC ±0.05 4 PLC ± ANGLES ±3 FINISH		PRODUCT SPEC - APPLICATION SPEC - WEIGHT -	SIZE A2
MATERIAL		CUSTOMER DRAWING	DRAWING NO C=2319757
		SCALE 3:1	RESTRICTED TO -
		SHEET 2 OF 3	REV A1

X-ON Electronics

Largest Supplier of Electrical and Electronic Components

Click to view similar products for IC & Component Sockets category:

Click to view products by TE Connectivity manufacturer:

Other Similar products are found below :

[0066-3-17-15-30-14-02-0](#) [670](#) [672](#) [673](#) [694-13-640-00-672-000](#) [712-93-120-41-001000](#) [714-93-104-31-018000](#) [8059-4G1-LF](#) [807-22-001-10-001101](#) [807-22-001-10-006101](#) [807-22-001-30-011101](#) [807-22-001-30-012101](#) [807-22-001-30-013101](#) [807-22-001-30-014101](#) [8-1437531-4](#) [8150-6P10](#) [833-93-034-10-001000](#) [851-41-006-10-001000](#) [851-43-008-20-001000](#) [851-43-014-20-001000](#) [851-93-006-20-001000](#) [851-93-010-20-001000](#) [853-43-020-10-001000](#) [86.010.0053.0](#) [116-43-308-41-007000](#) [PX-68LCC](#) [121-13-318-41-001000](#) [121-13-320-41-001000](#) [121-13-308-41-001000](#) [123-43-314-41-801000](#) [123-43-420-41-001000](#) [122-13-316-41-001000](#) [123-13-624-41-001000](#) [123-43-306-41-001000](#) [12-3513-11](#) [123-91-320-41-001000](#) [126-43-310-41-002000](#) [AKSUN 37V-T](#) [1437503-9](#) [1437504-1](#) [146-44-308-41-013000](#) [146-43-308-41-012000](#) [160-10-308-00-001000](#) [160-40-320-00-001000](#) [214-99-306-01-670800](#) [232-1270-02-0602](#) [2-382761-4](#) [2-5331677-4](#) [2-640360-3](#) [2801-2-00-50-00-00-07-0](#)