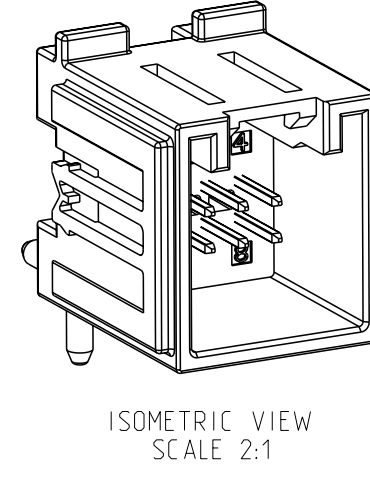
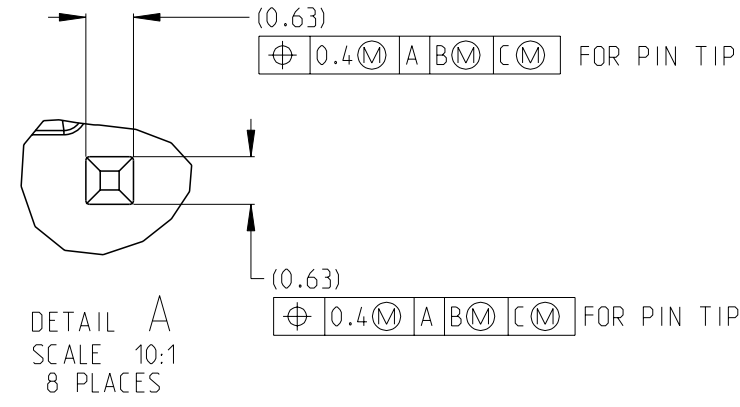
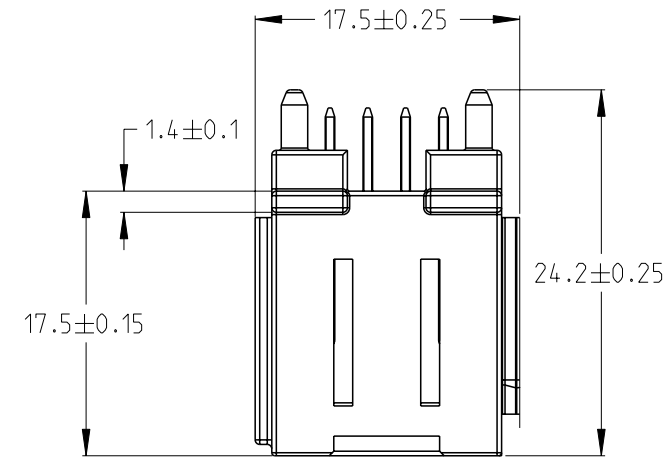
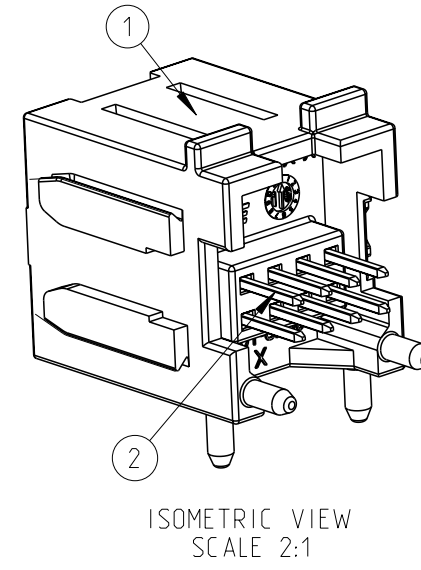
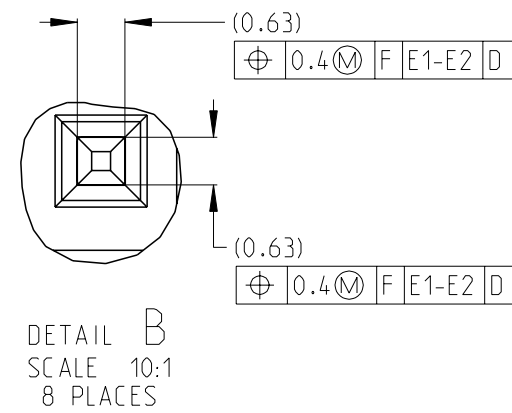
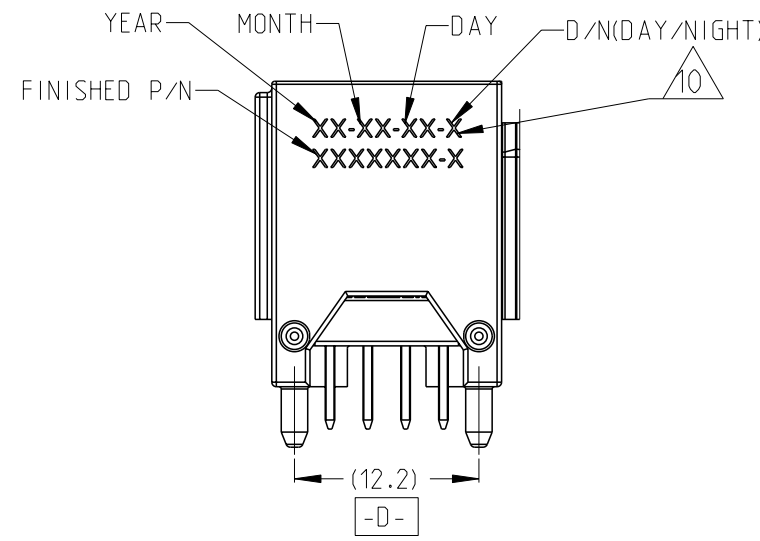
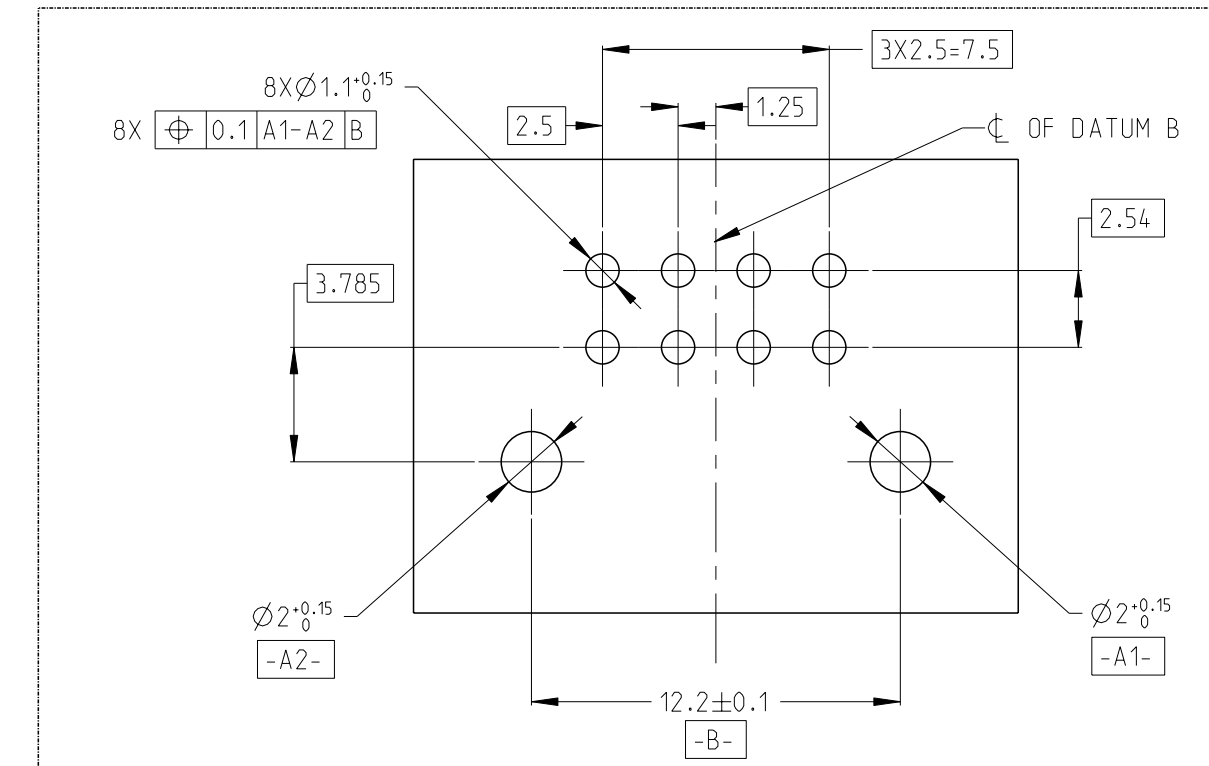
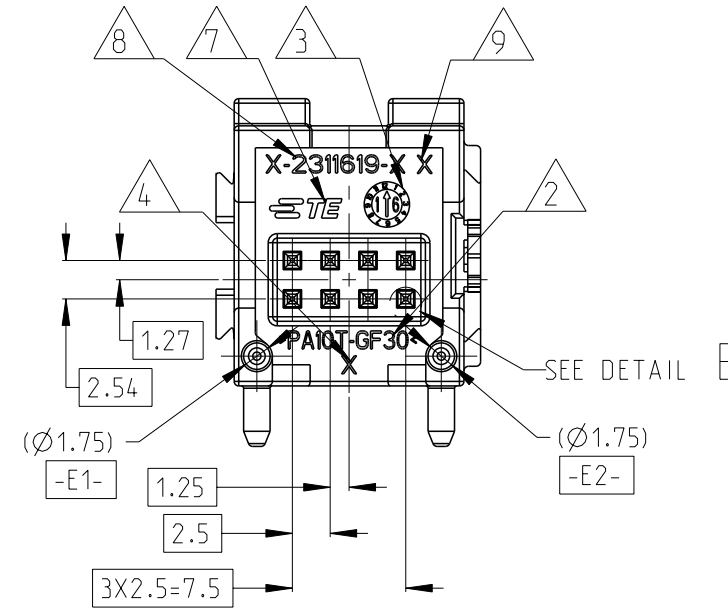
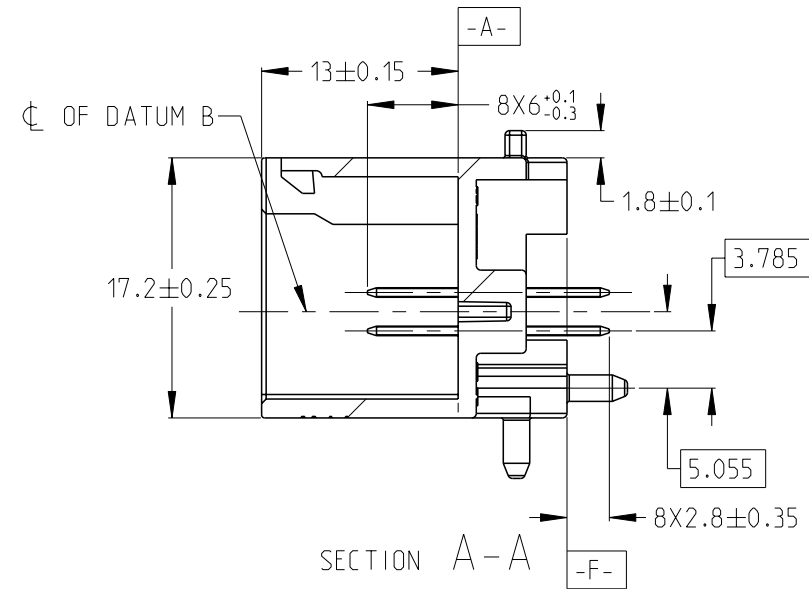
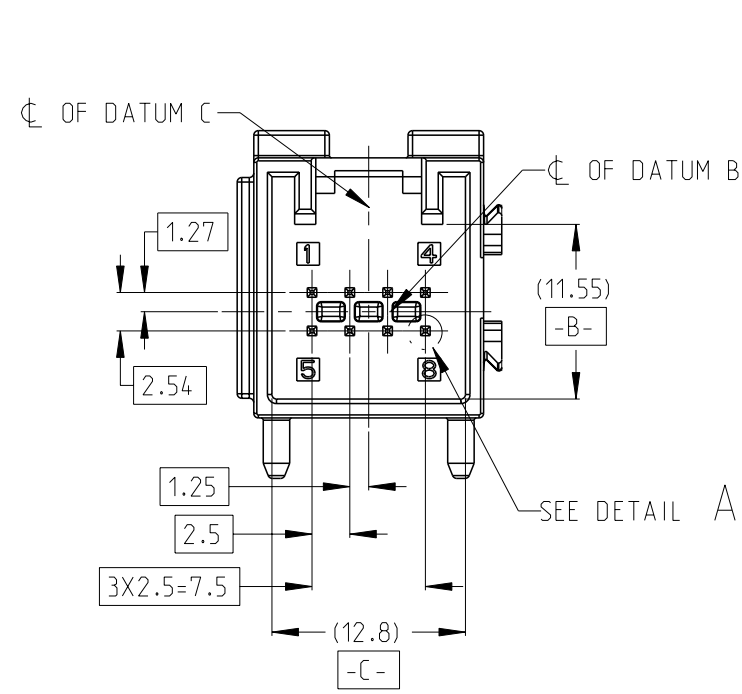


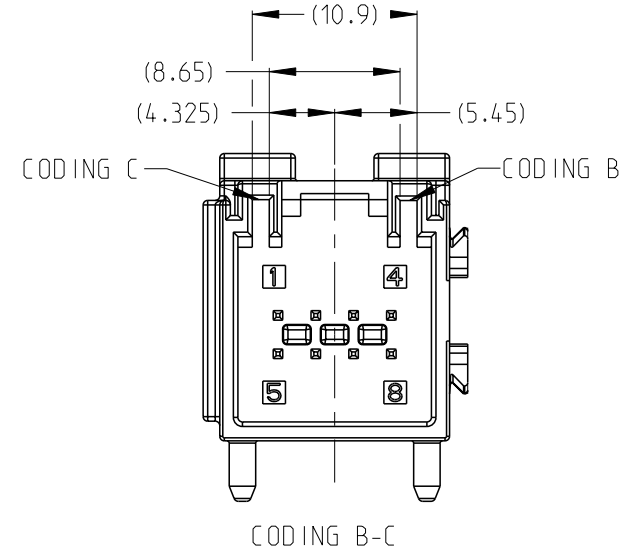
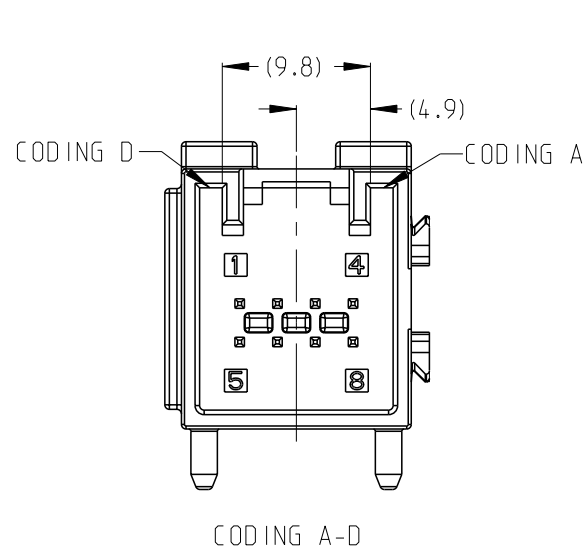
REVISIONS				
P	LTR	DESCRIPTION	DATE	DWN APVD
A2		ECR-18-008704	13JUL18	K.W W.W
A3		ECR-20-010329	27JUL20	K.W W.W
A4		ECN-23-192592	05JAN23	Y.Y J.Z
A5		ECN-23-196290	01FEB23	C.J J.Z



- 1 PLASTIC MATERIAL: PA10T OR SPS  
SQ PIN MATERIAL: CuZn30  
PLATING SPEC: TIN OVER NICKEL
- 2 MATERIAL MARKING
- 3 PLASTIC HOUSING PRODUCTION MONTH CLOCK
- 4 TOOL CAVITY MARKING 1.2.3.4...
- 5. PRODUCT OPERATION TEMPERATURE RANGE: -40°C -105°C
- 6. SUITABLE MATING CONNECTOR: 2322346
- 7 TE-LOGO
- 8 TE SEMIFINISHED PART NUMBER
- 9 TE SEMIFINISHED PART REVISION
- 10 PRODUCT ASSEMBLY DATA INFORMATION



16 WAY CODINGS



TE P/N	CODING	TRAY	QTY	DESCRIPTION	MATERIAL	COLOR/FINISH	ITEM NO
1-2320179-4	A-D	DIM:330*210*28.3mm	8	0.63 SQ PIN	CuZn30	Sn OVER Ni	2
			1	8 WAY HOUSING	PA10T OR SPS	BLACK	1
1-2320179-3	A-C	DIM:340*210*25.5mm	8	0.63 SQ PIN	CuZn30	Sn OVER Ni	2
			1	8 WAY HOUSING	PA10T OR SPS	GREEN	1
1-2320179-2	B-C	DIM:340*210*29mm	8	0.63 SQ PIN	CuZn30	Sn OVER Ni	2
			1	8 WAY HOUSING	PA10T OR SPS	BROWN	1
1-2320179-1	A-D	DIM:340*210*29mm	8	0.63 SQ PIN	CuZn30	Sn OVER Ni	2
			1	8 WAY HOUSING	PA10T OR SPS	BLACK	1
2320179-4	B-D	DIM:375*275*31mm	8	0.63 SQ PIN	CuZn30	Sn OVER Ni	2
			1	8 WAY HOUSING	PA10T OR SPS	BULE	1
2320179-3	A-C	DIM:375*275*31mm	8	0.63 SQ PIN	CuZn30	Sn OVER Ni	2
			1	8 WAY HOUSING	PA10T OR SPS	GREEN	1
2320179-2	B-C	DIM:375*275*31mm	8	0.63 SQ PIN	CuZn30	Sn OVER Ni	2
			1	8 WAY HOUSING	PA10T OR SPS	BROWN	1
2320179-1	A-D	DIM:375*275*31mm	8	0.63 SQ PIN	CuZn30	Sn OVER Ni	2
			1	8 WAY HOUSING	PA10T OR SPS	BLACK	1

THIS DRAWING IS A CONTROLLED DOCUMENT. DWN K.WEI 12MAY2017  
 CHK E.JIANG 21JUL2017  
 APVD J.YIN 26JUL2017

DIMENSIONS: mm TOLERANCES UNLESS OTHERWISE SPECIFIED:  
 0-PLC ±  
 1-PLC ±0.1  
 2-PLC ±0.01  
 3-PLC ±0.001  
 4-PLC ±0.0001  
 ANGLES FINISH ±

MATERIAL 1

PRODUCT SPEC 108-101528  
 APPLICATION SPEC 114-101065  
 WEIGHT -

CUSTOMER DRAWING

NAME 8 WAY MQS PIN HEADER  
 SIZE A2 CAGE CODE - DRAWING NO C-2320179 RESTRICTED TO -  
 SCALE 2:1 SHEET 1 OF 1 REV A5

STE TE Connectivity

Printed on 1 Feb 2023 11:13 (China Standard Time) from TE510287

## X-ON Electronics

Largest Supplier of Electrical and Electronic Components

*Click to view similar products for [Headers & Wire Housings](#) category:*

*Click to view products by [TE Connectivity](#) manufacturer:*

Other Similar products are found below :

[0015917161](#) [0022155065](#) [57102-F02-18ULF](#) [58102-G61-06LF](#) [582553-1](#) [01.001.5753.1](#) [0050291907](#) [02.125.8002.8](#) [609-3404](#) [61062-3](#)  
[CSU011177004](#) [622-0430](#) [622-3653LF](#) [63453-116](#) [636-1030](#) [636-1427](#) [636-3427](#) [636-4007](#) [641938-9](#) [65495-038](#) [65692-001LF](#) [65781-018](#)  
[65781-047](#) [65817-010LF](#) [65817-015LF](#) [67095-007LF](#) [67601157](#) [68631-112](#) [68645-018](#) [699319-000](#) [70.362.1628.0](#) [70-4210](#) [70-4226B](#) [70-](#)  
[4853B](#) [71.350.2428.0](#) [733-134](#) [733-162](#) [760-3052](#) [MHR-64-VUAL](#) [80.063.4001.1](#) [800-90-001-10-001000](#) [801-43-002-10-013000](#)  
[801-43-006-10-002000](#) [803-43-024-10-001000](#) [803-93-012-10-001000](#) [8-1437020-4](#) [819-22-004-30-001101](#) [820-22-006-30-001101](#)  
[820-22-008-30-001101](#) [821-22-002-10-001101](#)