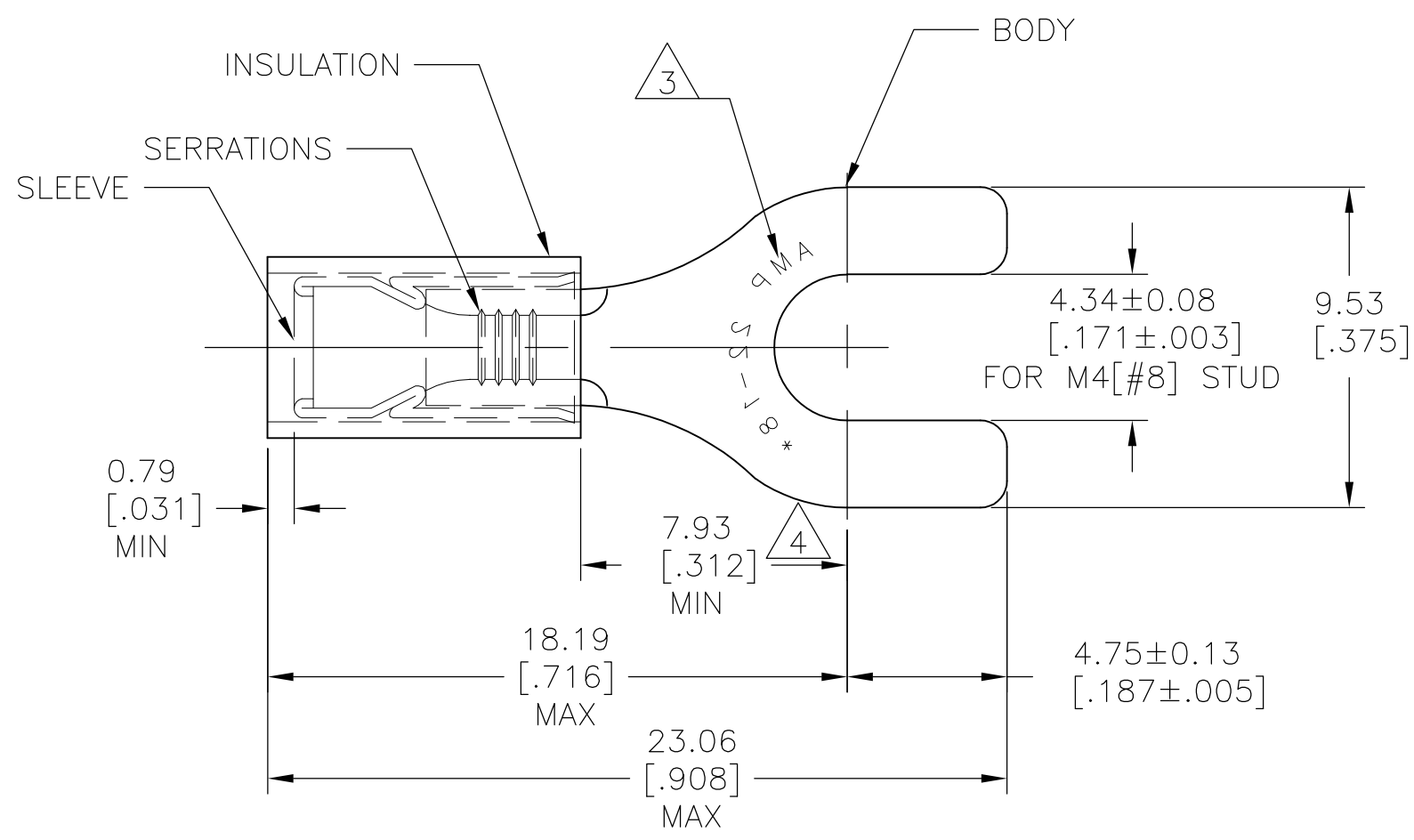


THIS DRAWING IS UNPUBLISHED. RELEASED FOR PUBLICATION  
 © COPYRIGHT - By - ALL RIGHTS RESERVED.

LOC	DIST	REVISIONS					
		P	LTR	DESCRIPTION	DATE	DWN	APVD
-	-		H2	NEW DRAWING PER ECO-11-019045	02APR12	KH	DR



<b>AMP</b> WIRE RANGE	Listed FILE E13288	LR7189 Certified
22-16 AWG STRANDED	22-16 AWG SOLID OR STRANDED	22-16 AWG SOLID OR STRANDED

- 1 FOR WIRE INSULATION DIA: 0.79±0.05[.031±.002]
- 2 TONGUE MATERIAL THK: 2.67[.105] TO 3.56[.140]
- 3 STAMP AMP 22-18\* APPROX AS SHOWN. 22-16 TERMINALS ARE STAMPED 22-18 IN ACCORDANCE WITH MILITARY SPEC SAE AS 7928, COMMERCIAL WIRE RANGE IS 22-16
- 4 DIMENSION APPLIES FROM EDGE OF METAL WIRE BARREL TO CENTER OF STUD.
- 5 MATERIAL:  
BODY&SLEEVE: COPPER PER ASTM B152  
INSULATION: NYLON.
- 6 FINISH:  
BODY&SLEEVE: TIN PLATE PER ASTM B545  
INSULATION: COLOR-RED

100	LOOSE PC, BOX	8-32053-1
5000	ON TAPE REEL	2-32053-1
1000	LOOSE PIECE	32053
QTY	PACKAGE TYPE	PART NO

## AMP INCORPORATED CUSTOMER SERVICE SYSTEMS

FOR ADDITIONAL PRODUCT INFORMATION OR COPIES OF DRAWINGS AND TECHNICAL DOCUMENTS  
 PRODUCT INFORMATION CENTER  
 1-800-522-6752

FOR APPLICATION TOOLING INFORMATION  
 TOOLING ASSISTANCE CENTER  
 1-800-722-1111

FOR ORDER ENTRY  
 1-800-526-5142

RECOMMENDED OPERATING TEMPERATURE:  
105°C [221°F]

VOLTAGE RATING:  
300V MAX

WIRE CROSS SECTIONAL AREA RANGE:  
0.26-1.65mm<sup>2</sup> [509-3260]  
SOLID OR STRANDED

THIS DRAWING IS A CONTROLLED DOCUMENT.

DIMENSIONS: mm [INCHES]	TOLERANCES UNLESS OTHERWISE SPECIFIED:
	0 PLC ± -
	1 PLC ± -
	2 PLC ± 0.20[.008]
	3 PLC ± -
	4 PLC ± -
	ANGLES ± -
MATERIAL	FINISH
5	6

DWN	KIRAN HOLAL	02APR12
CHK	ROHDE DANIEL	02APR12
APVD	ROHDE DANIEL	02APR12
PRODUCT SPEC	-	-
APPLICATION SPEC	-	-
WEIGHT	-	-

**STE** TE Connectivity

NAME: TERMINAL P.I.D.G.<sup>TM</sup> SPADE  
WIRE SIZE: 22-16

SIZE	CAGE CODE	DRAWING NO	RESTRICTED TO
A3	00779	C-32053	-

CUSTOMER DRAWING SCALE 8:1 SHEET 1 OF 1 REV H2

## X-ON Electronics

Largest Supplier of Electrical and Electronic Components

*Click to view similar products for [Terminals](#) category:*

*Click to view products by [TE Connectivity](#) manufacturer:*

Other Similar products are found below :

[00-054007-01074-6](#) [00-054007-70206-1](#) [00-054007-70210-8](#) [00-054007-70217-7](#) [00-054007-70226-9](#) [00-054007-70228-3](#) [00-054007-70248-1](#) [00-054007-70256-6](#) [00-054007-70301-3](#) [00-054007-70316-7](#) [0-0320562-0](#) [00-054007-49560-4](#) [00-054007-70209-2](#) [00-054007-70225-2](#) [00-054007-70227-6](#) [00-054007-70231-3](#) [00-054007-70241-2](#) [00-054007-70242-9](#) [00-054007-70244-3](#) [00-054007-70246-7](#) [00-054007-70263-4](#) [00-054007-70288-7](#) [00-054007-70290-0](#) [00-054007-70300-6](#) [00-054007-70304-4](#) [01-2065-1-0216](#) [01-2900-1-04412](#) [00581P0075](#) [600TS-10](#) [60205-1](#) [604200-1](#) [605601-1](#) [60598-1-CUT-TAPE](#) [61314-6-C](#) [61810-3](#) [61-S](#) [61-SN](#) [626-0194](#) [62-NBM-A](#) [62-SN](#) [62-SP](#) [63-S](#) [640179-1](#) [M55155/059I03](#) [M55155/079C01](#) [M55155/099H02](#) [M55155/109H01](#) [M55155/109H02](#) [M55155/12XH05](#) [M55155/16XH02](#)