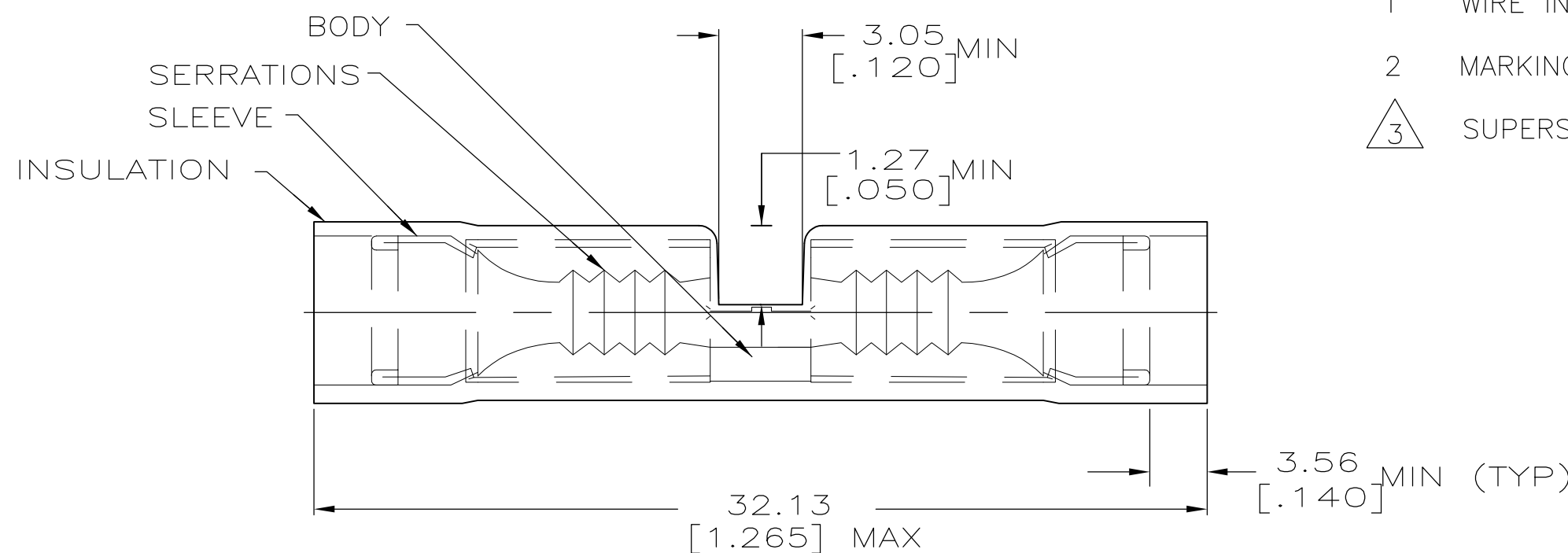


THIS DRAWING IS UNPUBLISHED. RELEASED FOR PUBLICATION  
 © COPYRIGHT - By - ALL RIGHTS RESERVED.

| LOC | DIST | REVISIONS |     |                           |         |     |      |
|-----|------|-----------|-----|---------------------------|---------|-----|------|
|     |      | P         | LTR | DESCRIPTION               | DATE    | DWN | APVD |
| G   | 14   |           | V2  | REVISED PER ECO-11-004587 | 11MAR11 | RK  | HMR  |

| 300 VOLT MAX                |                             |                             |
|-----------------------------|-----------------------------|-----------------------------|
| AMP WIRE RANGE              | UL Listed FILE E13288       | SR LR7189 Certified         |
| 22-16 AWG SOLID OR STRANDED | 22-16 AWG SOLID OR STRANDED | 22-16 AWG SOLID OR STRANDED |

| 600 VOLT MAX       |                       |                     |
|--------------------|-----------------------|---------------------|
| AMP WIRE RANGE     | UL Listed FILE E13288 | SR LR7189 Certified |
| 22-16 AWG STRANDED | 22-16 AWG STRANDED    | 22-16 AWG STRANDED  |



- 1 WIRE INSULATION DIA 2.03[.080] TO 3.18[.125]
- 2 MARKING 22-18 FOR MILITARY COMMERCIAL RANGE 22-16
- 3 SUPERSEDED BY 8-320559-2

| M7928/5-3 CLASS                             | QTY  | PACKAGE TYPE         | PART NO.                |
|---|------|----------------------|-------------------------|
| -   | 4000 | LOOSE PIECE, CTN     | 8-320559-6              |
| -   | 100  | LOOSE PIECE, BOX SPL | 8-320559-5              |
| -   | 5    | LOOSE PIECE, BLS     | 8-320559-4 <sup>3</sup> |
| -   | 50   | LOOSE PIECE, BOX     | 8-320559-2              |
| M7928/5-3 CLASS 2                           | 2500 | ON TAPE              | 2-320559-4              |
| M7928/5-3 CLASS 1 & 2                       | 50   | LOOSE PIECE          | 320559                  |
| MILITARY PART NUMBER & CLASS PER MIL-T-7928 | QTY  | PACKAGE TYPE         | PART NO.                |

|  |  |   |
|--|--|---|
| AMP INCORPORATED<br>CUSTOMER SERVICE SYSTEMS                                     |  | MAX RECOMMENDED OPERATING TEMPERATURE:<br>105°C [221°F]   |
| FOR ADDITIONAL PRODUCT INFORMATION OR COPIES OF DRAWINGS AND TECHNICAL DOCUMENTS | PRODUCT INFORMATION CENTER<br>1-800-522-6752 | VOLTAGE RATING:<br>600V MAX<br>(1000V MAX FIXTURE OR SIGN)  |
| FOR APPLICATION TOOLING INFORMATION  | TOOLING ASSISTANCE CENTER<br>1-800-722-1111  | CIRCULAR MIL AREA:<br>0.26-1.65mm² [509-3260]   |
| FOR ORDER ENTRY  | 1-800-526-5142                               | THIS DRAWING IS A CONTROLLED DOCUMENT FOR AMP INCORPORATED. IT IS SUBJECT TO CHANGE AND THE CONTROLLING ENGINEERING ORGANIZATION SHOULD BE CONTACTED FOR THE LATEST REVISION. |

|  |  |                                |                    |                 |
|--|--|--------------------------------|--------------------|-----------------|
| THIS DRAWING IS A CONTROLLED DOCUMENT. |  | DWN S.S. GOULDEN 9-28-93       | TE Connectivity    |                 |
| DIMENSIONS: mm [INCHES]                |  | CHK R. HERSEY 9-28-93          |                    |                 |
| TOLERANCES UNLESS OTHERWISE SPECIFIED: |  | APVD M ELLIS 9-28-93           | NAME               |                 |
| 0 PLC ± -                              |  | PRODUCT SPEC                   | SPLICE, BUTT, PIDG |                 |
| 1 PLC ± -                              |  | APPLICATION SPEC               | WIRE SIZE: 22-16   |                 |
| 2 PLC ± 0.20[.008]                     |  | WEIGHT -                       | SIZE A3            | CAGE CODE 00779 |
| 3 PLC ± -                              |  | MATERIAL COPPER PER ASTM B-152 | DRAWING NO         | RESTRICTED TO   |
| 4 PLC ± -                              |  |                                | C-320559           |                 |
| ANGLES ± -                             |  | FINISH TIN PL PER ASTM B545    | SCALE 4:1          | SHEET 1 OF 1    |
| MATERIAL COPPER PER ASTM B-152         |  | FINISH TIN PL PER ASTM B545    | CUSTOMER DRAWING   | REV V2          |

## X-ON Electronics

Largest Supplier of Electrical and Electronic Components

*Click to view similar products for [Terminals](#) category:*

*Click to view products by [TE Connectivity](#) manufacturer:*

Other Similar products are found below :

[00-054007-01074-6](#) [00-054007-70206-1](#) [00-054007-70210-8](#) [00-054007-70217-7](#) [00-054007-70226-9](#) [00-054007-70228-3](#) [00-054007-70248-1](#) [00-054007-70256-6](#) [00-054007-70301-3](#) [00-054007-70316-7](#) [00-054007-49560-4](#) [00-054007-70209-2](#) [00-054007-70225-2](#) [00-054007-70227-6](#) [00-054007-70231-3](#) [00-054007-70241-2](#) [00-054007-70242-9](#) [00-054007-70244-3](#) [00-054007-70246-7](#) [00-054007-70263-4](#) [00-054007-70288-7](#) [00-054007-70290-0](#) [00-054007-70300-6](#) [00-054007-70304-4](#) [01-2065-1-0216](#) [01-2900-1-04412](#) [00581P0075](#) [600TS-10](#) [60205-1](#) [604200-1](#) [605601-1](#) [60598-1-CUT-TAPE](#) [61314-6-C](#) [61810-3](#) [61-S](#) [61-SN](#) [626-0194](#) [62-NBM-A](#) [62-SN](#) [62-SP](#) [63-S](#) [640179-1](#) [M55155/059I03](#) [M55155/079C01](#) [M55155/099H02](#) [M55155/109H01](#) [M55155/109H02](#) [M55155/12XH05](#) [M55155/16XH02](#) [M55155/29-5S](#)